

◆ Technical Data:

Model:PR-24DC-DA-R

GENERAL SPECIFICATIONS

Timers : 1024

Counters : 1024

Function Blocks: 1024

Operation temp.: -20°C-55°C

Storage:-40°C-70°C

Protection: IP20(Non-waterproof)

RTC accuracy : MAX ±2S/day

RTC Backup at 25 °C: 20 days

Program and settings Backup :10 years

Data Power-off retentivity: 10 years

Modify parameters via keypad LCD: yes

Dimensions: 133*90*61 (Unit: mm)

Certificate: CE

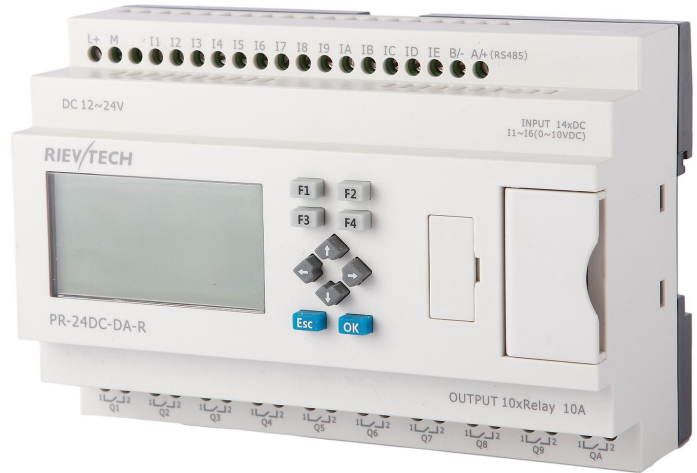
Installation: 35-DIN rail or screw for installation

Expansion capacity: 16 modules (PR-E-16)

Password protection : 4-digit number password protection or disable program upload function

Communication interface : 1 RS232 port & 2 RS485 port

Communication protocol : Modbus RTU/ASCII

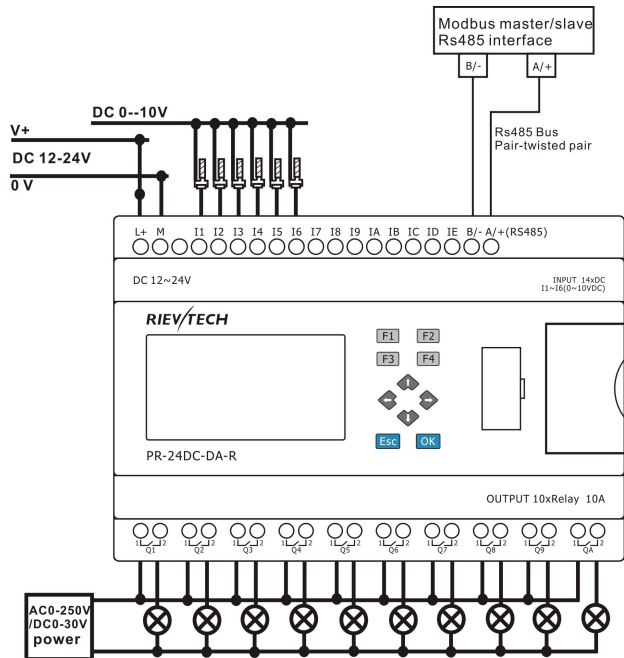
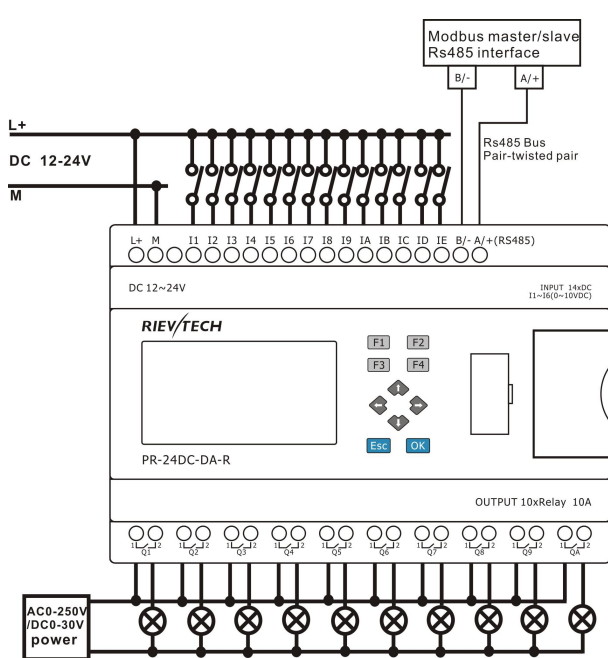
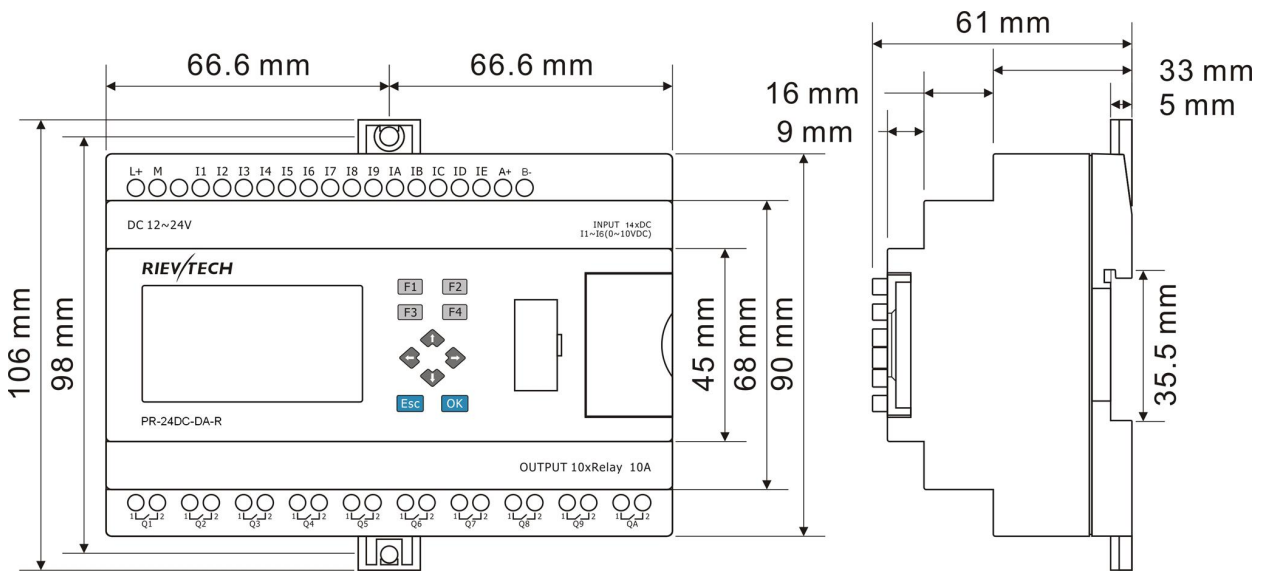


Technical Index

Power supply:	
Nominal voltage	DC 12-24V
Operating limits	DC 10.8-28.8V
Immunity from micro power cuts	Typ.5 ms
Max. Startup current	Max. 0.25A
Max. absorbed power	3.5 W (10.8V dc) ; 4 W (28.8V dc)
Protection against polarity inversions	Yes
Input parameters:	
Input No	14 (I1-IE)
Digital input	14 (I1-IE)
Analogue input	6 (I1-I6)(0..10V DC)
Digital inputs(I7-IE)	
Input voltage	DC0-28.8V
Input signal0	< 5V DC; <1mA
Input signal1	> 8 V DC;>1.7mA
Input current	2.3mA @ 10.8V dc 2.6mA @ 12.0 V dc 5.2 mA @ 24 V dc 6.3 mA @ 28.8 V dc
Response time	0 to 1 : <1 ms ; 1 to 0 : <1 ms
Maximum counting frequency	60k Hz(I9--IC)

Sensor type	Contact or 3-wire PNP
Input type	Resistive
Isolation between power supply and inputs	None
Isolation between inputs	None
Inputs used as digital inputs(I1-I6)	
Input voltage	DC0-28.8V
Input signal0	< 5V DC;<0.1mA
Input signal1	> 8 V DC;>0.3mA
Input current	0.4mA @ 10.8V dc 0.5mA @ 12.0 V dc 1.2mA @ 24 V dc 1.5mA @ 28.8 V dc
Response time	0 to 1 : Typ. 1.5 ms ; 1 to 0 : Typ. 1.5 ms
Maximum counting frequency	Typ.: 4 HZ
Sensor type	Contact or 3-wire PNP
Input type	Resistive
Isolation between power supply and inputs	None
Isolation between inputs	None
Inputs used as analog inputs(I1-I6)	
Measurement range	DC 0---10V
Input impedance	Min, 24K Ω ; Max. 72K Ω
Input voltage	28.8 V DC max
Resolution	10bit ,0.01V
Accuracy at 25 °C	\pm (Max.0.02)V
Accuracy at 55 °C	\pm (Max.0.04)V
Isolation between analog channel and power supply	None
Cable length	10 m max. shielded and twisted
Output parameters:	
Output No.	10(Q1-QA)
Output type	Relay output
Max. Allowable Power Force(Resistive)	CE: 10A,250V AC/DC30V UL/CUL:10A,250V AC; 5A, DC28V
Electrical durability Expectancy	10 ⁵ Operations at Rated Resistive Load
Mechanical life	10 ⁷ Operations at No Load condition
Response time	Operate Time : 15 mSec. Max. Release Time : 10 mSec. Max.
Built-in protections	Against short-circuits: None Against overvoltages and overloads: None
Switch frequency:	
Mechanism	10Hz
Resistor/light load	2Hz
Sensitive load	0.5Hz
Other parameters:	
Weight	Approx.500g

Installation Dimensions & Wiring Diagram



SYSTEM					
Operating System requirements		Windows /2000/XP/WIN7/WIN8			
Programming languages		Function block			
Program Memory		1024			
Execution Speed		<0.1ms per function			
LCD Display		4 lines x 16 characters			
Functions		Up to 70 function blocks			
BASIC					
Timers					
Maximum Number	1024				
Timing Ranges	10ms--99 h59m				
Counters					
Maximum Number	1024				
Highest Count	99999999				
Resolution	1				
RTC					
Number available	1024				
Resolution	1 min				
Time span available	Week/year-month-day-hour-min				
Flags					
Digital flags	256				
Analog flags	256				
PI Functions					
Number available	30				
Parameter Ranges	1-32767				
Analog Math					
Number available	1024				
Function	ADD, Subtract,Multiply, Divide				
Analog Ramp Function					
Number available	55				
Compare Function					
Number available	1024				
Special Functions					
HMI Screens					
Number available	128				
Display/Edit	Preset Current value and Free text				
PWM Functions					
Number available	1024, (2 fast output for Transistor)				
Communication Functions					
Number available	1024(Only CPU works as Master need these 2 blocks, slave does not need)				
Word/bit data Conversion	Square Boot Sin/Cos				
Data-logger Function	Analog watchdog Analog filter				
Pumps Management	Defrost function Multiplexer				
Cam Control	Astronomical clock Stop watch				

Note: 1.Not all program functions are listed in this table i.e. AND,NAND,OR,NOT,NOR,XOR,SHIFT REGISTER,DATA LATCHING RELAY, COMPORT STATUS etc.