





R-H

Handhold Laser Marking Machine R-H

[Inquiry](#)



Handhold Laser Marking Machine R-H

Online    

- ③ The laser head can leave the body to move autonomously, and the focus can be marked by manual adjustment.
- ④ Unique air cooling system, do not need water cooling machine, reduce energy consumption

Technical Parameters

Model
Working Area
Laser Power
Marking line speed
Minimum Line Width
Minimum Character
Working voltage
Repeatability Accuracy
R-H
100*100mm / 200*200mm
20w/30w/50w
≤7000mm/s
0.02mm
0.15mm*0.15mm
220V/50HZ, 110V/60HZ
±0.01mm

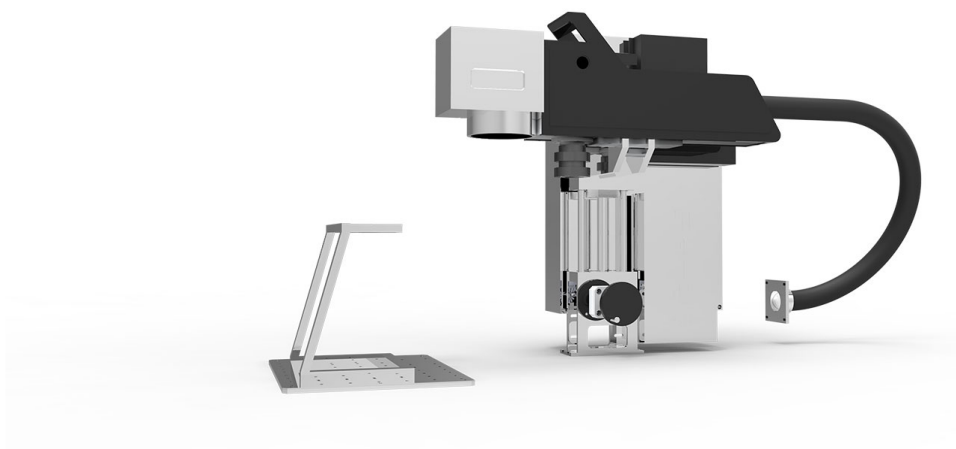
Above data is only for reference



Online

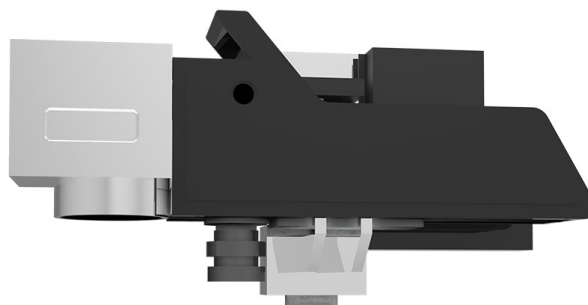


Small volume, easy to carry.
No consumables, more flexible use.



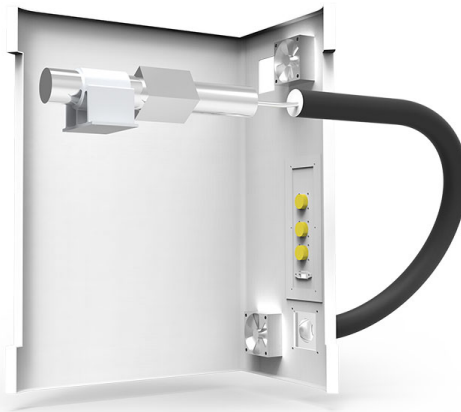
Small body, big energy

Fastener design beautiful, durable.
Cooperate with high-speed galvanometer, faster.



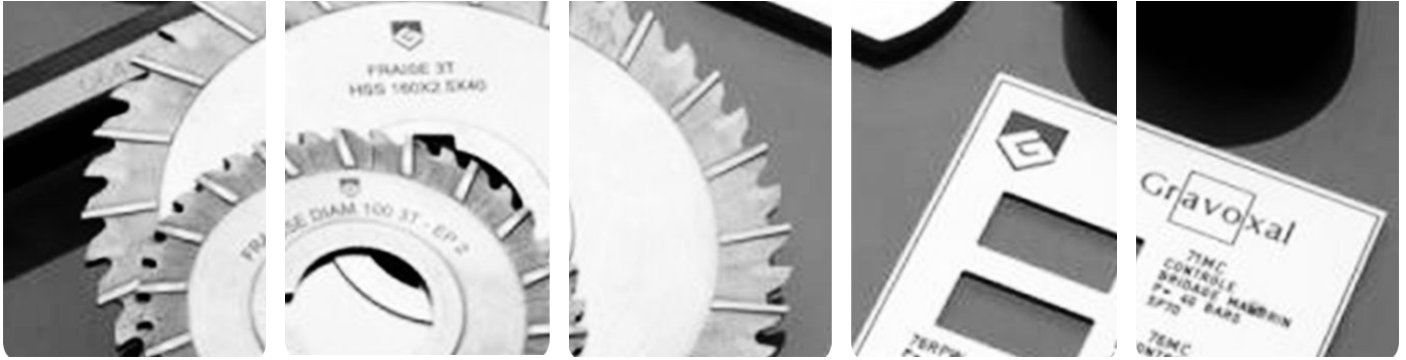
and manually implements focal length control

The laser head can leave the body to move autonomously, and the focus can be marked by manual adjustment.



Automatic focal length control

Unique air cooling system,
do not need water cooling machine, reduce energy consumption



Application

OREE -- R-H metal laser marking machine can process most metal materials.
Mainly used in electronic components,
hardware products, tools accessories, integrated circuits (IC),
electrical appliances, mobile phone communication,
precision instruments and other industries.

PROVIDE THE BEST CUSTOMER EXPERIENCE.

- **Onekey** : smart tag.
- **Automatic door**
automatic marking machine closes the door before turning on the machine,
and the automatic door is finished before marking;
- **Protection of European standards+4**
- **Flexible text**

Online



- **IO operation**

more convenient IO operation, easier to coordinate auxiliary equipment;

- **Open language support system**

making it easier to run software on various language platforms.

- **Scanning galvanometer**

SCANLAB, Germany.

- **Laser protective glass**

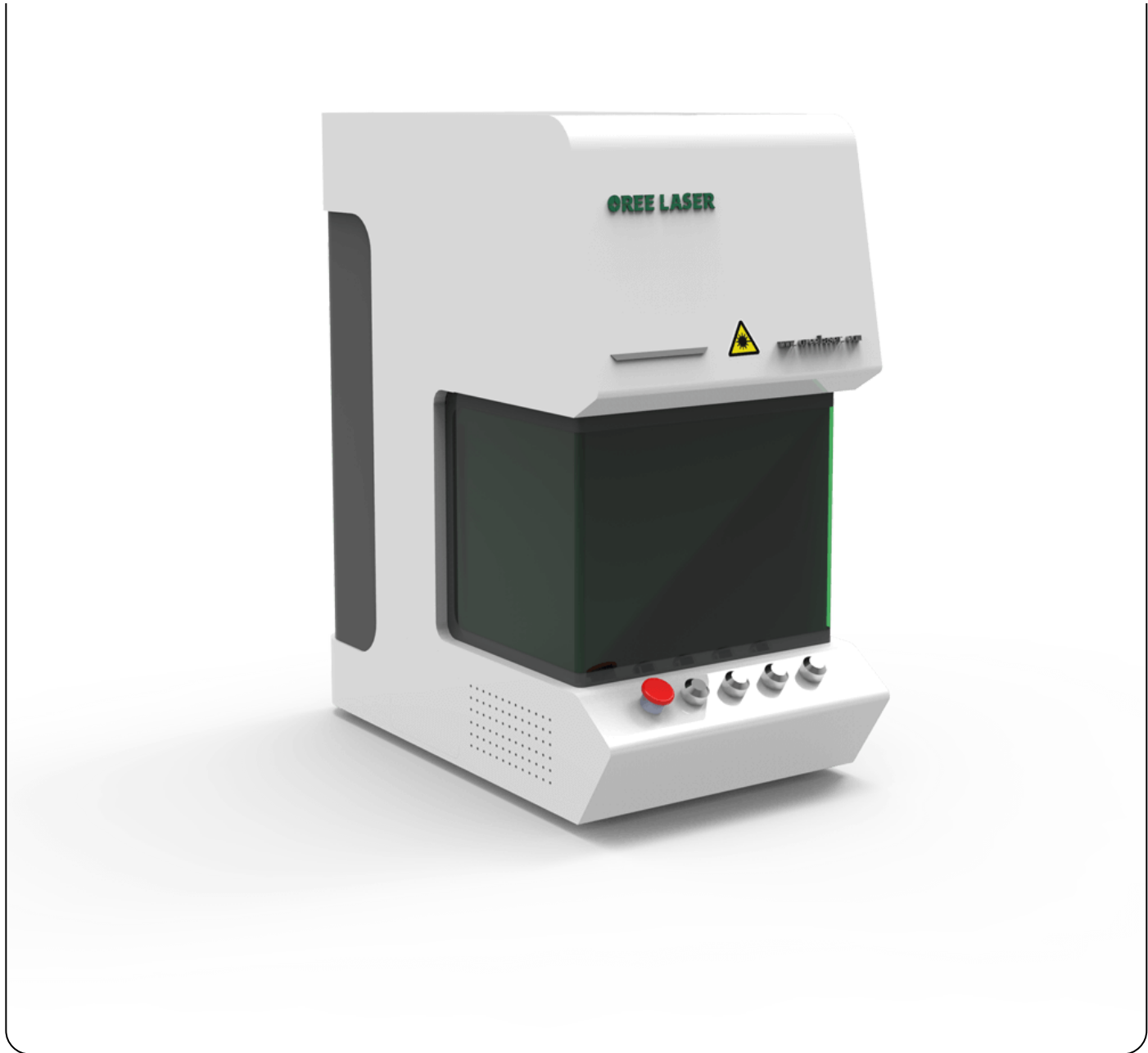
Protect eyes, radiation and dust.

- **LED light**

high energy efficiency and long life.

Simple and quick installation

USB with any computer, installation.



PROTECTIVE LASER FIBER MARKING MACHINE R-P



HANDHOLD LASER FIBER MARKING MACHINE R-H



DESKTABLE LASER FIBER MARKING MACHINE R-T

Name

Country

*Phone

*Email

Content

Online





PRODUCTS



COMPANY



VIDEO



CONTACT US

☎ TEL : +86-531-88983665

📍 ADD : NO.19-1, Jiyang Street Industry Park, Jinan, China

✉ E-MAIL : sales@oreelaser.com
service@oreelaser.com

العربية Русский Español Português 日本語 한국어 简体中文 繁体中文

Online