

GERNERAL SPECIFICATIONS

Step Angle(Accuracy)----- 1.8°(±5%)
 Resistance Accuracy ----- ±10%
 Inductance Accuracy ----- ±20%
 Temperature Rise ----- 80°C Max.
 Ambient Temperature ----- -10°C~50°C
 Insulation Resistance ----- 100Mohm Min, 50VDC
 Dielectric Strength ----- 500VAC for one minute
 Shaft Radial Play ----- 0.06Max. (450 g-load)
 Shaft Axial Play ----- 0.08Max.(450 g-load)

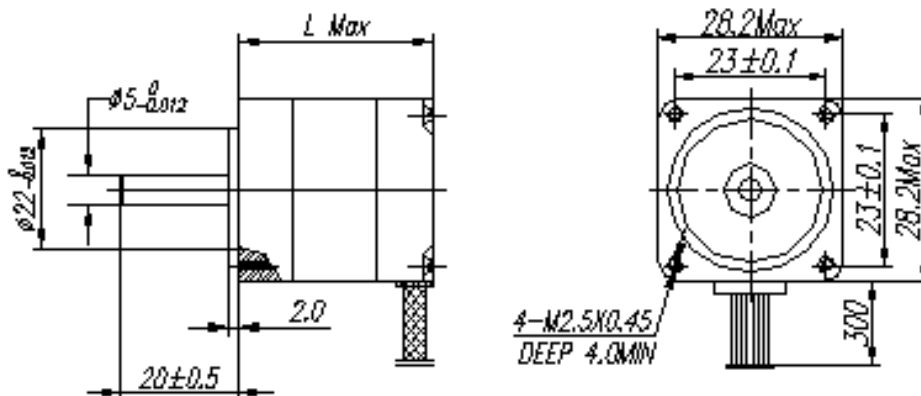
Picture



Electrical Specification

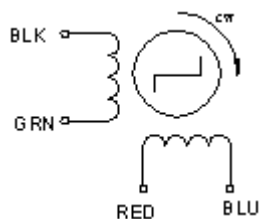
Series Model	Step Angle (°)	L (mm)	Rated Current (A)	Phase Resistance (Ω)	Phase Inductance (mH)	Holding Torque (N.cm)	Detent Torque (N.cm)	Lead Wire (NO.)	Motor Weight (g)
H281-00506	1.8	28	0.6	4.2	2.2	4.5	0.3	4	105
H281-00504	1.8	28	0.35	12	5.8	4.5	0.3	4	105
H281-00606	1.8	33	0.6	5.5	3.2	6.0	0.4	4	110
H281-00604	1.8	33	0.35	15	9.2	6.0	0.4	4	110
H281-00806	1.8	41	0.6	7.0	6.0	8.0	0.5	4	140
H281-00804	1.8	41	0.35	20	15	8.0	0.5	4	140
H281-01006	1.8	50	0.6	9.0	7.2	10	0.8	4	180
H281-01004	1.8	50	0.35	24	18.5	10	0.8	4	180

Mechanical Dimensions



Standard Leadwire Configuration

BI-POLAR(4 LEADS)



Complementary Products:

- Special shaft
- Encoders
- Connector
- Long leadwires