

HYBRID STEPPER MOTOR H606 (60mm) – 1.2° /step, 3 Phase

GERNERAL SPECIFICATIONS

Resistance Accuracy ----- $\pm 10\%$
 Inductance Accuracy ----- $\pm 20\%$
 Temperature Rise ----- 80°C Max.
 Ambient Temperature ----- $-10^{\circ}\text{C} \sim 50^{\circ}\text{C}$
 Insulation Resistance ----- 100Mohm Min, 50VDC
 Dielectric Strength ----- 500VAC for one minute
 Shaft Radial Play ----- 0.06Max. (450 g-load)
 Shaft Axial Play ----- 0.08Max.(450 g-load)

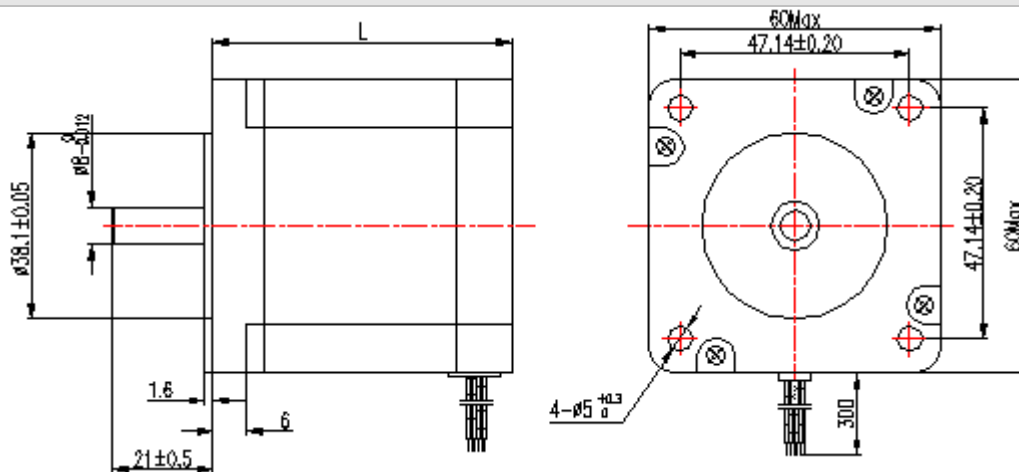
Picture



Electrical Specification

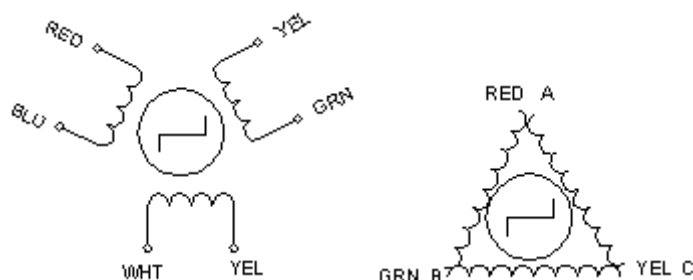
Series Model	Step Angle (°)	L (mm)	Rated Current (A)	Phase Resistance (Ω)	Phase Inductance (mH)	Holding Torque (N.cm)	Detent Torque (N.cm)	Lead Wire (NO.)	Motor Weight (g)
H606-08035	1.2	54	3.5	0.8	1.8	80	3.5	3	580
H606-08046	1.2	54	4.6	0.5	0.8	80	3.5	3	580
H606-11035	1.2	64	3.5	1.0	2.5	110	5.0	3	850
H606-11046	1.2	64	4.6	0.7	1.2	110	5.0	3	850
H606-13035	1.2	76	3.5	1.2	3.2	130	6.5	3	1150
H606-13046	1.2	76	4.6	0.8	1.5	130	6.5	3	1150
H606-16035	1.2	90	3.5	1.5	4.5	160	8	3	1400
H606-16046	1.2	90	4.6	1.0	2.5	160	8	3	1400

Mechanical Dimensions



Standard Leadwire Configuration

3 LEADS



Complementary Products:

- Special shaft
- Encoders
- Connector
- Long leadwire