

Brushless DC Servo Motor

D426(42mm)

Application

CNC Machine, Machine center, Robot, Spaceflight, War Industry, Artificial Limb

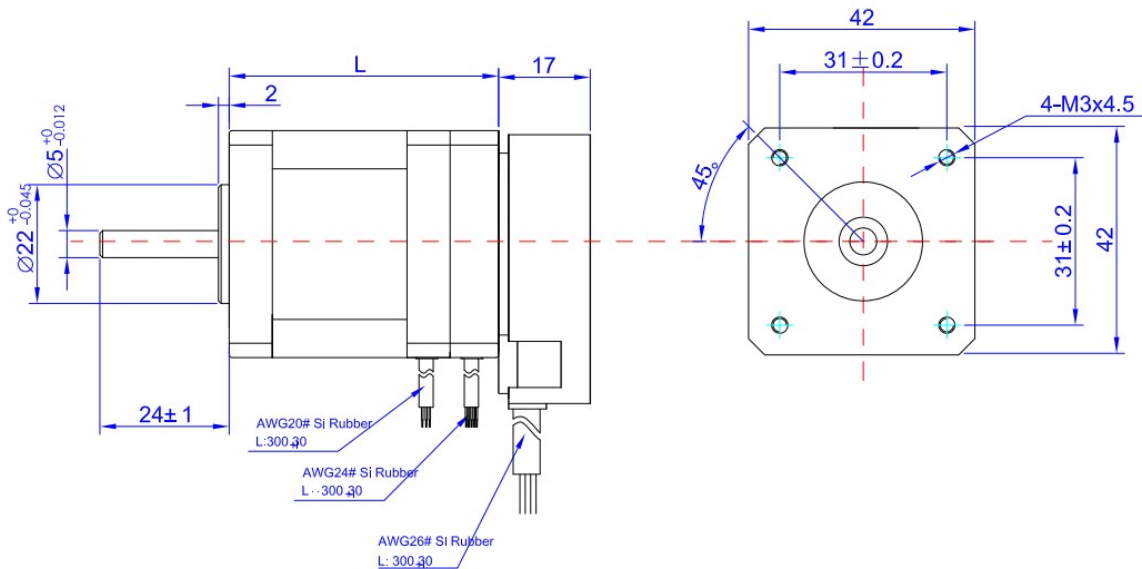
Complementary Products:

High reduction ratios with concentric shafts
Very low backlash and vibration

Picture



Mechanical Dimensions



Specification

Model	Rated power	Rated voltage	Current	Number of poles	Rated speed	Rated torque	Peak torque	Moment constant	Length	Weight	Encoder
	W	V	A		rpm	N. m	N. m	N. m/A	mm	Kg	p/k
D426-01016	32	24	1.56	8	3000	0.1	0.3	0.057	50	0.45	1000
D426-02040	64	24	4	8	3000	0.2	0.6	0.057	69	0.55	1000