

DC GEAR MOTOR D372-03070+Encoder

Application

Financial apparatus, Accessory of automobile, Mini mechanism.

Complementary Products:

- Customize shaft
- Add leadwire for motor
- Special designed motor

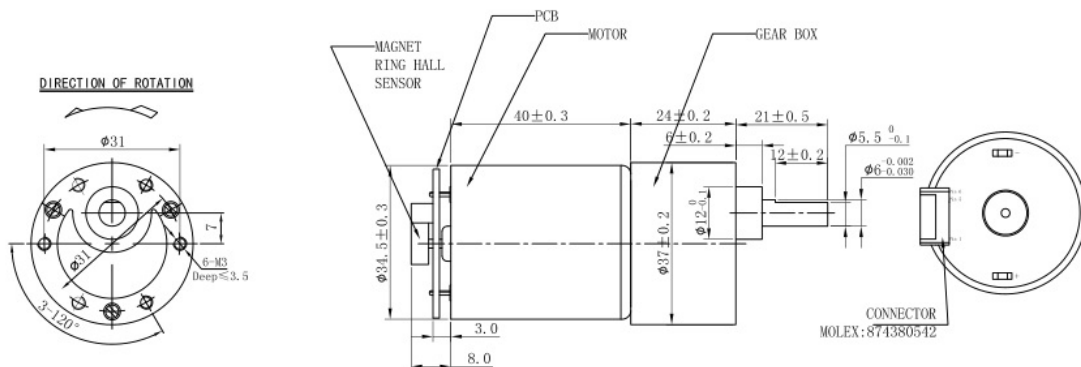
Picture



Specification

MODEL	VOLTAGE V	NO LOAD		Rated Load			Gear Ratio	STALL	
		SPEED rpm	CURRENT A	SPEED rpm	TORQUE Kg.cm	CURRENT A		TORQUE Kg.cm	CURRENT mA
D372-03070+Encoder	24.0	71	0.08	62	3.0	0.2	1:70	16	1.2

Mechanical Dimensions



Encoder Connection

Encoder Connecting:

1. MOTOR+
2. MOTOR-
3. HALL SENSOR Vcc
4. HALL SENSOR GND
5. HALL SENSOR A Vout
6. HALL SENSOR B Vout