

HYBRID STEPPER MOTOR H862(86mm) – 0.9° /step, 2/4 Phase

GERNERAL SPECIFICATIONS

Resistance Accuracy ----- $\pm 10\%$
 Inductance Accuracy ----- $\pm 20\%$
 Temperature Rise ----- 80°C Max.
 Ambient Temperature ----- $-10^{\circ}\text{C} \sim 50^{\circ}\text{C}$
 Insulation Resistance ----- 100Mohm Min, 50VDC
 Dielectric Strength ----- 500VAC for one minute
 Shaft Radial Play ----- 0.06Max. (450 g-load)
 Shaft Axial Play ----- 0.08Max.(450 g-load)

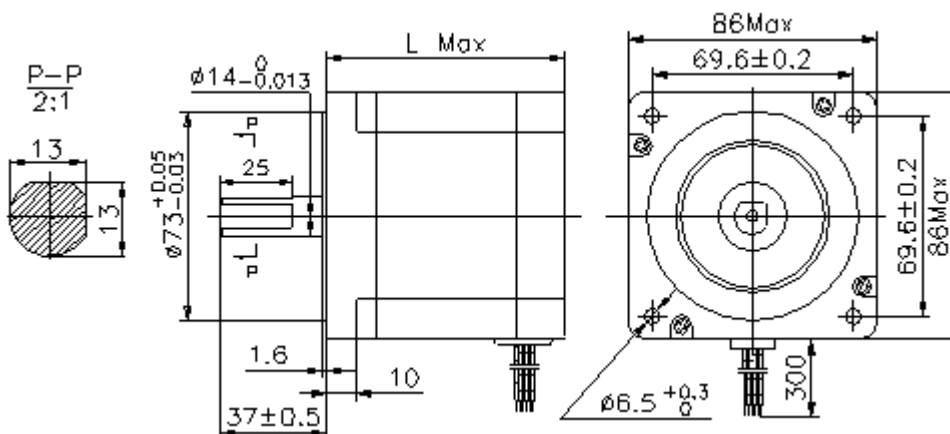
Picture



Electrical Specification

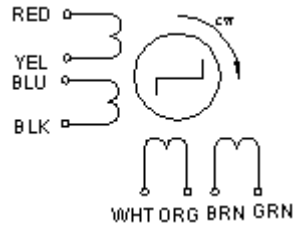
Series Model	Step Angle (o)	L (mm)	Rated Current (A)	Phase Resistance (Ω)	Phase Inductance (mH)	Holding Torque (N.cm)	Detent Torque (N.cm)	Lead Wire (NO.)	Motor Weight (kg)
H862-20040	0.9	66	4.0	0.6	1.6	200	5.0	8	2.0
H862-20050	0.9	66	5.0	0.4	1.0	200	5.0	8	2.0
H862-20027	0.9	66	2.7	1.2	3.5	200	5.0	8	2.0
H862-27040	0.9	78	4.0	0.7	3.0	270	5.8	8	2.5
H862-27050	0.9	78	5.0	0.5	1.8	270	5.8	8	2.5
H862-27027	0.9	78	2.7	1.6	5.6	270	5.8	8	2.5
H862-45040	0.9	98	4.0	0.98	4.1	450	8.5	8	3.0
H862-45050	0.9	98	5.0	0.65	2.4	450	8.5	8	3.0
H862-45027	0.9	98	2.7	1.9	8.6	450	8.5	8	3.0
H862-52040	0.9	114	4.0	1.1	5.5	520	11.0	8	3.5
H862-52050	0.9	114	5.0	0.75	3.2	520	11.0	8	3.5
H862-52027	0.9	114	2.7	2.0	11.5	520	11.0	8	3.5
H862-58040	0.9	126	4.0	1.3	5.8	580	16.5	8	1.8
H862-58050	0.9	126	5.0	0.85	3.4	580	16.5	8	1.8
H862-58027	0.9	126	2.7	2.5	12.5	580	16.5	8	1.8
H862-78040	0.9	150	4.0	1.4	9.2	780	20.5	8	4.2
H862-78050	0.9	150	5.0	0.9	5.2	780	20.5	8	4.2
H862-78027	0.9	150	2.7	2.9	17.5	780	20.5	8	4.2

Mechanical Dimensions



Standard Leadwire Configuration

UNI/BI-POLAR(8 LEADS)



Complementary Products:

- Special shaft
- Encoders
- Connector
- Long leadwire