



# 18SW100-8

18in Subwoofer

## Features

- 4in Voicecoil
- High Sensitivity



### Specifications

Nominal Diameter	460mm (18in)
Nominal Power (AES) <sup>1</sup>	1000W
Program Power <sup>2</sup>	2000W
Sensitivity (1W/1m) <sup>3</sup>	97dB
Voice Coil Diameter	100mm (4in)
Magnet Material	Neodymium
Nominal Impedance	8Ω
Frequency Range	40 - 3500Hz

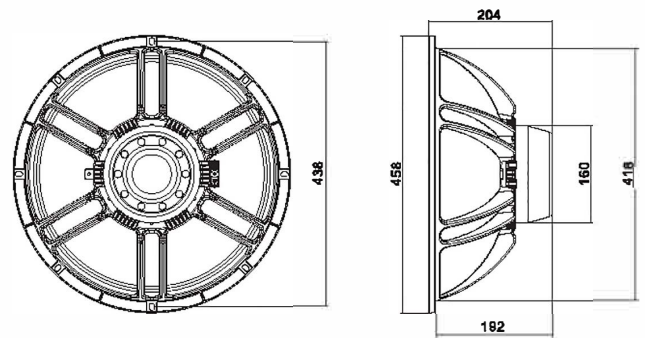
### Thiele & Small Parameters

Fs	39.6Hz
Qes	0.37
Qts	0.36
Qms	12.1
Re	5.2Ω
Sd	1207cm <sup>2</sup>
Vas	143L
BxL	28.4Tm
Mms	230.5g
Le (1kHz)	1.7mH
Xmax (lin.) <sup>4</sup>	±6mm

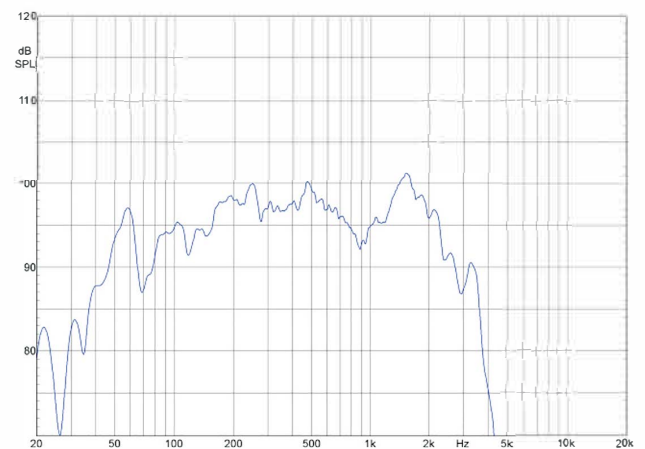
### Mounting Information

Overall Diameter	458mm
Mounting Holes Diameter	8x 12mm x 8mm
Bolt Circle Diameter	438mm
Baffle Cutout	420mm
Overall Depth	204mm
Net Weight	8.7kg

**Notes:** 1 2 hours test with pink noise (6dB crest) between Fs and 10Fs. Power calculated on rated minimum impedance.  
 2 Program Power is defined as 3dB greater than the AES Power  
 3 RMS Voltage set to 2.83V at nominal impedance  
 4 Xmax is defined as (Hc - Hg)/2



Frequency response measured in a vented enclosure with 130l, tuned at 40Hz



Impedance for 8Ω driver

