

# HYBRID STEPPER MOTOR

H572(57mm) – 0.9°/step, 2/4 Phase

## GERNERAL SPECIFICATIONS

Step Angle(Accuracy )----- 0.9°(±5%)  
 Resistance Accuracy ----- ±10%  
 Inductance Accuracy ----- ±20%  
 Temperature Rise ----- 80°C Max.  
 Ambient Temperature ----- -10°C~50°C  
 Insulation Resistance ----- 100Mohm Min, 50VDC  
 Dielectric Strength ----- 500VAC for one minute  
 Shaft Radial Play ----- 0.06Max. (450 g-load)  
 Shaft Axial Play ----- 0.08Max.(450 g-load)

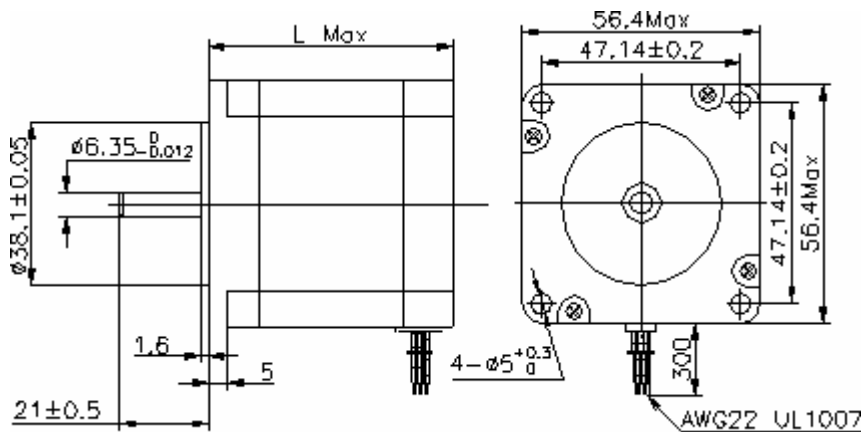
## Picture



## Electrical Specification

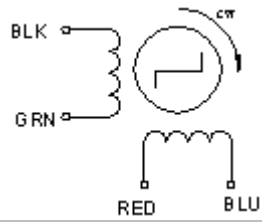
Series Model	Step Angle (°)	L (mm)	Rated Current (A)	Phase Resistance (Ω)	Phase Inductance (mH)	Holding Torque (N.cm)	Detent Torque (N.cm)	Lead Wire (NO.)	Motor Weight (g)
H572-02410	0.9	41	1.0	5.2	6.2	24	2.5	6	470
H572-03206	0.9	41	0.62	12	28	32	2.5	4	470
H572-03220	0.9	41	2.0	1.2	3.0	32	2.5	4	470
H572-06225	0.9	45	2.5	1.0	3.0	62	2.8	4	520
H572-07006	0.9	51	0.62	13	34	70	3.0	4	590
H572-07025	0.9	51	2.5	1.2	3.8	70	3.0	4	590
H572-08215	0.9	56	1.5	3.2	6.5	82	3.5	6	680
H572-10025	0.9	56	2.5	1.3	5.2	100	3.5	4	680
H572-10030	0.9	56	3.0	0.8	2.8	100	3.5	4	680
H572-10042	0.9	56	4.2	0.4	1.5	100	3.5	4	680
H572-11010	0.9	64	1.0	7.5	28	110	5.0	4	850
H572-11025	0.9	64	2.5	1.5	5.8	110	5.0	4	850
H572-11030	0.9	64	3.0	0.8	3.0	110	5.0	4	850
H572-11042	0.9	64	4.2	0.55	1.5	110	5.0	4	850
H572-12515	0.9	76	1.5	4.5	10	125	6.0	6	1050
H572-15025	0.9	76	2.5	1.8	8.2	150	6.0	4	1050
H572-15030	0.9	76	3.0	1.0	4.3	150	6.0	4	1050
H572-15042	0.9	76	4.2	0.65	2.2	150	6.0	4	1050

## Mechanical Dimensions

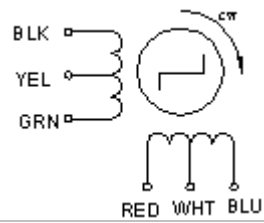


### Standard Leadwire Configuration

#### BI-POLAR(4 LEADS)



#### UNI-POLAR(6 LEADS)



### Complementary Products:

- Special shaft
- Encoders
- Connector
- Long leadwires