

Application

Mixer, Water-pump, Oil-pump, Air-pump and etc.

Picture



Characteristics

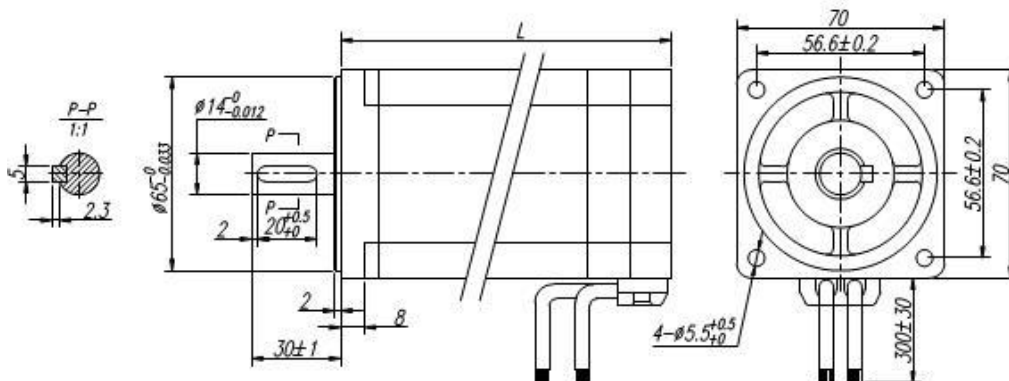
- Multi poles to increase the output torque
- Non-brush structure and long life design
- High torque density encapsulation
- High performance NdFeB magnet

Specification

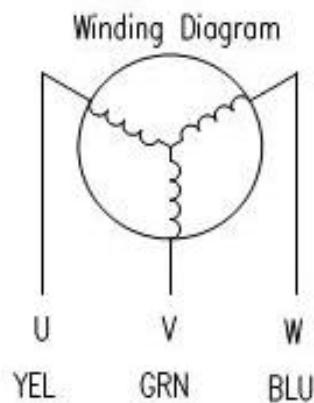
Model	Rated power	Rated voltage	Current	Number of poles	Rated speed	Rated torque	Peak torque	Moment constant	Length	Weight
	W	VDC	A		rpm	N. cm	N. cm	N. cm/A		
D705-05041	157	48	4.1	8	3000	50	150	12.2	99	1.34
D705-05012	157	310	1.2			50	150	42	99	1.34
D705-10085	314	48	8.5			100	300	11.7	129	1.98
D705-10025	314	310	2.5			100	300	40	129	1.98
D705-15036	471	310	3.6			150	450	41.6	159	2.63

*Note: We can customize the special speed, Voltage, Assembled size.

Mechanical Dimensions



Wiring Diagram



Holzer Sensor Wiring Diagram

