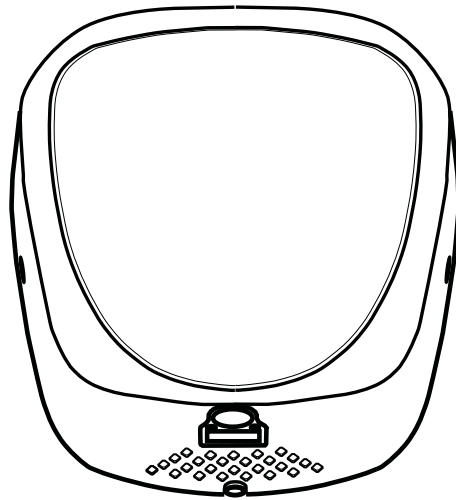


Stainless Steel Hand Dryer AK2901 Series



AK2901 Series



Feature

- 10-15 seconds dry time,quick dry for your hands
- 80% less energy than conventional hand dryers
- HEPA Filtration System proven to remove 99.97% of potentially bacteria
- Thickness 304 stainless steel one-piece molded cover,stable and durable
- Smart Heater adjust based on environment temperature, LED indicator
- CE/UL approval electric parts and overtime protection,quality and safe
- 45 s overtime protection and over heat protection

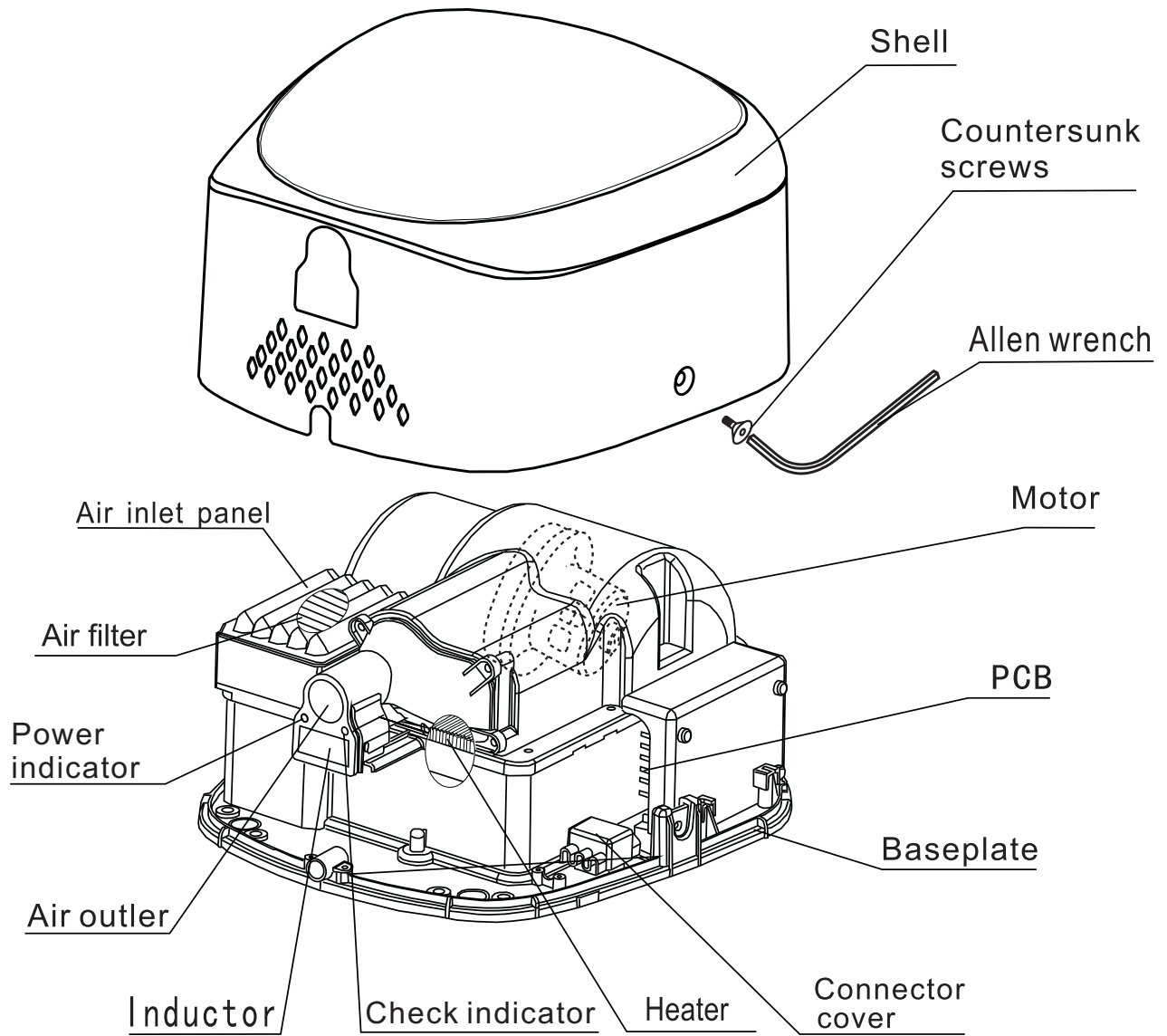
Customize your dryers' temperature:

1. When the room temperature is higher than 25°C, It blows normal temperature air (550W). When the room temperature is below 25°C, It blows warm air (1200W)
2. Remove the temperature sensor(Explanation in the instructions), It always blows warm air (1200W).

Specification

Model	AK2900/AK2901 EDSGJ €GD SGJ €H		
Appearance size	312x302x172mm		
N.W	4.1kg		
Voltage	AC100-130V/220-240V	Motor	Brush motor
Phase	Single-phase	Sensing distance	15-20cm
Input	1200-1450W	Protection class	IPX1
Heating power	650-750W	Wind speed	70m/s

Name of each part



Electrical diagram

