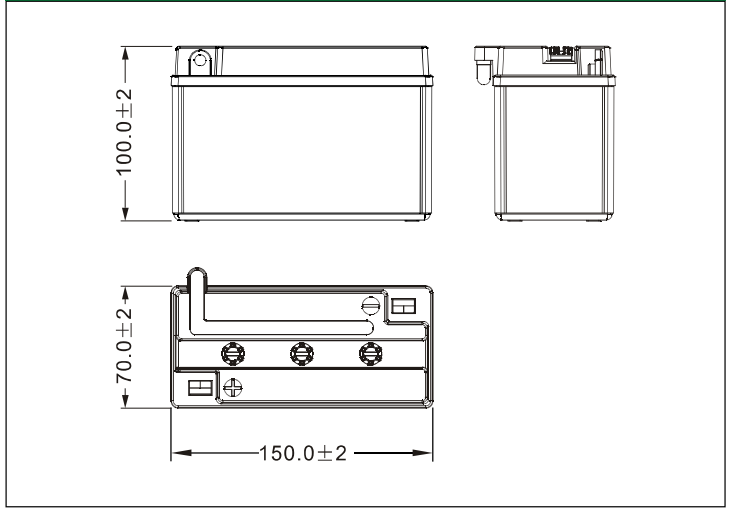


# Koyama®

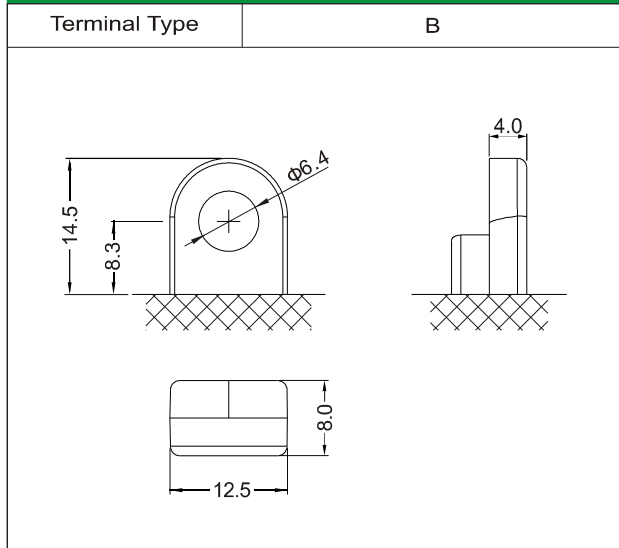
## 6LB11-2D [6V11Ah]



### Dimensions (mm)



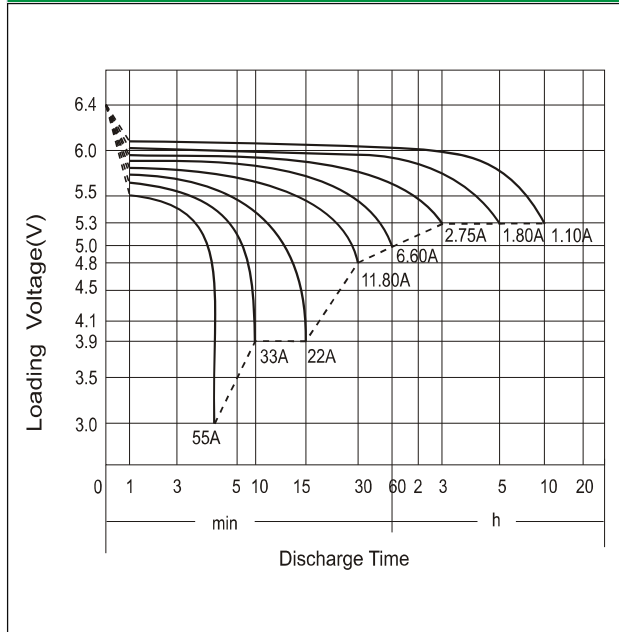
### Standard Terminal (mm)



### Physical Specification

Nominal Voltage	6V	
Nominal Capacity (10HR)	11AH	
Dimension	Length	150 ± 2mm (5.91 inches)
	Width	70 ± 2mm (2.76 inches)
	Container Height	100 ± 2mm (3.94 inches)
	Total Height (with Terminal)	100 ± 2mm (3.94 inches)
Weight	Battery(with acid): Approx 2.01kg (4.43lbs)	
	Electrolyte: Approx 0.54kg (1.19lbs)	
<ul style="list-style-type: none"> <li>* High performance and dry charged high quality and flooded battery</li> <li>* Low maintenance</li> <li>* Shipped without battery electrolyte pre-charged and ready to install</li> <li>* Replaces none battery</li> </ul>		

### Discharge Characteristics (25°C, 77°F)



### Electrical Specification

Rated Capacity	10 hour rate (1.10A)	11.00AH
	5 hour rate (1.80 A)	9.02AH
	2 hour rate (3.85 A)	7.70AH
	1 hour rate (6.60 A)	6.60AH
	0.5 hour rate (11.80 A)	5.94AH
Capacity affected by Temperature	40 °C (104 °F)	106%
	25 °C (77 °F)	100%
	0 °C (32 °F)	86%
	-15 °C (5 °F)	65%
Self Discharge	Approximately 12% per month (25°C (77°F))	
Charging Methods	Full Charge	Constant-Voltage Charge: Initial charging current: less than 3.3A Voltage: 7.20 V ~ 7.50 V at 25 °C (77 °F) Charging time: 16 ~24h Constant-Current Charge: Charging current: 1.1A, when charging voltage up to 7.80V, continue to charge 2h.
	Floating Charge	No limit on Initial charging current Voltage: 6.75 V ~ 6.90 V at 25 °C (77 °F)