

HP618F-1000W Compact FM Stereo Transmitter

HP618F-1000W is a compact FM stereo broadcasting transmitters. The advanced digital technologies, Digital Signal Processor (DSP) and Digital Direct Synthesizer (DDS), are used in the transmitters to get little size, high performance and high reliability. They are widely used for professional radio stations to transmit high quality FM radio programs.

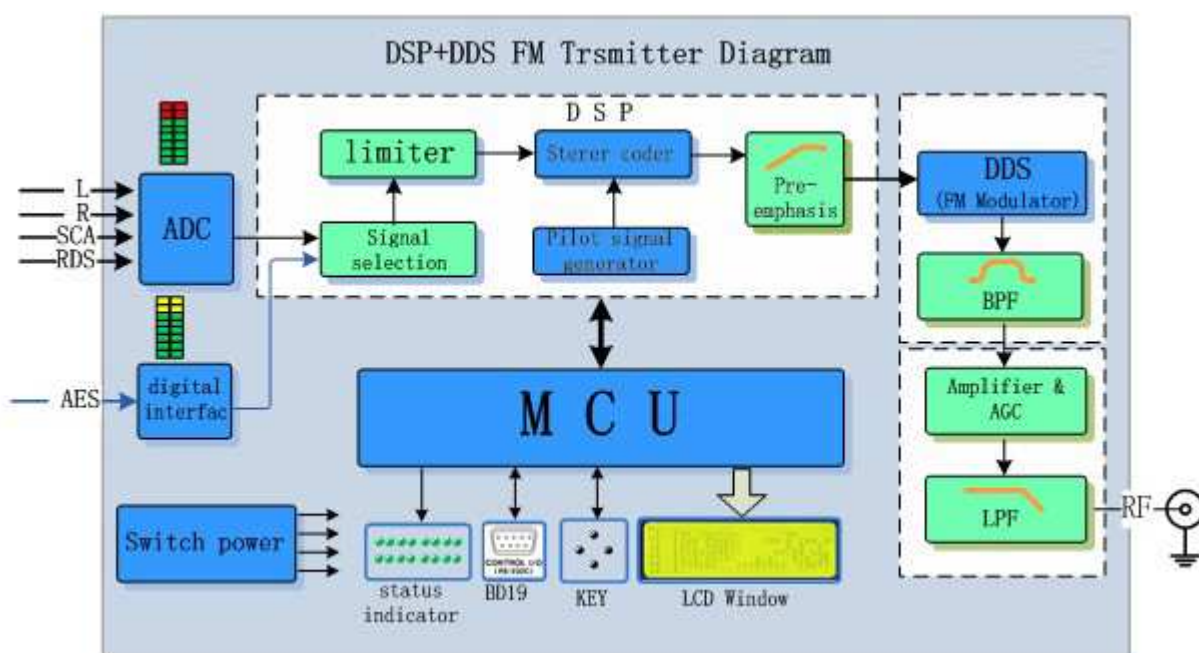


FEATURES

- Hearing similar to [CD](#)
- All-digital technologies [DSP+DDS](#)
- Built-in audio signal limiter
- Analog and digital ([AES/EBU](#)) audio signal input directly.
- [AGC](#) circuit can keep the Output Power stability.
- Big [LCD](#) display all the parameters in real time.
- Communication Interface by [RS232](#) for remote

- Five kinds of protections for the security
- Compact structure
- Stainless steel cabinet

HP618F-1000W FM Transmitter DIAGRAM



Technical Specifications:

- | | |
|---------------------------|--|
| 1. Frequency Range: | 87.0MHz~108.0MHz
Setting step 10KHz |
| 2. Output Power | 0~1000W |
| 3. Output power deviation | <± 10% |

4. Output power stability	<± 3%
5. Output Load Impedance	50Ω
6. RF Output Interface	7/16"(female)/ 7/8" Flange
7. SFDR	< -70dB
8. High Harmonic	< -65dB
9. Residual Amplitude Modulation	< -50dB
10. Carrier Frequency Precision	±200Hz
11. Analog Audio Input	-12dBm~+8dBm
12. Audio Input Level Gain	-15dB~+15dB, step 0.1dB
13. Audio Input Impedance	600Ω, Balance, XLR
14. AES / EBU input impedance	110Ω, Balance, XLR
15. AES / EBU input level	0.2 ~ 10Vpp
16. AES / EBU sample rate	30kHz ~ 96kHz
17. SCA Input	Unbalance (optional) BNC connector
18. Pre-emphasis	0μS, 50μS, 75μS (optional)
19. Audio Response	±0.1dB (30Hz~15000Hz)
20. LR channel level difference	<0.1dB (100% modulation)
21. Stereo Separation	≥50dB 30Hz ~ 15000Hz
22. Stereo S/N ratio	≥70dB 1KHz, 100% modulation
23. Distortion	<0.1% 30Hz~15000Hz
24. Cooling mode	Forced Convection
25. Temperature Range:	-10℃~+45℃
26. Relative humidity	<95%
27. Working Altitude	<4500m
28. Power Consumption:	3300VA
29. Size	3U, 19-inch standard 730mm×540mm×220mm
30. Weight	32KG