



SANWAY AUDIO

<https://www.china-sanway.com>

21ND127

21in Subwoofer

Features

- Carbon Fiber Cone
- 5in Sandwich Voicecoil
- Double Silicone Spider Design
- Neodymium Magnet
- Advanced Cooling System

Specifications

Nominal Diameter	530mm (21in)
Nominal Power (AES) ¹	1800W
Program Power ²	3600W
Sensitivity (1W/1m) ³	98dB
Voice Coil Diameter	127mm(5in)
Magnet Material	Neodymium
Nominal Impedance	8Ω
Frequency Range	36-1000Hz

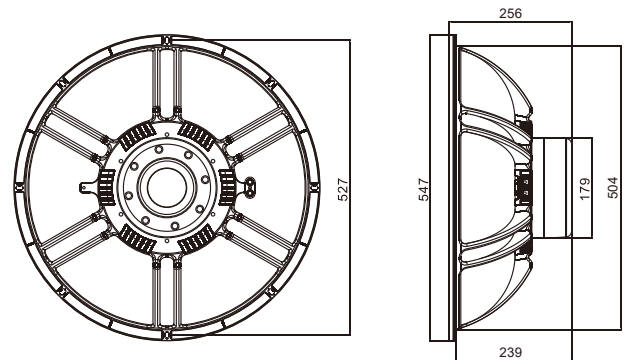
Thiele & Small Parameters

Fs	36.9Hz
Qes	0.53
Qts	0.49
Qms	5.63
Re	4.8Ω
Sd	1662cm ²
Vas	165.4L
BxL	26.7Tm
Mms	267.6g
Le (1kHz)	1.84mH
Xmax (lin.) ⁴	±9.5mm

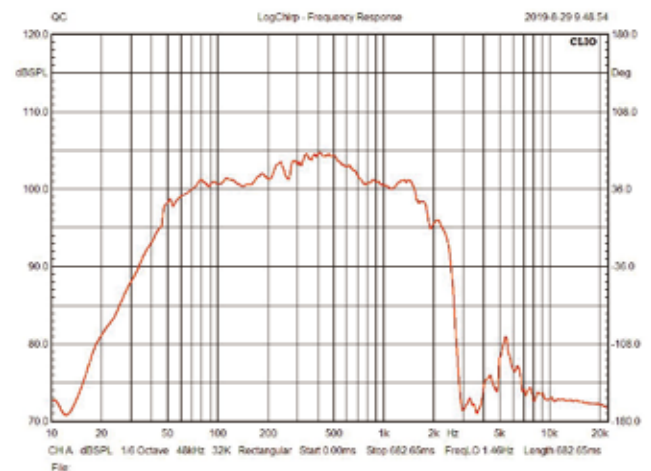
Mounting Information

Overall Diameter	547mm
Mounting Holes Diameter	7mm
Bolt Circle Diameter	527mm
Baffle Cutout	504mm
Overall Depth	256mm
Net Weight	15.26kg

Notes: 1 2 hours test with pink noise (6dB crest) between Fs and 10Fs. Power calculated on rated minimum impedance.
 2 Program Power is defined as 3dB greater than the AES Power
 3 RMS Voltage set to 2.83V at nominal impedance
 4 Xmax is defined as (Hc - Hg)/2



Frequency response measured in a quasi-infinite baffle



Impedance for 8Ω driver

