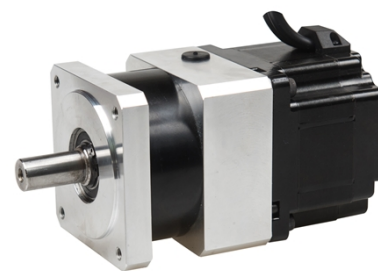
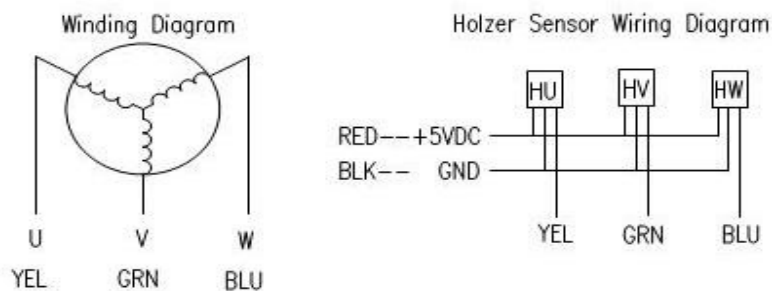
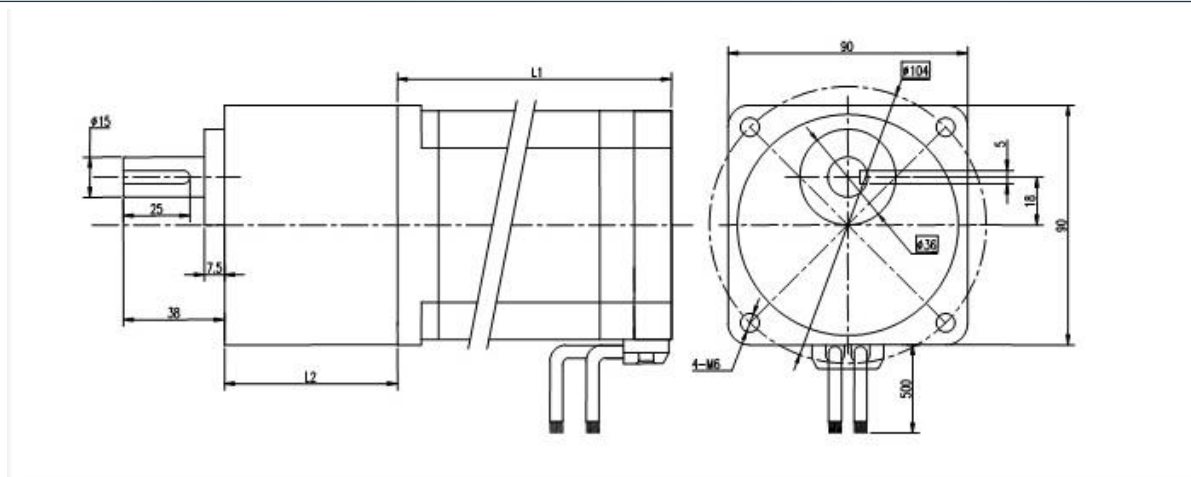


Wiring Diagram



Appearance Size & Motor Installation



Motor Electrical Specification

Motor Model	DG865-220W	DG865-310W
Rated Voltage(VDC)	48	48
Rated Speed(Rpm)	3000	3000
Rated Torque(N.m)	0.7	1.0
Rated Power(W)	220	310
L1 Length(mm)	66.5	80.5

Gearbox Electrical Specification

Reducer Series	1	2
Transmission efficiency	95%	90%
Max radial load	1000N	1000N
Max axial load	200N	200N
Transmission torque	100N.m	160N.m
Reduction Ratio	5,10	15,20,25,30,40,50
L2 Length(mm)	74	93

* Note: We can manufacture products according to customer's requirements.
Optional accessory is the encoder and brake to match this product.

* Contact sales@ichmo.com.