

# OWNER'S GUIDE

## 3P20M HYBRID STEPPER MOTOR DRIVER



3P20M  
STEPPER MOTOR DRIVER



©2020 by I.CH Motion Co.,Ltd..  
All Rights Reserved

# TECHNICAL DOCUMENT

## Content

1. Introduction .....	3
2. Feature .....	3
3. Specification.....	4
4. Operating Environment and Parameters .....	4
5. Definition of Pin Signal .....	5
6. Connections to Controller .....	7
7. Connecting the Motor .....	8
8. Power Supply Selection .....	8
9. Output Current and Microstep Resolution Settings.....	9
10. Wiring Notes .....	11
11. Typical Connection .....	11
12. Sequence Chart of Control Signals.....	12
13. Protection Functions.....	13
14. Frequently Asked Questions .....	14
15. Application .....	14

**Note:**if you have any problems,please  
email [sales@ichmo.com](mailto:sales@ichmo.com) to to contact us.



---

# TECHNICAL DOCUMENT

## 1. Introduction

These two 3 phase motor(3P20M) drivers can be used to drive 3 and 6 wire stepper motor, whose effect is like servo motor. These drivers have multiple subdivisions, range of current. If you have any interest, please contact us.

## 2. Feature

- Voltage can up to 50VDC
- Pulse frequency up to 300 kHz
- High cost-effective, ultra-noise
- Low heat
- TTL compatible input signal
- The Current automatically halved at rest
- Optical isolation differential signal input
- DIP switch current setting with 16 different values
- Current peak up to 8.3A

# TECHNICAL DOCUMENT

## 3. Specification

Parameters	3P20M			
	Min	Typical	Max	Unit
Output current	2.1	-	8.3(5.9 RMS)	A
Supply voltage	20	36	50	VDC
Logic signal current	7	10	16	mA
Pulse input frequency	0	-	300	kHz
Isolation resistance	500	-	-	MΩ

## 4. Operating Environment and Parameters

Cooling		Natural cooling or forced convection
Operating Environment	Environment	Avoid dust, oil frost and corrosive gas
	Ambient Temperature	0°C — +50°C
	Humidity	40%RH — 90%RH
	Operating Temperature	70°C
	Vibration	5.9m/s <sup>2</sup> Max
Storage Temperature		-20°C — +125°C
Weight		Approx. 280 gram (9.88 oz)

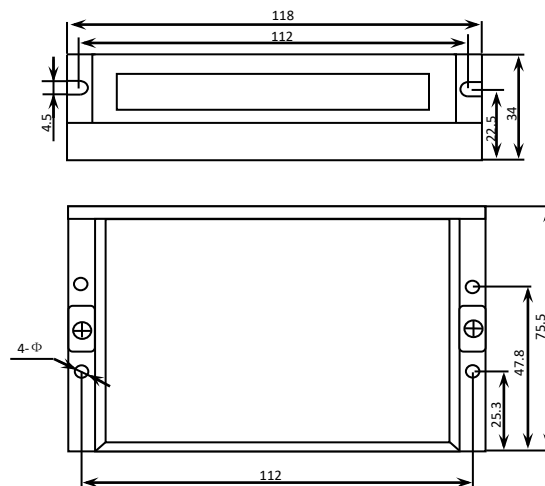


Figure 1: Mechanical Specifications

Recommend use side mounting for better heat dissipation.

# TECHNICAL DOCUMENT

## Elimination of Heat

- Driver's reliable working temperature should be  $<70^{\circ}\text{C}$ , and motor working temperature should be  $<80^{\circ}\text{C}$ ;
- Recommend use automatic idle-current reduction mode, namely current automatically be reduced to 60% when motor stops, so as to reduce driver heating and motor heating.

## 5. Definition of Pin Signal

The 3P20M has two connectors, connector P1 for control signals connections, and connector P2 for power and motor connections. The following tables are brief descriptions of the two connectors. More detailed descriptions of the pins and related issues are presented in section 4, 5, 9.

### Connector P1 Configurations

Pin Function	Details
PUL+(+5V)	Pulse signal: In single pulse (pulse/direction) mode, this input represents pulse signal, effective for each rising edge; 4-5V when PUL-HIGH, 0-0.5V when PUL-LOW. In double pulse mode (pulse/pulse), this input represents clockwise (CW) pulse, effective for high level. For reliable response, pulse width should be longer than $1.2\mu\text{s}$ . Series connect resistors for current-limiting when +12V or +24V used.
PUL-(PUL)	
DIR+(+5V)	DIR signal: In single-pulse mode, this signal has low/high voltage levels, representing two directions of motor rotation; in double-pulse mode (set by inside J1), this signal is counter-clock (CCW) pulse, effective for low level. For reliable motion response, DIR signal should be ahead of PUL signal by $5\mu\text{s}$ at least. 4-5V when DIR-HIGH, 0-0.5V when DIR-LOW.
DIR-(DIR)	
ENA+(+5V)	Enable signal: This signal is used for enabling/disabling the driver. High level (NPN control signal, PNP and Differential control signals are on the contrary, namely Low level for enabling.) for enabling the driver and low level for disabling the driver. Usually left UNCONNECTED (ENABLED).
ENA-(ENA)	



Notes: PUL/DIR mode is the default mode, and under-cover jumper J1 can be used to switch it to CW/CCW mode.

# TECHNICAL DOCUMENT

## Selecting CW/CCW or PUL/DIR Mode

There is a jumper J1 (including pin 1 to pin 9) inside the 3P20M specifically for selecting pulse signal mode. Settings for the one-pulse mode (PUL/DIR) and for the double-pulse mode (CW/CCW) are shown in the following figure. Default mode out of factory is PUL/DIR mode and effective at rising edge.

(a) PUL/DIR mode and effective at rising edge	(b) PUL/DIR mode and effective at falling edge
(c) CW/CCW mode and effective when the opto-coupler of the fixed level in conducting state	(d) CW/CCW mode and effective when the opto-coupler of the fixed level in off state

Notes: For (c), the user should move R137 (a 0Ω resistor) to R136 besides setting J1, and let R137 NC (open circuit).



## Connector P2 Configurations

Pin Function	Details
GND	DC power ground
VDC	DC power supply, +20VDC—+50VDC, Including voltage fluctuation and EMF voltage.
U	Motor phase U
V	Motor phase V
W	Motor phase W

Remark: Please note that motion direction is also related to motor-driver wiring matches.  
Exchanging the connections of two phases to the driver will reverse motor motion direction.

# TECHNICAL DOCUMENT

## 6. Connections to Controller

The 3P20M can accept differential and single-ended control signals (including open-collector, namely common-anode and PNP output, namely common-cathode). The 3P20M has 3 optically isolated logic inputs which are located on connector P1 to accept line driver control signals. These inputs are isolated to minimize or eliminate electrical noises coupled onto the control signals. It's recommended to use line driver control signals to increase noise immunity of the driver under an interference environment. Connections to open-collector and PNP signals are illustrated in the figure 3 and the figure 4.

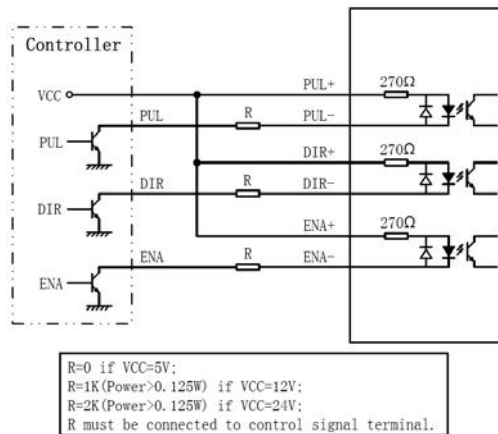


Figure 3: Connections to open-collector signal (common-anode)

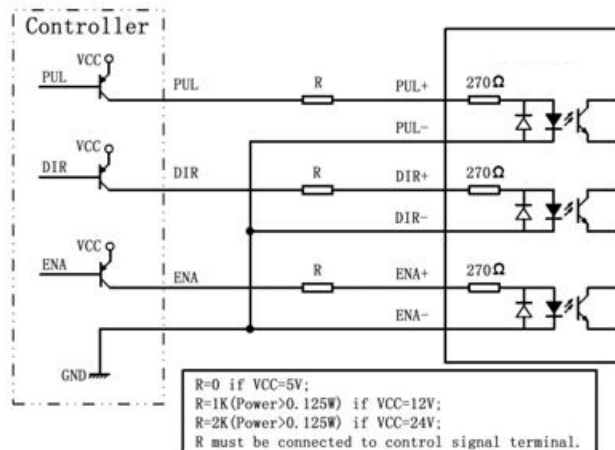


Figure 4: Connections to PNP signal (common-cathode)

# TECHNICAL DOCUMENT

## 7. Connecting the Motor

The connection between the driver and 3-phase stepping motors includes two different kinds of connections, namely delta-connection and star-connection. Using delta-connection, the performances of the motor under high speed condition are better, but the driver current is higher too (about 1.73 times the motor coil current); while using star-connection, the driver current equals to the motor coil current.

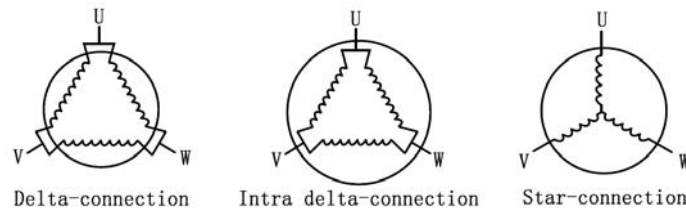


Figure 5: Motor connections

## 8. Power Supply Selection

The 3P20M can match medium and small size stepping motors (from NEMA size 17 to 34) made by I.CH Motion or other motor manufactures around the world. To achieve good driving performances, it is important to select supply voltage and output current properly. Generally speaking, supply voltage determines the high speed performance of the motor, while output current determines the output torque of the driven motor (particularly at lower speed). Higher supply voltage will allow higher motor speed to be achieved, at the price of more noise and heating. If the motion speed requirement is low, it's better to use lower supply voltage to decrease noise, heating and improve reliability.

### Regulated or Unregulated Power Supply

Both regulated and unregulated power supplies can be used to supply the driver. However, unregulated power supplies are preferred due to their ability to withstand current surge. If regulated power supplies (such as most switching supplies.) are indeed used, it is important to have large current output rating to avoid problems like current clamp, for example using 4A supply for 3A motor-driver operation. On the other hand, if unregulated supply is used, one may use a power supply of lower current rating than that of motor (typically 50% ~ 70% of motor current). The reason is that the driver draws current from the power supply capacitor of the unregulated supply only during the ON duration of the PWM cycle, but not during the OFF duration. Therefore, the average current withdrawn from power supply is considerably less than motor current. For example, two 3A motors can be well supplied by one power supply of 4A rating.

### Multiple Drivers

It is recommended to have multiple drivers to share one power supply to reduce cost, if the supply has enough capacity. To avoid cross interference, DO NOT daisy-chain the power supply input pins of the drivers. (Instead, please connect them to power supply separately.)



# TECHNICAL DOCUMENT

## Selecting Supply Voltage:

The power MOSFETS inside the 3L583M can actually operate within +18 ~ 50VDC, including power input fluctuation and back EMF voltage generated by motor coils during motor shaft deceleration. Higher supply voltage can increase motor torque at higher speeds, thus helpful for avoiding losing steps. However, higher voltage may cause bigger motor vibration at lower speed, and it may also cause over-voltage protection or even driver damage. Therefore, it is suggested to choose only sufficiently high supply voltage for intended applications, and it is suggested to use power supplies with theoretical output voltage of +24~+ 45V, leaving room for power fluctuation and back-EMF.

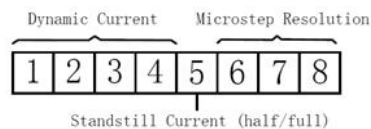
## 9. Output Current and Microstep Resolution Settings

### Current Setting

For a given motor, higher driver current will make the motor output more torque, but at the same time causes more heating in the motor and driver. Therefore, output current is generally set to be such that the motor will not overheat for long time operation. Phase current rating supplied by motor manufacturer is important in selecting driver current, however the selection also depends on leads and connections.

### DIP Setting for Dynamic Current

The 3P20M uses an 8-bit DIP switch to set motor dynamic current, standstill current and microstep resolution, as shown below:




The first four bits (SW1, 2, 3, 4) of the DIP switch are used to set the dynamic current. Select a setting closest to your motor's required current.

Peak current (A)	RMS (A)	SW1	SW2	SW3
2.1	1.5	OFF	OFF	OFF
2.5	1.8	ON	OFF	OFF
2.9	2.1	OFF	ON	OFF
3.2	2.3	ON	ON	OFF

# TECHNICAL DOCUMENT

3.6	2.6	OFF	OFF	ON	OFF
4.0	2.9	ON	OFF	ON	OFF
4.5	3.2	OFF	ON	ON	OFF
4.9	3.5	ON	ON	ON	OFF
5.3	3.8	OFF	OFF	OFF	ON
5.7	4.1	ON	OFF	OFF	ON
6.2	4.4	OFF	ON	OFF	ON
6.4	4.6	ON	ON	OFF	ON
6.9	4.9	OFF	OFF	ON	ON
7.3	5.2	ON	OFF	ON	ON
7.7	5.5	OFF	ON	ON	ON
8.3	5.9	ON	ON	ON	ON

 Notes: Due to motor inductance, the actual current in the coil may be smaller than the dynamic current settings, particularly under high speed condition.

## DIP Setting for Standstill Current

SW5 is used for this purpose. OFF meaning that the standstill current is set to be half of the selected dynamic current, and ON meaning that standstill current is set to be the same as the selected dynamic current. The current automatically reduced to 60% of the selected dynamic current 0.5 second after the last pulse when use automatic idle-current reduction mode. Theoretically, this will reduce motor heating to 36% (due to  $P=I^2 \cdot R$ ) of the original value.

# TECHNICAL DOCUMENT

## Microstep Resolution Setting

Microstep resolution is set by SW6, 7, 8 of the DIP switch as shown in the following table:

Steps/rev.	SW6	SW7	SW8
200	ON	ON	ON
400	OFF	ON	ON
500	ON	OFF	ON
1000	OFF	OFF	ON
2000	ON	ON	OFF
4000	OFF	ON	OFF
5000	ON	OFF	OFF
10000	OFF	OFF	OFF

## 10. Wiring Notes

- In order to improve anti-interference performance of the driver, it is recommended to use twisted pair shield cable.
- To prevent noise incurred in PUL/DIR signal, pulse/direction signal wires and motor wires should not be tied up together. It is better to separate them by at least 10 cm, otherwise the disturbing signals generated by motor will easily disturb pulse direction signals, causing motor position error, system instability and other failures.
- If a power supply serves several drivers, separately connecting the drivers is recommended instead of daisy-chaining.
- It is prohibited to pull and plug connector P2 while the driver is powered ON, because there is high current flowing through motor coils (even when motor is at standstill). Pulling or plugging connector P2 with power on will cause extremely high back-EMF voltage surge, which may damage the driver.

## 11. Typical Connection

A complete stepping system should include stepping motor, stepping driver, power supply and controller (pulse generator). A typical connection is shown in the Figure 6.

# TECHNICAL DOCUMENT

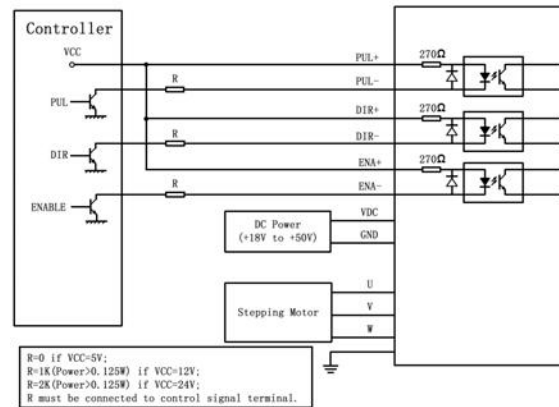


Figure 6: Typical connection

## 12. Sequence Chart of Control Signals

In order to avoid some fault operations and deviations, PUL, DIR and ENA signals should abide by some rules, as shown in the figure 7:

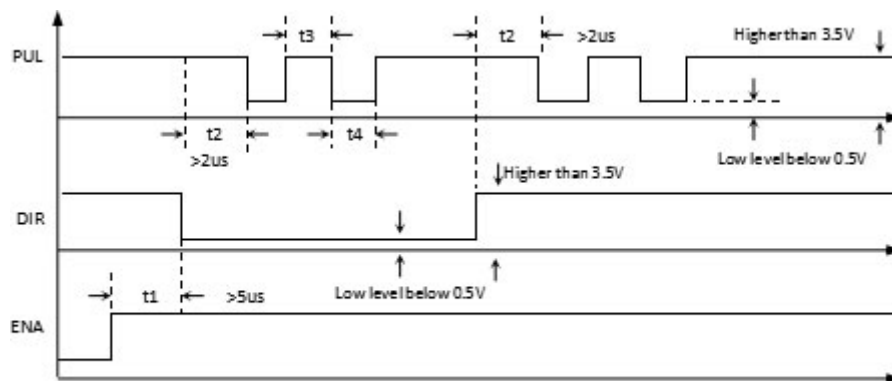


Figure 7: Sequence chart of control signals

# TECHNICAL DOCUMENT

Remark:

a)t1: ENA must be ahead of DIR by at least 5 $\mu$ s. Usually, ENA+ and ENA-are NC (not connected). See “Connector P1 Configurations” for more information.

b)t2: DIR must be ahead of PUL effective edge by 5 $\mu$ s to ensure correct direction;

c)t3: Pulse width not less than 1.5 $\mu$ s;

d)t4: Low level width not less than 1.5 $\mu$ s.

## 13. Protection Functions

To improve reliability, the driver incorporates some built-in protections features.

### Over-voltage and Short-voltage Protections

When power supply voltage exceeds +51VDC, protection will be activated and power indicator LED will turn red. When over-voltage protection function is active, the user should repower the driver to reset the driver.

### Short-voltage Protection

When power supply voltage is lower than +18VDC, the Green LED will turn off and the Red LED will light. Both green and red LED will turn off when power supply voltage is lower than +16VDC. The driver will be reset after power supply voltage increase to +20VDC automatically.

### Short Circuit Protection

Protection will be activated in case of short circuit between motor coil and ground. When short circuit protection function is active, the user should repower the driver to reset the driver.

### Over-current Protection

Protection will be activated in case of over current which may otherwise damage the driver.



Attention: Since there is no protection against power leads (+, -) reversal, it is critical to make sure that power supply leads correctly connected to the driver. Otherwise, the driver will be damaged instantly.

# TECHNICAL DOCUMENT

## 14. Frequently Asked Questions

In the event that your 3P20M doesn't operate properly, the first step is to identify whether the problem is electrical or mechanical in nature. The next step is to isolate the system component that is causing the problem. As part of this process you may have to disconnect the individual components that make up your system and verify that they operate independently. It is important to document each step in the troubleshooting process. You may need this documentation to refer back to at a later date, and these details will greatly assist our Technical Support staff in determining the problem should you need assistance.

Many of the problems that affect motion control systems can be traced to electrical noise, controller software errors, or mistake in wiring.

Symptoms	Possible Problems
Motor is not rotating	No power
	Microstep resolution setting is wrong
	DIP switch current setting is wrong
	Fault condition exists
Motor rotates in the wrong direction	The driver is disabled
	Motor phases may be connected in reverse
The driver in fault	DIP switch current setting is wrong
	Something wrong with motor coil
	Control signal is too weak
Erratic motor motion	Control signal is interfered
	Wrong motor connection
	Something wrong with motor coil
	Current setting is too small, losing steps
Motor stalls during acceleration	Motor stalls during acceleration
	Motor is undersized for the application
	Acceleration is set too high
	Powersupply voltage too low
	Inadequate heat sinking/cooling
Excessive motor and driver heating	Automatic current reduction function not being utilized
	Current is set too high

## 15. Application

It is suitable for many stepper motors, from NEMA 17 to NEMA 34. It can be used in many machines, such as pick-place devices, engraving machines and so on. It is an ideal solution for the application that requires low-speed smoothness and high speed performance.