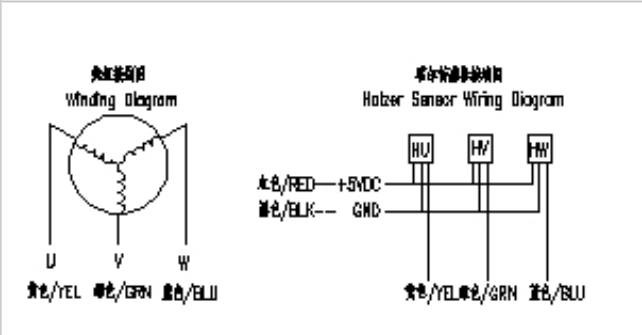


BRUSHLESS DC SERVO MOTOR

BS1301(130mm) , 3 Phase

Standard Leadwire Configuration



Picture



Motor Electrical Specification

Motor Model	BS1301-500360	BS1301-500085	BS1301-770130	BS1301-1000170
Number of Phase	3	3	3	3
Number of Poles	8	8	8	8
Rated Voltage(VDC/VAC)	48	220	220	220
Rated Speed(Rpm)	2500	2500	2500	2500
Rated Torque(N.m)	5	5	7.7	10
Rated Power(W)	1300	1300	2000	2600
Rated Current(A)	36	8.5	13	17
Peak Current(A)	108	25.5	39	51
Peak Torque(N.M)	15	15	23.1	30
Rotor Inertia(kg.cm ²)	8.6	8.6	12.4	16.2
Torque Constant(N.m/A)	0.14	0.58	0.59	0.58
Torque Constant(V/krpm)	13	52	53	52
Line-Line Resistance(Ω)	0.8	1.8	1.2	0.7
Line-Line Inductance(mH)	0.6	4.9	3.4	2.4
Length(mm)	133	133	156	179
Weight(kg)	8.2	8.2	11.5	14.8
Encoder line number (ppr)	1000, 2500			

Mechanical Dimensions

