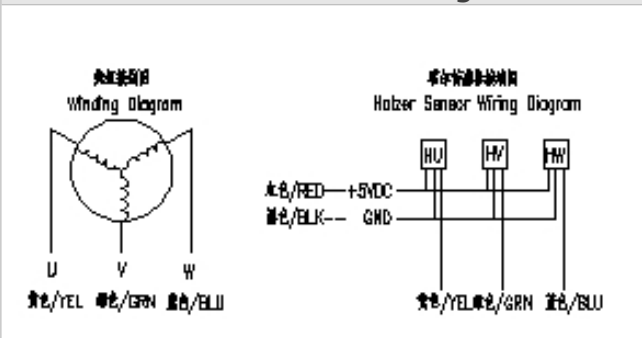


BRUSHLESS SERVO MOTOR

BS1101(110mm), 3 Phase

Standard Leadwire Configuration



Picture



Motor Electrical Specification

Motor Model	BS1101-200170	BS1101-20025	BS1101-40050	BS1101-60060
Number of Phase	3	3	3	3
Number of Poles	8	8	8	8
Rated Voltage(VDC/VAC)	48	220	220	220
Rated Speed(Rpm)	3000	3000	3000	3000
Rated Torque(N.m)	2	2	4	6
Rated Power(W)	600	600	1200	1800
Rated Current(A)	17	2.5	5	6
Peak Current(A)	51	7.5	15	18
Peak Torque(N.M)	6	6	12	18
Rotor Inertia(kg.cm ²)	3.1	3.1	5.4	7.6
Torque Constant(N.m/A)	0.11	0.8	0.8	1.0
Torque Constant(V/krpm)	10	56	54	60
Line-Line Resistance(Ω)	0.6	3.6	1.09	0.81
Line-Line Inductance(mH)	0.4	8.32	3.3	2.59
Length(mm)	102	102	132	162
Weight(kg)	4.5	4.5	5.5	6.7
Encoder line number (ppr)	1000, 2500			

Mechanical Dimensions

