



for

LED

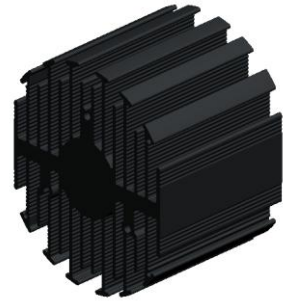


eLED

eLED-LUS-7050 Lustrous Modular Passive Star LED Heat Sink Φ70mm

Features VS Benefits

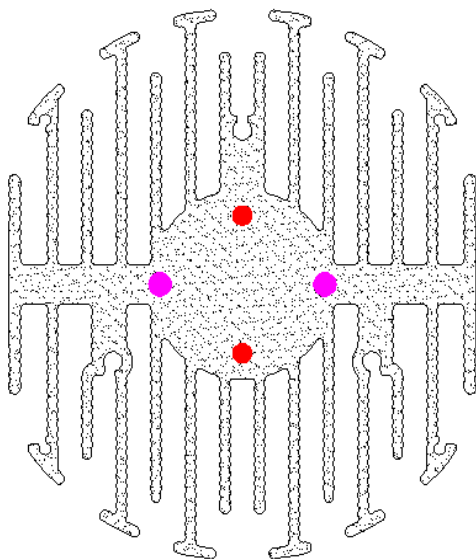
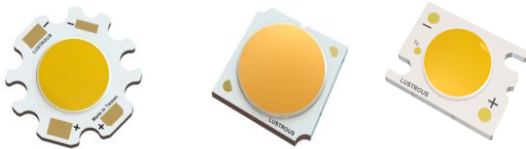
- * The eLED-LUS-7050 Lustrous Modular Passive LED Coolers are specifically designed for luminaires using the Lustrous LED engines.
- * Mechanical compatibility with direct mounting of the LED engines to the LED cooler and thermal performance matching the lumen packages.
- * For spotlight and downlight designs from 1000 to 2600 lumen.
- * Thermal resistance range Rth 2.18°C/W.
- * Modular design with mounting holes foreseen for direct mounting of Lustrous COB M series, LUSTRON series, Coral series, LUSTRON 5 series, LUSTRON 6 series engines.
- * Diameter 70mm - standard height 50mm Other heights on request.
- * Extruded from highly conductive aluminum.



- * Below you find an overview of Lustrous COB's which standard fit on the eLED coolers.
- * In this way mechanical after work and related costs can be avoided, and lighting designers can standardize their designs on a limited number of LED coolers.

LUSTROUS

Green Technology of Lighting



Lustrous COB Modules Mounting Options

M series COB Modules Name :

- M105xxPBxx ;
- M107xxPExx ;
- M109xxPFxx ;

LUSTRON series COB Modules Name :

- L104xxCHxx ;
- L106xxLCxx ;
- L112xxLHxx ;

LUSTRON 5 series COB Modules Name :

- L505xxQCxx ;

LUSTRON 6 series COB Modules Name :

- LL604F1202-xxx ;
- LL608D1202-xxx ;

Direct Mounting with 2 screws M2.5 x 6mm;
Red indicator marks.

Coral series COB Modules Name:

- C108xxPFxx ;
- C113xxPGxx ;
- C620xxPIxx ;

Direct Mounting with 2 screws M3x 6mm;
Pink indicator marks.

eLED

eLED-LUS-7050 Lustrous Modular Passive Star LED Heat Sink Φ 70mm

Mounting Options and Drawings & Dimensions

Example:eLED-LUS-7050-B-1

Example:eLED-LUS-70 **1** - **2** - **3**

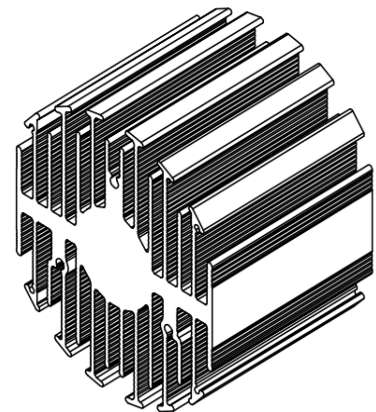
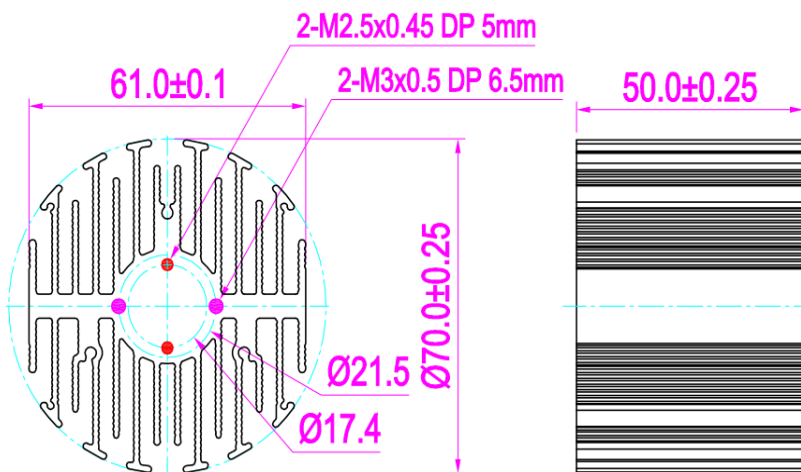
- 1** Height (mm)
- 2** Anodising Color
B-Black
C-Clear
Z-Custom
- 3** Mounting options;
On request;
Mounting holes, cable holes;
Screw thread, thermal interface pad.

LUSTROUS
Green Technology of Lighting

Notes:

- Mentioned models are an extraction of full product range.
- For specific mechanical adaptations please contact MingfaTech.
- MingfaTech reserves the right to change products or specifications without prior notice.

MOUNTING OPTION	Module type	Holder NO.	THREAD	THREAD DEPTH	THREAD HOLE DISTANCE
1	M105xxPBxx; M107xxPExx; M109xxPFxx; L104xxCHxx; L106xxLCxx; L112xxLHxx; L505xxQCxx; LL604F1202-xxx ; LL608D1202-xxx ;	/	M2.5	5mm	17.4mm/ 2-@180°
2	C108xxPFxx;C113xxPGxx;C620xxPIxx ;	/	M3	6.5mm	21.5mm/ 2-@180°



eLED

eLED-LUS-7050 Lustrous Modular Passive Star LED Heat Sink Φ 70mm

The thermal data table

	 <i>eLED-7050</i>
Model No.	eLED-LUS-7050
Size	Φ70xH50mm
Material	AL6063-T5
Finish	Black Anodized
Weight(g)	206
Thermal Wattage	22.9W
Heatsink Θ_{s-a^2}	73369
Heat Sink T Rise Above Ambient	2.18

Dissipated Power P_d (W)	Heat sink to ambient thermal resistance R_{hs-amb} ($^{\circ}C/W$)	
	eLED-LUS-7050	
5	3.40	17
10	2.80	28
15	2.70	37
20	2.25	45
25	2.16	54

