

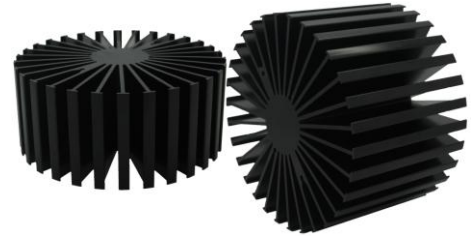


SimpoleD

SimpoleD-SHA-11780 for Sharp Modular Passive LED Cooler Φ 117mm

Features VS Benefits

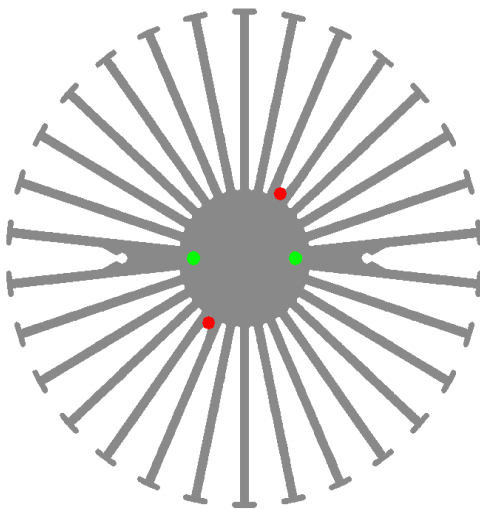
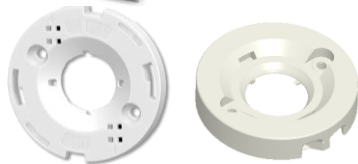
- * The SimpoleD-SHA-11780 SHARP Modular Passive LED Coolers are specifically designed for luminaires using the SHARP LED engines.
- * Mechanical compatibility with direct mounting of the LED engines to the LED cooler and thermal performance matching the lumen packages.
- * For spotlight and downlight designs from 1700 to 7300 lumen.
- * Thermal resistance range Rth 0.8°C/W.
- * Modular design with mounting holes foreseen for direct mounting of SHARP Tiger Zenigataand and Mega Zenigata LED engines.
- * Diameter 117mm - standard height 80mm Other heights on request.
- * Extruded from highly conductive aluminum.



Zhaga LED engine and radiator assembly is a unified future international standardization

- * Below you find an overview of SHARP engines COB's and LED modules which standard fit on the SimpoLED coolers.
- * In this way mechanical after work and related costs can be avoided, and lighting designers can standardize their designs on a limited number of LED coolers.

SHARP



Sharp LED Modules Mounting indicator marks overview

Mega Zenigata LED modules name:

- GW6DMC27XFC;
- GW6DMC30XFC;
- GW6DMC40XFC;
- GW6DMC50XFC;
- GW6DMD27XFC;
- GW6DMD30XFC;
- GW6DMD40XFC;
- GW6DMD50XFC;
- GW6DME27XFC;
- GW6DME30XFC;
- GW6DME40XFC;
- GW6DME50XFC;
- GW6DGC27XFC;
- GW6DGC30XFC;
- GW6DGC40XFC;
- GW6DGC50XFC;
- GW6DGD27XFC;
- GW6DGD30XFC;
- GW6DGD40XFC;
- GW6DGD50XFC;
- GW6DGE27XFC;
- GW6DGE30XFC;
- GW6DGE40XFC;
- GW6DGE50XFC;
- GW6TGCBG40C;

Zhaga Book3 connector:
 BJB Spotlight connector:47.319.2011.50;
 TE Connectivity:2213130-2
 Direct mounting with machine screws M3x8mm;
 Green indicator marks

SimpoleD

SimpoleD-SHA-11780 for Sharp Modular Passive LED Cooler Φ 117mm

Mounting Options and Drawings & Dimensions

Example: SimpoleD-SHA-11780-B-3

Example: SimpoleD-SHA-117 **1** - **2** - **3**

- 1** Height (mm)
- 2** Anodising Color
B-Black
C-Clear
Z-Custom
- 3** Mounting Options - see graphics for details Combinations available
Ex.order code - 12
means option 1 and 2 combined

Notes:

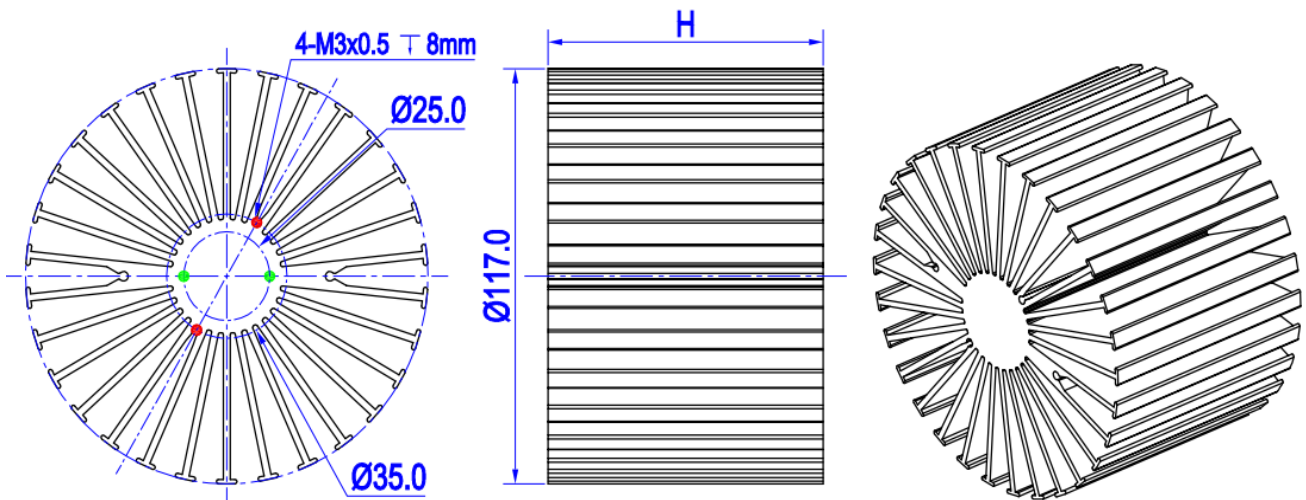
- Mentioned models are an extraction of full product range.
- For specific mechanical adaptations please contact MingfaTech.
- MingfaTech reserves the right to change products or specifications without prior notice.

SHARP

BJB

TE
connectivity

MOUNTING OPTION	Module type	Holder NO.	THREAD	THREAD DEPTH	THREAD HOLE DISTANCE
1	Mini ZENIGATA	BJB (47.319.6180.50)	M3	6mm	25.0mm/ @180°
2	Mega ZENIGATA Tiger Zenigataand	BJB (47.319.2011.50)	M3	6mm	35.0mm/ @180°
		Type (2213130-2)			



SimpoleD

SimpoleD-SHA-11780 for Sharp Modular Passive LED Cooler $\Phi 117\text{mm}$

The thermal data table

	 <i>SimpoleD 11780</i>
Model No.	SimpoleD-SHA-11780
Size	$\Phi 117 \times H 80\text{mm}$
Material	AL6063-T5
Finish	Black Anodized
Weight(gr)	774.0
Thermal Wattage	60.7W
HeatsinkΘ_s-a²	231490
Heat Sink T_{Rise} Above Ambient	0.8

	Pd = Pe x (1-ηL)	Heat sink to ambient thermal resistance Rhs-amb (°C/W)	Heat sink to ambient temperature rise Ths-amb (°C)
		SimpoleD-SHA-11780	SimpoleD-SHA-11780
Dissipated Power Pd(W)	15.0	1.01	15.2
	30.0	0.88	26.4
	45.0	0.80	36.1
	60.0	0.75	45.2
	75.0	0.71	53.8
	90.0	0.68	62.0

