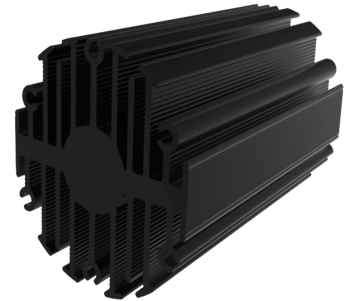


*eLED*

**eLED-SEO-4680 Seoul Modular Passive Star LED Heat Sink  $\Phi$ 46mm**

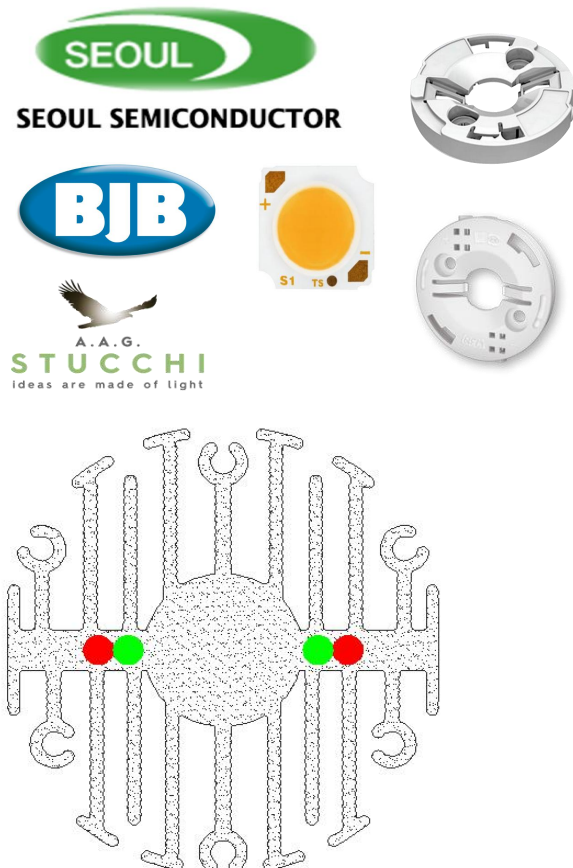
## Features VS Benefits

- \* The eLED-SEO-4680 Seoul Modular Passive Star LED Heat Sinks are specifically designed for luminaires using the Seoul LED engines.
- \* Mechanical compatibility with direct mounting of the LED engines to the LED cooler and thermal performance matching the lumen packages.
- \* For spotlight and downlight designs from 600 to 1600 lumen.
- \* Thermal resistance range  $R_{th}$  3.8°C/W.
- \* Modular design with mounting holes foreseen for direct mounting of Seoul ZC LED engines,
- \* Diameter 46.5mm - standard height 80mm Other heights on request.
- \* Extruded from highly conductive aluminum.



## Zhaga LED engine and radiator assembly is a unified future international standardization

- \* Below you find an overview of Seoul COB's and LED modules which standard fit on the eLED Star LED Heat Sinks.
- \* In this way mechanical after work and related costs can be avoided, and lighting designers can standardize their designs on a limited number of Star LED Heat Sinks.



## Seoul COB engines Mounting Options

ZC4 Series COB Modules:

SDW01F1B;  
SDW81F1B;

ZC6 Series COB Modules:

SDW01F1C;  
SDW81F1C;  
SDW91F1C;

Zhaga Book 11 hoder;  
Red indicator marks  
BJB Spotlight connector:47.319.6060.50;  
AAG.STUCCHI:8100-G2;  
Mounting with 2 screws M3x8mm.

Direct mounting with 2 screws M3x6mm.  
Green indicator marks

eLED

eLED-SEO-4680 Seoul Modular Passive Star LED Heat Sink  $\Phi$ 46mm

Mounting Options and Drawings & Dimensions

Example:eLED-SEO-4680-B-1

Example:eLED-SEO-4680-1-2-3

- 1 Height (mm)
- 2 Anodising Color  
B-Black  
C-Clear  
Z-Custom
- 3 Mounting Options - see graphics for details Combinations available  
Ex.order code - 12  
means option 1 and 2 combined

Notes:

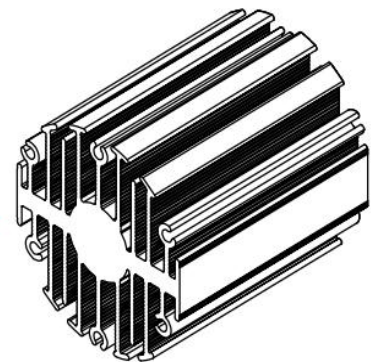
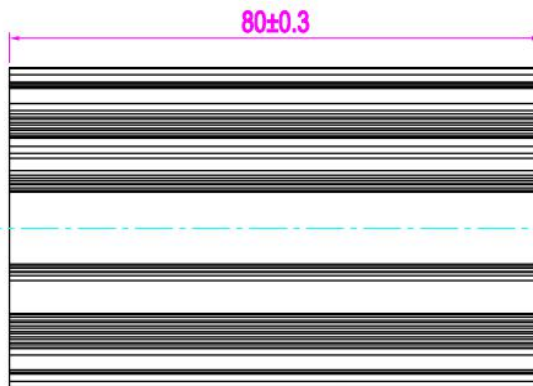
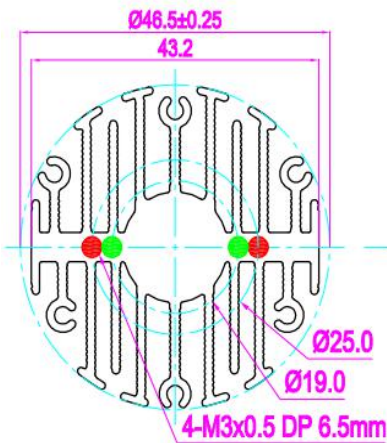
- Mentioned models are an extraction of full product range.
  - For specific mechanical adaptations please contact MingfaTech.
  - 
  - MingfaTech reserves the right to change products or specifications without prior notice.
- Note : option 1 and option 2 can not be combined



SEOUL SEMICONDUCTOR



MOUNTING OPTION	Module type	Holder NO.	THREAD	THREAD DEPTH	THREAD HOLE DISTANCE
1		/	M3	6.5mm	19.0mm/ 2-@180°
2	ZC4 ZC6	AAG.STUCCHI 8100-G2	M3	6.5mm	25.0mm/ 2-@180°
		BJB 47.313.6060.50			



*eLED*

eLED-SEO-4680 Seoul Modular Passive Star LED Heat Sink  $\Phi$ 46mm

The thermal data table

	 <i>eLED-4680</i>
<b>Model No.</b>	<b>eLED-SEO-4680</b>
<b>Size</b>	<b><math>\Phi</math>46.5xH80mm</b>
<b>Material</b>	<b>AL6063-T5</b>
<b>Finish</b>	<b>Black Anodized</b>
<b>Weight(gr)</b>	<b>161.5</b>
<b>Thermal Wattage</b>	<b>13.0W</b>
<b>HeatsinkOs-a<sup>2</sup></b>	<b>69980</b>
<b>Heat Sink T<sub>Rise Above Ambient</sub></b>	<b>3.8</b>

Dissipated Power Pd(W)	Pd = Pe x (1-ηL)	Heat sink to ambient thermal resistance Rhs-amb (°C/W)	Heat sink toambienttemperature riseThs-amb (°C)
		eLED-SEO-4680	
3		4.67	14
6		4.67	28
9		4.33	39
12		4.00	48
15		3.73	56

