

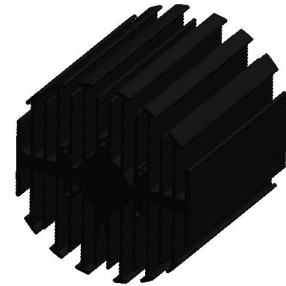


eLED

eLED-LUM-9580 LumiLEDs Modular Passive Star LED Heat Sink Φ 95mm

Features VS Benefits

- * The eLED-LUM-9580 LUMILEDS Modular Passive LED Coolers are specifically designed for luminaires using the LUMILEDS LED engines.
- * Mechanical compatibility with direct mounting of the LED engines to the LED cooler and thermal performance matching the lumen packages.
- * For spotlight and downlight designs from 2100 to 5500 lumen.
- * Thermal resistance range Rth 1.1°C/W.
- * Modular design with mounting holes foreseen for direct mounting of LUMILEDS Luxeon K and LueonCOB engines.
- * Diameter 95mm - standard height 80mm Other heights on request.
- * Extruded from highly conductive aluminum.



Zhaga LED engine and radiator assembly is a unified future international standardization

- * Below you find an overview of LUMILEDS COB's and LED modules which standard fit on the eLED coolers.
- * In this way mechanical after work and related costs can be avoided, and lighting designers can standardize their designs on a limited number of LED coolers.



LUMILEDS LED Modules Mounting Options

For the LuxeonCOB 1204/1205/1208 LED Modules.
 With Zhaga Book 3 LED holder.
 TE holder: Z50 2213130-2;
 BJB holder: 47.319.2011.50;
 A.A.G Stucchi holder: 8301/G2;
 LHC1-xxxx-1204;
 LHC1-xxxx-1205;
 LHC1-xxxx-1208;

For the LuxeonCOB 1211 LED Modules.
 With Zhaga Book 3 LED holder.
 BJB holder: 47.319.2030.50;
 A.A.G Stucchi holder: 8102/G2;
 LHC1-xxxx-1211;

For the Luxeon 12-UP/16-UP LED Modules.
 With Zhaga Book 3 LED holder.
 TE holder: Z50 2213134-2;
 BJB holder: 47.319.2070.50;

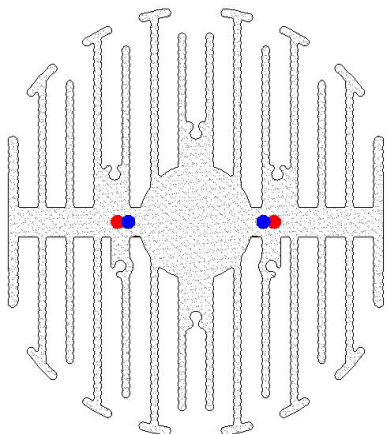
LXK7-PWxx-0012;
 LXK8-PWxx-0012;
 LXK9-PWxx-0012;

LXK7-PWxx-0016;
 LXK8-PWxx-0016;
 LXK9-PWxx-0016;

Zhaga Book3 : Red indicator marks:
 Mounting with machine screws M3x8mm;

LUMILEDS LED Modules directly Mounting Options

For the Luxeon K 24-UP LED engines.
 LXK8-PWxx-0024;
 Direct mounting with machine screws M3x8mm;
 Blue indicator marks.



eLED

eLED-LUM-9580 LumiLEDs Modular Passive Star LED Heat Sink $\Phi 95\text{mm}$

Mounting Options and Drawings & Dimensions

Example: eLED-LUM-9580-B-1

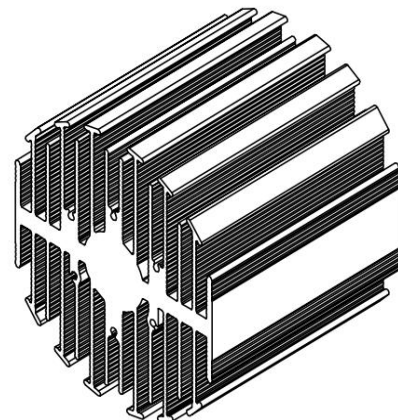
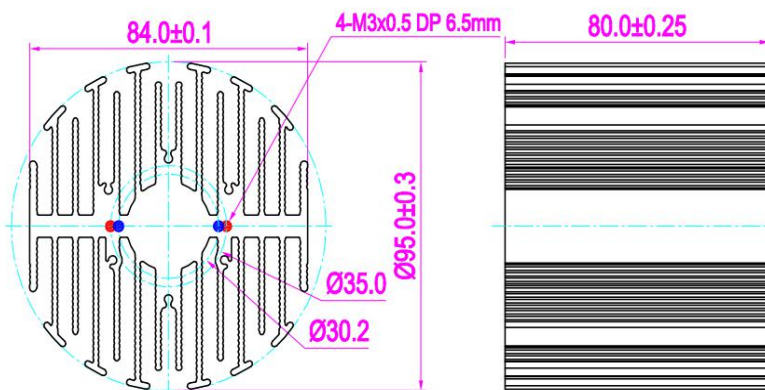
Example: eLED-LUM-9580-**1**-**2**-**3**

- 1** Height (mm)
- 2** Anodising Color
 - B-Black
 - C-Clear
 - Z-Custom
- 3** Mounting Options - see graphics for details Combinations available
Ex.order code - 12
means option 1 and 2 combined

Notes:

- Mentioned models are an extraction of full product range.
- For specific mechanical adaptations please contact MingfaTech.
- MingfaTech reserves the right to change products or specifications without prior notice.
- Note : option 1 and option 2 can not be combined

MOUNTING OPTION	Module type	Holder NO.	THREAD	THREAD DEPTH	THREAD HOLE DISTANCE
1	Luxeon K 24-UP	/	M3	6.5mm	30.2mm/ @180°
2	Luxeon K 12-UP Luxeon K 16-UP	BJB (47.319.2070.50)	M3	6.5mm	35.0mm/ @180°
		Type (Z50 2213382-2)			
	LuxeonCOB1211	BJB (47.319.2030.50)			
		A.A.G Stucchi (8102/G2)			
	LuxeonCOB1204 LuxeonCOB1205 LuxeonCOB1208	Type (Z50 2213130-2)			
		BJB (47.319.2011.50)			
A.A.G Stucchi (8301/G2)					



The thermal data table

	 <i>eLED-9580</i>
Model No.	eLED-LUM-9580
Size	Φ95xH80mm
Material	AL6063-T5
Finish	Black Anodized
Weight(gr)	564.0
Thermal Wattage	49.2W
HeatsinkOs-a²	170178
Heat Sink T Rise Above Ambient	1.10

Dissipated Power Pd(W)	Pd = Pe x (1-ηL)	
	Heat sink to ambient thermal resistance Rhs-amb (°C/W)	Heat sink to ambient temperature rise Ths-amb (°C)
	eLED-LUM-9580	
10	1.6	16
20	1.3	26
30	1.2	35
40	1.1	44
50	1.0	52

