

## SimpoLED

### SimpoLED-SEO-160150 for Seoul Modular Passive LED Cooler $\Phi$ 160mm

#### Features VS Benefits

- \* The SimpLED-SEO-160150 Seoul Modular Passive LED Coolers are specifically designed for luminaires using the Seoul LED engines.
- \* Mechanical compatibility with direct mounting of the LED engines to the LED cooler and thermal performance matching the lumen packages.
- \* For spotlight and downlight designs from 4500 to 15000 lumen.
- \* Thermal resistance range  $R_{th}$  0.42°C/W.
- \* Modular design with mounting holes foreseen for direct mounting of Seoul ZC12 Series, ZC18 Series, ZC25 Series, ZC40 Series, ZC60 Series and ZC100 Series COB engines.
- \* Diameter 160mm - standard height 150mm Other heights on request.
- \* Extruded from highly conductive aluminum.

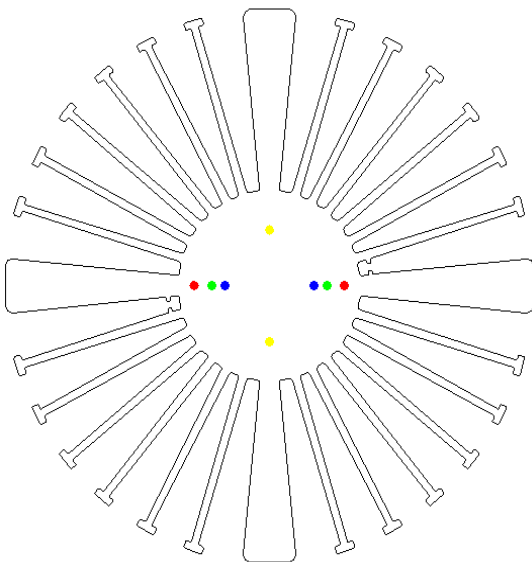


#### Seoul LED engine and radiator assembly directly Mounting Options

- \* Below you find an overview of Seoul COB's which standard fit on the SimpLED coolers.
- \* In this way mechanical after work and related costs can be avoided, and lighting designers can standardize their designs on a limited number of LED coolers.



SEOUL SEMICONDUCTOR



#### Seoul COB engines Mounting Options

##### ZC 12 Series COB Modules:

SDW02F1C; SDW82F1C; SDW92F1C;

##### ZC 18 Series COB Modules:

SDW03F1C; SDW83F1C; SDW93F1C;

Zhaga Book3 Holes ,  
BJB Semiconductor Spotlight connector 47.319.2021.50  
TE Connectivity Lumawise type Z502213254-1  
TE Connectivity Lumawise type Z502213254-2

Green indicator marks;  
Mounting with 2 screws M3x8mm.

Blue indicator marks;  
Direct mounting with 2 screws M3x6mm.

##### ZC 25 Series LED Modules name:

SDW04F1C; SDW84F1C; SDW94F1C;

##### ZC 40 Series LED Modules name:

SDW05F1C; SDW85F1C; SDW95F1C;

##### ZC 60 Series LED Modules name:

SDW06F1C; SDW86F1C;

Green indicator marks:  
Zhaga Book3 BJB Holder:47.319.2030.50  
Mounting with machine screws M3x8mm ;  
Yellow indicator marks ;  
Direct mounting machine screws M3x6mm ;

##### ZC 100 Series LED Modules name:

SDW07F1C; SDW87F1C;

Red indicator marks ;  
Direct mounting machine screws M3x6mm ;

*SimpoleD*

SimpoleD-SEO-160150 for Seoul Modular Passive LED Cooler  $\Phi$ 160mm

**Mounting Options and Drawings & Dimensions**

Example: SimpoleD-SEO-160150-B-1,2

Example: SimpoleD-SEO-160 **1** - **2** - **3**

- 1** Height (mm)
- 2** Anodising Color  
B-Black  
C-Clear  
Z-Custom
- 3** Mounting Options - see graphics for details Combinations available  
Ex.order code - 12  
means option 1 and 2 combined

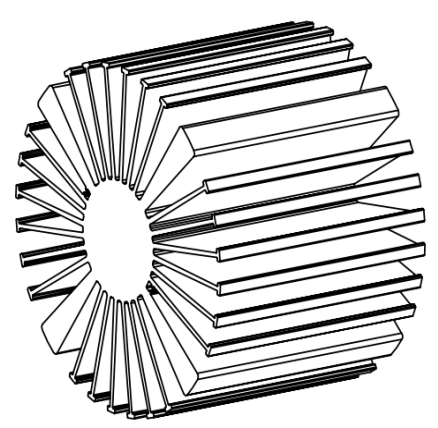
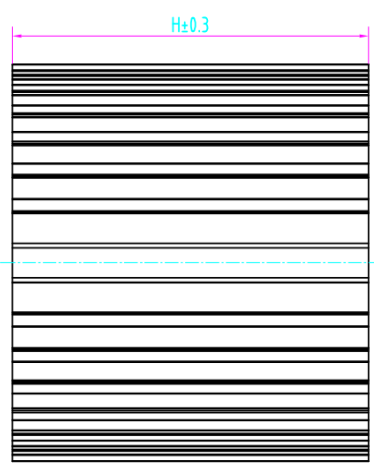
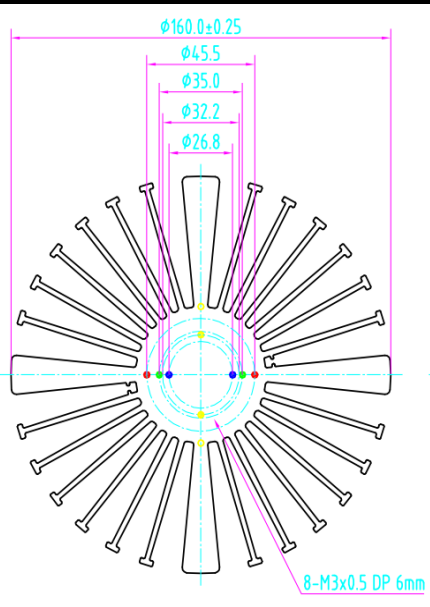


SEOUL SEMICONDUCTOR



Notes:  
 - Mentioned models are an extraction of full product range.  
 - For specific mechanical adaptations please contact MingfaTech.  
 - MingfaTech reserves the right to change products or specifications without prior notice.

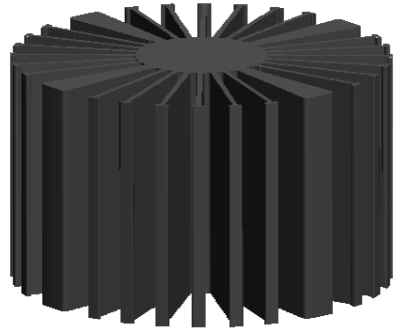
MOUNTING OPTION	Module type	Holder NO.	THREAD	THREAD DEPTH	THREAD HOLE DISTANCE
1	ZC12 Series ZC18 Series	/	M2.5	6mm	26.8mm/ 2-@180°
2	ZC25 Series ZC40 Series ZC60 Series	/	M3	6mm	32.2mm/ 2-@180°
3	ZC12 Series ZC18 Series	BJB:47.319.2040.50	M3	6mm	35mm/ 2-@180° Zhaga Book3
	ZC25 Series ZC40 Series ZC60 Series	BJB: 47.319.2030.50	M3	6mm	
4	ZC100 Series	/	M3	6mm	45.5mm/ 2-@180°



*SimpOLED*

SimpOLED-SEO-160150 for Seoul Modular Passive LED Cooler  $\Phi$ 160mm

The thermal data table

	 <i>SimpOLED-160150</i>
<b>Model No.</b>	<b>SimpOLED-SEO-160150</b>
<b>Size</b>	<b><math>\Phi</math>160xH150mm</b>
<b>Material</b>	<b>AL6063-T5</b>
<b>Finish</b>	<b>Black Anodized</b>
<b>Weight(g)</b>	<b>3155.0</b>
<b>Thermal Wattage</b>	<b>120.0W</b>
<b>Heatsink<math>\Theta</math>s-a<sup>2</sup></b>	<b>506323</b>
<b>Heat Sink T<sub>Rise Above Ambient</sub></b>	<b>0.42</b>

Dissipated Power Pd(W)	Pd = Pe x (1- $\eta$ L)	Heat sink to ambient thermal resistance Rhs-amb (°C/W)	Heat sink to ambient temperature rise Ths-amb (°C)
		SimpOLED-SEO-160150	SimpOLED-SEO-160150
25.0		0.56	14.0
45.0		0.53	24.0
60.0		0.50	30.0
75.0		0.47	35.0
90.0		0.44	40.0
100.0		0.43	43.0
120.0		0.42	50.0

