



for

LED



HibayLED

HibayLED-445370

Modular vacuum phase-transition LED Heat Sink (Passive)  $\Phi 445\text{mm}$

### Features VS Benefits

- \* Mechanical compatibility with direct mounting of the LED modules to the Modular vacuum phase-transition LED Heat Sinks (Passive) thermal performance matching the lumen packages.
- \* Modular design with mounting holes foreseen for direct mounting of a wide range of LED modules and COB's.
- \* For Highbay designs from 25000 to 98000 lumen.
- \* Thermal resistance range  $R_{th}$  0.07°C/W.
- \* Diameter 445mm - standard height 370mm Other heights on request.
- \* 2 standard colors - clear anodized - black anodized.
- \* Design for Bridgelux , Citizen , Cree, Seoul, LG Innotek, Tridonic, Lumileds, Lustrous.....



### Unique Advantages

- \* Integration of heat super conduction and heat dissipation. Reduce heat conduct resistance of heatsink to ZERO;
- \* Low heat conduct temperature difference, equivalent heatconductive ability 20 times better than copper;
- \* More than 30% reduce of volume and weight than normal heatsinks;
- \* Compared to normal extrusion heatsinks, Mingfa Tech's our vacuum phase-transition heatsinks can adapt higher power for the same size;
- \* Compared to normal extrusion heatsinks, Mingfa Tech's vacuum phase-transition LED heatsinks are much smaller volume and lighter weight for the same power;
- \* All aluminium, cost effective;

### Mounting Options and Drawings & Dimensions

Example: HibayLED-445370-C-2

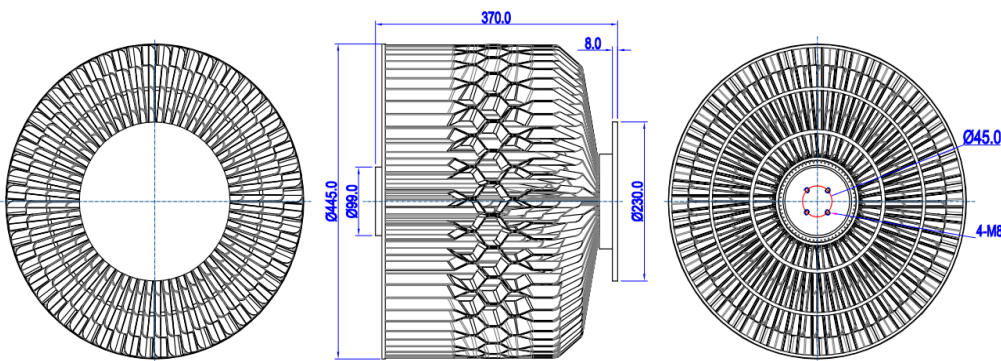
Example: HibayLED-445370 **1** - **2**

- 1** Anodising Color  
C-Clear  
Z-Custom

- 2** Mounting Options - see graphics for details Combinations available  
Ex.order code - 12  
means option 1 and 2 combined

#### Notes:

- Mentioned models are an extraction of full product range.
- For specific mechanical adaptations please contact MingfaTech.
- MingfaTech reserves the right to change products or specifications without prior notice.




*HibayLED*

HibayLED-445370

Modular vacuum phase-transition LED Heat Sink (Passive)  $\Phi 445\text{mm}$

The thermal data table

|                                       |   |      |       |
|---------------------------------------|---|------|-------|
|                                       | <br><i>HibayLED</i> |      |       |
| <b>Model No.</b>                      | HibayLED-445370   |      |       |
| <b>Size</b>                           | $\Phi 445 \times H 370\text{mm}$  |      |       |
| <b>Material</b>                       | AL1070  |      |       |
| <b>Finish</b>                         | Clear Anodized  |      |       |
| <b>Weight(gr)</b>                     | 7400  | 9400 | 10800 |
| <b>Thermal Wattage</b>                | 600   | 800  | 1000  |
| <b>HeatsinkOs-a<sup>2</sup></b>       |   |      |       |
| <b>Heat Sink T Rise Above Ambient</b> | 0.1   | 0.08 | 0.07  |

