



for

LED

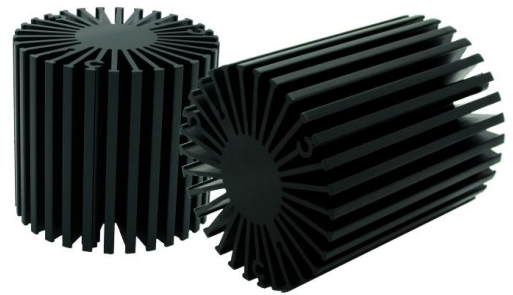


SimpoleD

SimpoleD-CIT-5850 for Citizen Modular Passive LED Cooler Φ 58mm

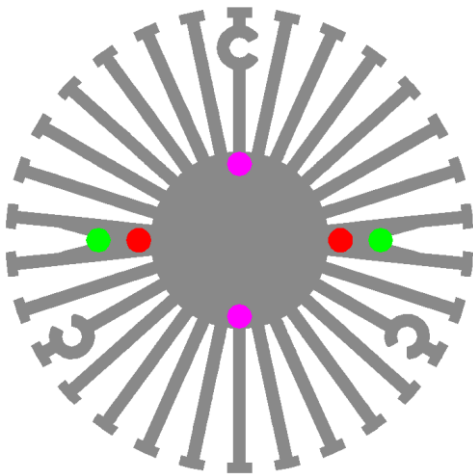
Features VS Benefits

- * The SimpoleD-5850 Citizen Modular Passive LED Coolers are specifically designed for luminaires using the Citizen LED engines.
- * Mechanical compatibility with direct mounting of the LED engines to the LED cooler and thermal performance matching the lumen packages.
- * For spotlight and downlight designs from 400 to 1600 lumen.
- * Thermal resistance range Rth 3.7°C/W.
- * Modular design with mounting holes foreseen for direct mounting of Citizen Citizen CLL012/CLL020/022/CU024 and CLL030 COB engines. COB engines.
- * Diameter 58mm - standard height 50mm Other heights on request.
- * Extruded from highly conductive aluminum.



Zhaga LED engine and radiator assembly is a unified future international standardization

- * Below you find an overview of Citizen COB's and LED modules which standard fit on the SimpoleD coolers.
- * In this way mechanical after work and related costs can be avoided, and lighting designers can standardize their designs on a limited number of LED coolers.



Citizen CLL020-022 and CU024 LED COB's for which Zhaga LED Modules holders are available Mounting Options

Citizen CLL020-022 LED Modules:

CLL020-1202A5-50xxxx;	CLL020-1203A5-50xxxx;
CLL020-1202A5-40xxxx;	CLL020-1203A5-40xxxx;
CLL020-1202A5-35xxxx;	CLL020-1203A5-35xxxx;
CLL020-1202A5-30xxxx;	CLL020-1203A5-30xxxx;
CLL020-1202A5-27xxxx;	CLL020-1203A5-27xxxx;
CLL022-1202A5-50xxxx;	CLL022-1203A5-50xxxx;
CLL022-1202A5-40xxxx;	CLL022-1203A5-40xxxx;
CLL022-1202A5-35xxxx;	CLL022-1203A5-35xxxx;
CLL022-1202A5-30xxxx;	CLL022-1203A5-30xxxx;
CLL022-1202A5-27xxxx;	CLL022-1203A5-27xxxx;

Citizen CU024 LED Modules:

CLU024-1201B8-50XXXXX;	CLU024-1203B8-50XXXXX;
CLU024-1201B8-40XXXXX;	CLU024-1203B8-40XXXXX;
CLU024-1201B8-35XXXXX;	CLU024-1203B8-35XXXXX;
CLU024-1201B8-30XXXXX;	CLU024-1203B8-30XXXXX;
CLU024-1201B8-27XXXXX;	CLU024-1203B8-27XXXXX;
CLU024-1202B8-50XXXXX;	CLU024-1204B8-50XXXXX;
CLU024-1202B8-40XXXXX;	CLU024-1204B8-40XXXXX;
CLU024-1202B8-35XXXXX;	CLU024-1204B8-35XXXXX;
CLU024-1202B8-30XXXXX;	CLU024-1204B8-30XXXXX;
CLU024-1202B8-27XXXXX;	CLU024-1204B8-27XXXXX;

Direct mounting with machine screws M3x6mm;
Red indicator marks.
With Zhaga Book11 holders

Zhaga Book 11 LED holder
BJB Spotlight connector 47.319.6060.50
TE Connectivity 1pc LED holder 6-2154874-1
TE Connectivity Scalable 2pc LED holder 2-2154857-1
Mounting with 2 screws M3 x 8mm
Pink indicator marks





for

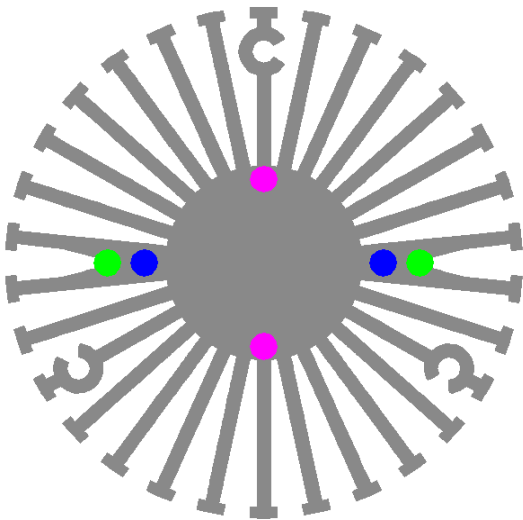
LED



SimpLED

SimpLED-CIT-5850 for Citizen Modular Passive LED Cooler Φ 58mm

CITIZEN
Micro HumanTech



Citizen CLL030~032 and CLU034 LED COB's for which Zhaga LED Modules holders are available Mounting Options

Citizen CLL030~CLL032 LED Modules:

CLL030-1205A5-50XXXX;
CLL030-1205A5-40XXXX;
CLL030-1205A5-35XXXX;
CLL030-1205A5-30XXXX;
CLL030-1205A5-27XXXX;

CLL030-1206A5-50XXXX;
CLL030-1206A5-40XXXX;
CLL030-1206A5-35XXXX;
CLL030-1206A5-30XXXX;
CLL030-1206A5-27XXXX;

CLL032-1205A5-50XXXX;
CLL032-1205A5-40XXXX;
CLL032-1205A5-35XXXX;
CLL032-1205A5-30XXXX;
CLL032-1205A5-27XXXX;

CLL032-1206A5-50XXXX;
CLL032-1206A5-40XXXX;
CLL032-1206A5-35XXXX;
CLL032-1206A5-30XXXX;
CLL032-1206A5-27XXXX;

Citizen CLU034 LED Modules:

CLU034-xxxx

Direct mounting with machine screws M3x6mm;
Blue indicator marks.
With Zhaga Book11 holders

Zhaga Book 3 LED holder
BJB Spotlight connector 47.319.2020.50
TE Connectivity Lumawise type Z50 2213254-1
TE Connectivity Lumawise type Z50 2213254-2
Mounting with 2 screws M3 x 8mm
Green indicator marks

SimpoleD

SimpoleD-CIT-5850 for Citizen Modular Passive LED Cooler Φ 58mm

Mounting Options and Drawings & Dimensions

Example: SimpoleD-CIT-5850-B-3

Example: SimpoleD-CIT-58 **1** - **2** - **3**

- 1** Height (mm)
- 2** Anodising Color
 - B-Black
 - C-Clear
 - Z-Custom
- 3** Mounting Options - see graphics for details Combinations available
 Ex.order code - 12
 means option 1 and 2 combined

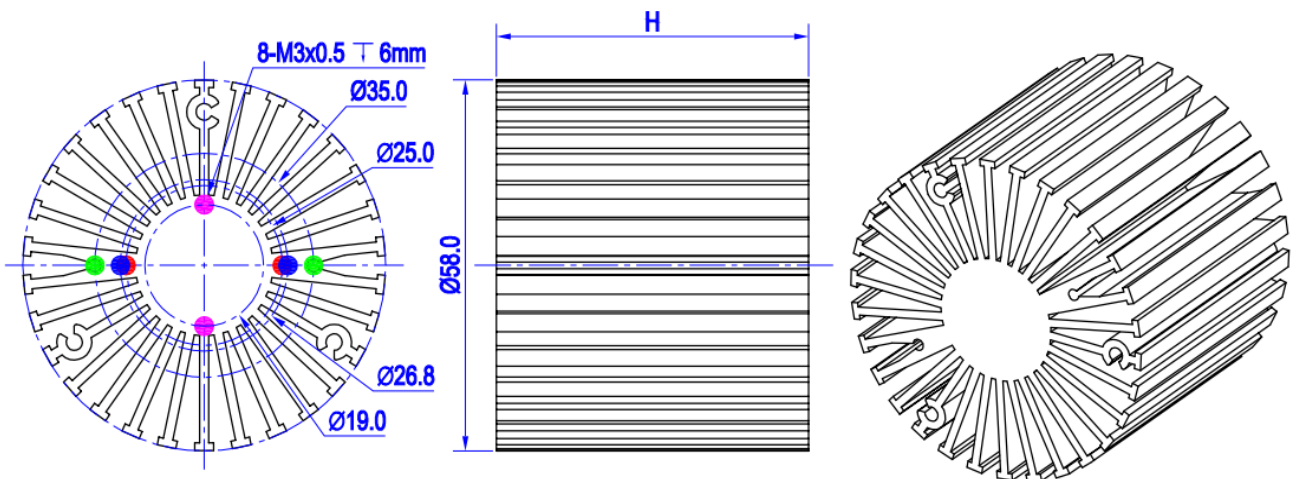
Notes:

- Mentioned models are an extraction of full product range.
- For specific mechanical adaptations please contact MingfaTech.
- MingfaTech reserves the right to change products or specifications without prior notice.



Note ! : option 2 and option 3 can't not be combined

MOUNTING OPTION	Module type	Holder NO.	THREAD	THREAD DEPTH	THREAD HOLE DISTANCE
1	CLL020-022 CLU024	/	M3	6mm	19mm/ 2-@180°
2	CLL020-022 CLU024	BJB:47.319.6060.50 Zhaga Book11	M3	6mm	25mm/ 2-@180° Zhaga Book11
3	CLL030-032 CLU034	/	M3	6mm	26.8mm/ 2-@180°
4	CLL030-032 CLU034	BJB:47.319.2020.50 Zhaga Book3	M3	6mm	35mm/ 2-@180° Zhaga Book3





for

LED



SimpLED

SimpLED-CIT-5850 for Citizen Modular Passive LED Cooler Φ58mm

The thermal data table

	 <p><i>SimpLED-5850</i></p>
Model No.	SimpLED-CIT-5850
Size	Φ58xH50mm
Material	AL6063-T5
Finish	Black Anodized
Weight(g)	174.0
Thermal Wattage	12.2W
HeatsinkOs-a²	65040
Heat Sink T Rise Above Ambient	3.7

Dissipated Power Pd(W)	Pd = Pe x (1-ηL)	Heat sink to ambient thermal resistance Rhs-amb (°C/W)	Heat sink to ambient temperature rise Ths-amb (°C)
		SimpLED-CIT-5850	SimpLED-CIT-5850
3		4.8	14.5
6		4.2	25.0
9		3.8	34.5
12		3.7	43.0
15		3.4	51.0
18		3.2	58.0

