

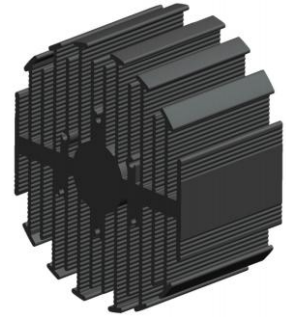


eLED

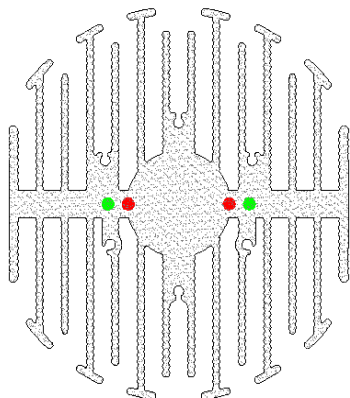
## eLED-CRE-9550 Cree Modular Passive Star LED Heat Sink $\Phi$ 95mm

### Features VS Benefits

- \* The eLED-CRE-9550 Cree Modular Passive LED Coolers are specifically designed for luminaires using the Cree LED engines.
- \* Mechanical compatibility with direct mounting of the LED engines to the LED cooler and thermal performance matching the lumen packages.
- \* For spotlight and downlight designs from 1500 to 4400 lumen.
- \* Thermal resistance range Rth 1.35°C/W.
- \* Modular design with mounting holes foreseen for direct mounting of Cree Lxamp CXA1310, CXA1507,1512,1520, CXA1816,1820,1830,1850, CXA2520,2530 LED ArrayCOB engines.
- \* Diameter 95mm - standard height 50mm Other heights on request.
- \* Extruded from highly conductive aluminum.



- \* Below you find an overview of Cree LED modular which standard fit on the eLED coolers.
- \* In this way mechanical after work and related costs can be avoided, and lighting designers can standardize their designs on a limited number of LED coolers.



### Cree LED COB's for which Zhaga LED Modules holders are available Mounting Options

#### Cree LED Modules and Ideal holders:

##### Cree Lxamp CXA1820 LED Modules:

Ideal Holder:50-2101CR or BJB Holder:47.319.2131.50

Maximum drive current optional: (1050mA) ;

Please refer to the [www.cree.com](http://www.cree.com) data provided on the manual.

##### Cree Lxamp CXA1830 LED Modules:

Ideal Holder:50-2101CR or BJB Holder:47.319.2131.50

Maximum drive current optional: (1250mA) ;

Please refer to the [www.cree.com](http://www.cree.com) data provided on the manual.

##### Cree Lxamp CXA1850 LED Modules:

Ideal Holder:50-2101CR or BJB Holder:47.319.2131.50

Maximum drive current optional: (1400mA) ;

Please refer to the [www.cree.com](http://www.cree.com) data provided on the manual.

##### Cree Lxamp CXA2520 LED Modules:

Ideal Holder:50-2102CR or BJB Holder:47.319.2141.50

Maximum drive current optional: (1200mA) ;

Please refer to the [www.cree.com](http://www.cree.com) data provided on the manual.

##### Cree Lxamp CXA2530 LED Modules:

Ideal Holder:50-2102CR or BJB Holder:47.319.2141.50

Maximum drive current optional: (1200mA);

Please refer to the [www.cree.com](http://www.cree.com) data provided on the manual.

##### Cree Lxamp CXA2540 LED Modules: (Ideal Holder:50-2102CR), (BJB Holder:47.319.2141.50)

Maximum drive current optional: (1300mA);

Please refer to the [www.cree.com](http://www.cree.com) data provided on the manual.

Please refer to the data files on [www.idealindustries.com](http://www.idealindustries.com), which is the detail of Ideal holders application guide

#### Zhaga Book3 Green indicator marks:

Mounting with 2 machine screws M3 x 8mm;

Green indicator marks.

Tel: +86-769-33252828 +86-769-33251919

E-fax: +86-(020)28819702 ext:22122

Email:sales@mingfatech.com

Http://www.heatsinkled.com

Http://www.mingfatech.com





eLED

eLED-CRE-9550 Cree Modular Passive Star LED Heat Sink  $\Phi$ 95mm

**Mounting Options and Drawings & Dimensions**

Example:eLED-CRE-9550-B-1

Example:eLED-CRE-95 **1** - **2** - **3**

**1** Height (mm)

**2** Anodising Color

B-Black

C-Clear

Z-Custom

**3** Mounting options;

On request;

Mounting holes, cable holes;

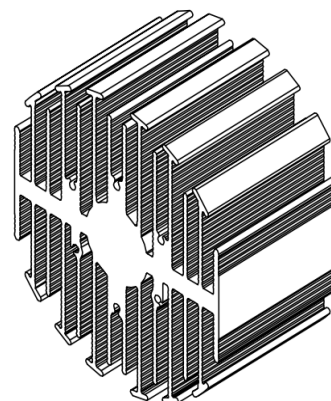
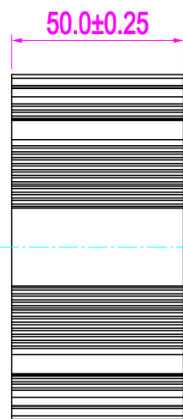
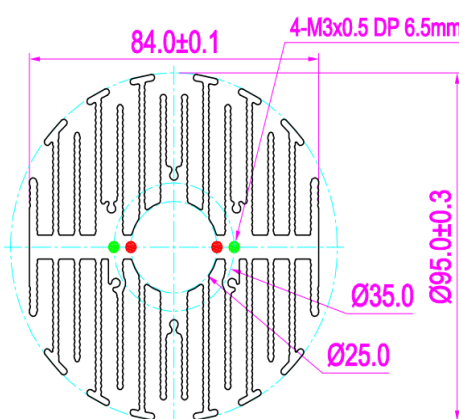
Screw thread, thermal interface pad.

Notes:

- Mentioned models are an extraction of full product range.
- For specific mechanical adaptations please contact MingfaTech.
- MingfaTech reserves the right to change products or specifications without prior notice.



MOUNTING OPTION	Module type	Holder NO.	THREAD	THREAD DEPTH	THREAD HOLE DISTANCE
1	CXA-13xx	BJB: 47.319.6120.50 IDEAL:50-2000CR	M3	6.5mm	25mm/ 2-@180°
2	CXA-15xx ;	BJB: 47.319.6101.50 IDEAL:50-2001CR	M3	6.5mm	35mm/ 2-@180°
	CXA18XX ;	BJB:47.319.2130.50 IDEAL:50-2101CR			
	CXA1830 ;	BJB:50-2001CR			
	CXA25xx ;	BJB:47.319.2140.50 IDEAL:50-2102CR			
	CXA30xx ;	BJB:47.319.2150.50 IDEAL:50-2234C			
	CXA35xx ;	IDEAL:50-2303CR			



Tel: +86-769-33252828 +86-769-33251919  
 E-fax: +86-(020)28819702 ext:22122  
 Email:sales@mingfatech.com  
 Http://www.heatsinkled.com  
 Http://www.mingfatech.com



eLED

eLED-CRE-9550 Cree Modular Passive Star LED Heat Sink  $\Phi$ 95mm

The thermal data table

	 <i>eLED-9550</i>
<b>Model No.</b>	<b>eLED-CRE-9550</b>
<b>Size</b>	<b><math>\Phi</math>95xH50mm</b>
<b>Material</b>	<b>AL6063-T5</b>
<b>Finish</b>	<b>Black Anodized</b>
<b>Weight(gr)</b>	<b>353</b>
<b>Thermal Wattage</b>	<b>40.5W</b>
<b>HeatsinkO<sub>s</sub>-a<sup>2</sup></b>	<b>108320</b>
<b>Heat Sink T<sub>rise</sub> Above Ambient</b>	<b>1.25</b>

Dissipated Power Pd(W)	Pd = Pe x (1-η <sub>L</sub> )	Heat sink to ambient thermal resistance R <sub>hs-amb</sub> (°C/W)	Heat sink to ambient temperature rise T <sub>hs-amb</sub> (°C)
		eLED-CRE-9550	
10		1.80	18
20		1.40	28
30		0.97	29
40		1.25	50
50		1.18	59

