



for

LED

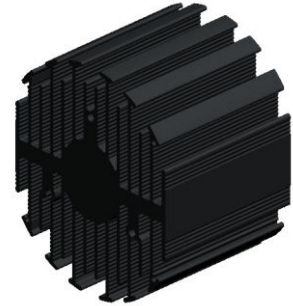


eLED

eLED-LUME-7050 Lumens Modular Passive Star LED Heat Sink Φ 70mm

Features VS Benefits

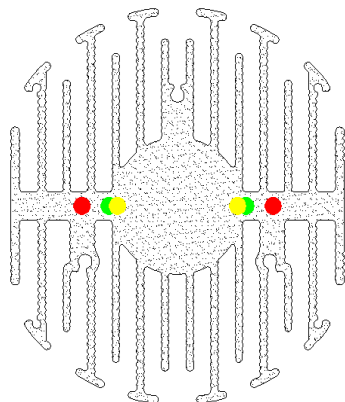
- * The eLED-LUME-7050 Lumens Modular Passive Star LED Heat Sinks are specifically designed for luminaires using the Lumens LED engines.
- * Mechanical compatibility with direct mounting of the LED engines to the LED cooler and thermal performance matching the lumen packages.
- * For spotlight and downlight designs from 1000 to 2500 lumen.
- * Thermal resistance range R_{th} 2.18°C/W.
- * Modular design with mounting holes foreseen for direct mounting of Lumens ERC1507 ERC1512, ERC1820 LED and AC-ALL series engines.
- * Diameter 70mm - standard height 50mm Other heights on request.
- * Extruded from highly conductive aluminum.



Zhaga LED engine and radiator assembly is a unified future international standardization

- * Below you find an overview of Lumens COB's and LED modules which standard fit on the eLED Star LED Heat Sinks.
- * In this way mechanical after work and related costs can be avoided, and lighting designers can standardize their designs on a limited number of Star LED Heat Sinks.

LUMENS



Lumens LED engines for which Zhaga LED Modules holders are available.

For the ERC1507/1512 LED engines.

- ERC1507S827HE;
- ERC1507S830HE;
- ERC1507S835HE;
- ERC1507S840HE;
- ERC1507S850HE;
- ERC1507S927HE;
- ERC1507S930HE;
- ERC1507S935HE;

- ERC1512S827HE;
- ERC1512S830HE;
- ERC1512S835HE;
- ERC1512S840HE;
- ERC1512S850HE;
- ERC1512S927HE;
- ERC1512S930HE;
- ERC1512S935HE;

Mounting with machine screws M3x8mm;

NO.1:With Zhaga Book 3 LED holder for red indicator marks.

(Ideal Holder:50-2001CR);

NO.2:With Zhaga Book 11 LED holder for green indicator marks.

(BJB holder:47.319.6101.50);

(AAG.STUCCHI 8400-G2);

NO.3:Without the LED holder for yellow indicator marks.

Please refer to the www.lumensleds.com data provided on the manual.

Tel:+86-769-33252828 +86-769-33251919

E-fax:+86-(020)28819702 ext:22122

Email:sales@mingfatech.com

Http://www.heatsinkled.com

Http://www.mingfatech.com





for

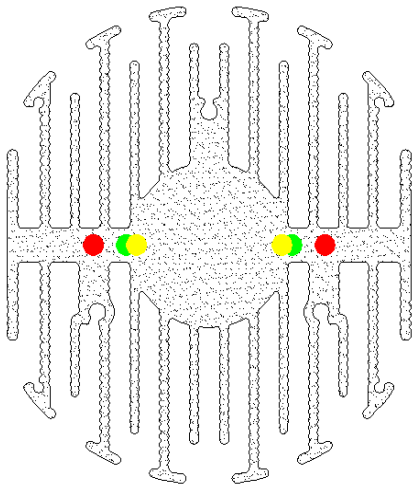
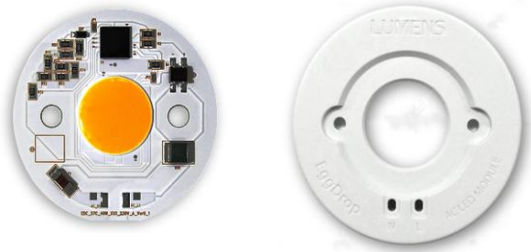
LED



eLED

eLED-LUME-7050 Lumens Modular Passive Star LED Heat Sink Φ 70mm

LUMENS



Lumens LED engines for which Zhaga LED Modules holders are available.

For the ERC1820 LED engines.

- ERC1820S827HE;
- ERC1820S830HE;
- ERC1820S835HE;
- ERC1820S840HE;
- ERC1820S850HE;
- ERC1820S927HE;
- ERC1820S930HE;
- ERC1820S935HE;

Mounting with machine screws M3x8mm;

NO.1:With Zhaga Book 3 LED holder for red indicator marks.

(Ideal Holder:50-2101CR);

(BJB holder:47.319.2131.50);

NO.2:Without the LED holder for gree indicator marks.

For the AC-ALL series LED engines.

- EDC/47C/9W/XXX/230V/A;
- EDC/47C/10W/XXX/230V/A;
- EDC/47C/12W/XXX/230V/A;
- EDC/47C/15W/XXX/230V/A;
- EDC/47C/20W/XXX/230V/A;
- EDC/57C/10W/XXX/230V/A;
- EDC/57C/12W/XXX/230V/A;
- EDC/57C/15W/XXX/230V/A;
- EDC/57C/20W/XXX/230V/A;

- EDC/47C/9W/XXX/120V/B;
- EDC/47C/10W/XXX/120V/B;
- EDC/47C/12W/XXX/120V/B;
- EDC/47C/15W/XXX/120V/B;
- EDC/47C/20W/XXX/120V/B;
- EDC/57C/10W/XXX/120V/B;
- EDC/57C/12W/XXX/120V/B;
- EDC/57C/15W/XXX/120V/B;
- EDC/57C/20W/XXX/120V/B;

Mounting with machine screws M3x8mm;

With Zhaga Book 3 Lumens LED holder for red indicator marks.

Please refer to the www.lumensleds.com data provided on the manual.

Tel:+86-769-33252828 +86-769-33251919

E-fax:+86-(020)28819702 ext:22122

Email:sales@mingfatech.com

Http://www.heatsinkled.com

Http://www.mingfatech.com





eLED

eLED-LUME-7050 Lumens Modular Passive Star LED Heat Sink Φ 70mm

Mounting Options and Drawings & Dimensions

Example:eLED-LUME-7050-B-3

Example:eLED-LUME-70 **1** - **2** - **3**

- 1** Height (mm)
- 2** Anodising Color
B-Black
C-Clear
Z-Custom
- 3** Mounting Options - see graphics for details Combinations available
Ex.order code - 12
means option 1 and 2 combined

Notes:

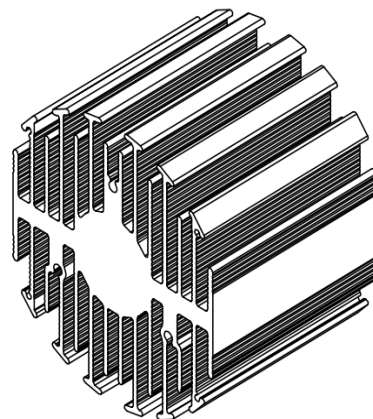
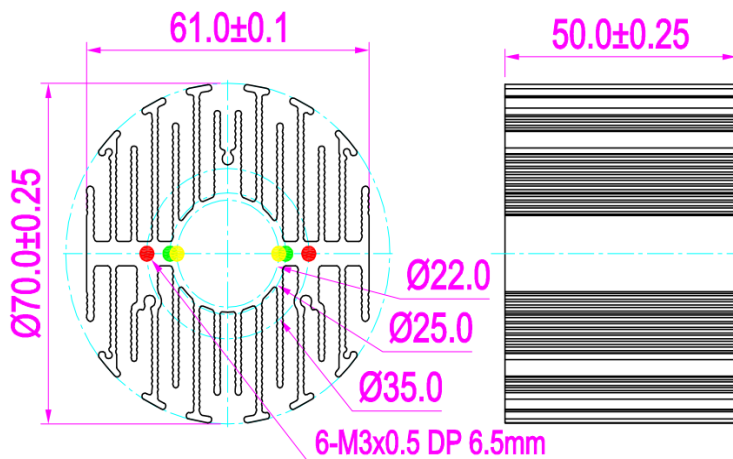
- Mentioned models are an extraction of full product range.
- For specific mechanical adaptations please contact MingfaTech.
- MingfaTech reserves the right to change products or specifications without prior notice.

Note : option 1 and option 2 can not be combined

LUMENS



| MOUNTING OPTION | Module type | Holder NO. | THREAD | THREAD DEPTH | THREAD HOLE DISTANCE |
|-----------------|--------------------|--------------------------|--------|--------------|----------------------|
| 1 | | / | M3 | 6.5mm | 22.0mm/ 2-@180° |
| 2 | ERC1507 ERC1512 | AAG.STUCCHI 8400-G2 | M3 | 6.5mm | 25.0mm/ 2-@180° |
| | | BJB 47.313.6101.50 | | | |
| | ERC1820 | / | | | |
| 3 | ERC1507 ERC1512 | Ideal Holde 50-2001CR | M3 | 6.5mm | 35.0mm/ 2-@180° |
| | | Ideal Holde 50-2101CR | | | |
| | ERC1820 | BJB 47.313.2131.50 | | | |
| | | AC-ALL | | | |



eLED

eLED-LUME-7050 Lumens Modular Passive Star LED Heat Sink Φ 70mm

The thermal data table

| | |
|---|--|
| |  <i>eLED-7050</i> |
| Model No. | eLED-LUME-7050 |
| Size | Φ 70xH50mm |
| Material | AL6063-T5 |
| Finish | Black Anodized |
| Weight(g) | 206 |
| Thermal Wattage | 22.9W |
| HeatsinkΘs-a² | 73369 |
| Heat Sink T Rise Above Ambient | 2.18 |

| Dissipated Power Pd(W) | Heat sink to ambient thermal resistance Rhs-amb (°C/W) | |
|------------------------|--|----|
| | eLED-LUME-7050 | |
| 5 | 3.40 | 17 |
| 10 | 2.80 | 28 |
| 15 | 2.70 | 37 |
| 20 | 2.25 | 45 |
| 25 | 2.16 | 54 |

