

Application

CNC Machine, Machine center, Robot, Spaceflight, War Industry, Artificial Limb

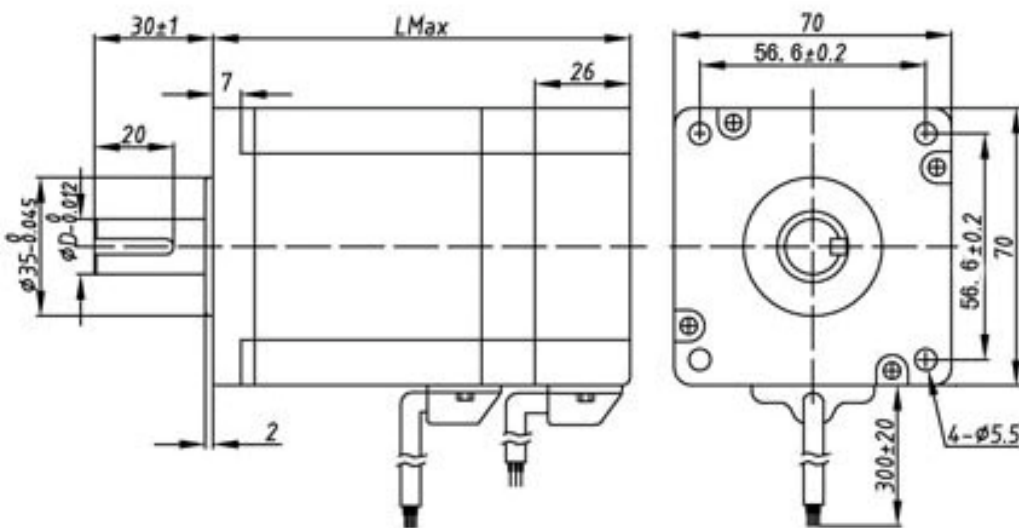
Picture



Complementary Products:

High reduction ratios with concentric shafts
Very low backlash and vibration

Mechanical Dimensions



Shaft Size

Model	Diameter of Shaft	Groove
D706-05034	$\phi 12$	Platform 1 x 20
D706-10014	$\phi 14$	Platform 4X20

Specification

Model	Rated power	Rated voltage	Current	Number of poles	Rated speed	Rated torque	Peak torque	Moment constant	Length	Weight	Encoder
	W	V	A		rpm	N.m	N.m	N.m/A			
D706-05034	156	36	3.35	8	3000	0.5	1.5	0.149	60	1.3	1000
D706-10014	313	310	1.44	8	3000	1	3	0.69	90	2.08	1000