



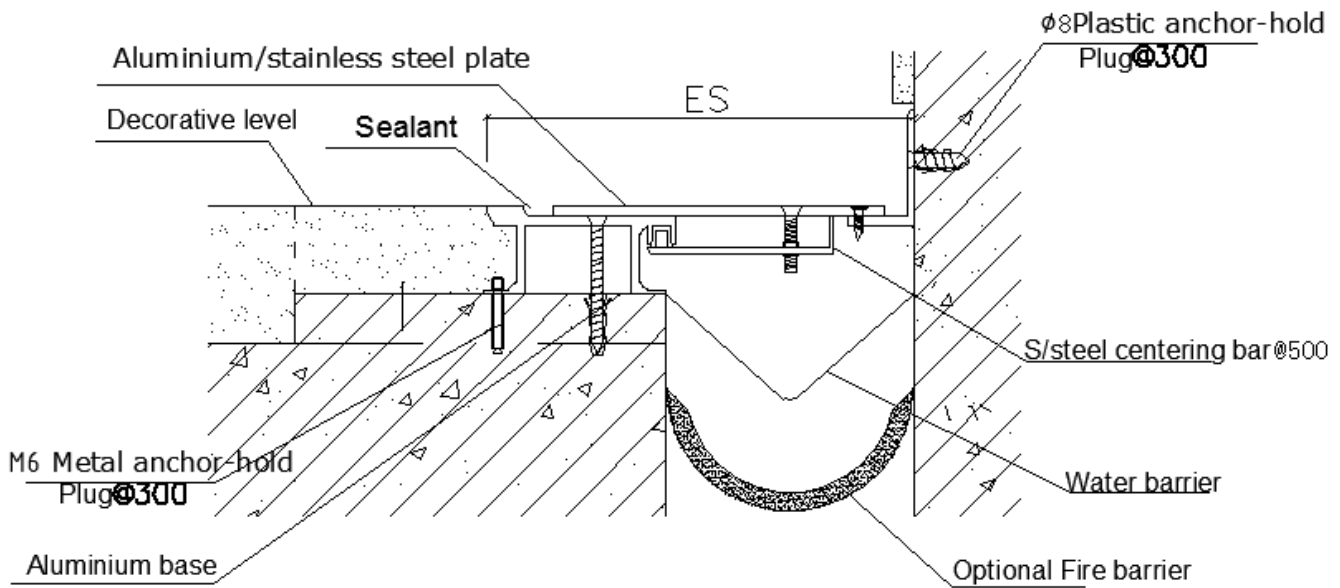
MEISHUO Building Materials CO.,Ltd

Office: No.2208, Huaqiao Square, Pukou district, Nanjing,China

Tel: 0086-025-58196288 Fax:0086-025-58196399

Website: www.msbox.com E-mail:sariel@msbox.com

MSD-QGC EXPANSION JOINT SPEC DATA





MEISHUO Building Materials CO.,Ltd

Office: No.2208, Huaqiao Square, Pukou district, Nanjing,China

Tel: 0086-025-58196288 Fax:0086-025-58196399

Website: www.msbox.com E-mail:sariel@msbox.com

MSD-QGC EXPANSION JOINT SPEC DATA

Product Description:

An architectural line of thermal, seismic, waterproof and fire rated expansion joint systems meeting the aesthetic and structural demands of airports, hospitals, shopping malls and other building types.

- Featuring a Centering Bar System
- Featuring a high load bearing system
- Ideal for vehicular traffic areas, such as parking garages and warehouses
- Fully engineered for both pneumatic and solid tires
- Many different chooses for cover plate, such as aluminum plate, stainless steel plate and galvanized steel plate
- Ideal for carpet, vinyl, ceramic tile and other floor finishes
- High extruded aluminum frame to match marble finish

BASIC USES:

Application: floor to wall

Gap Width: 200mm

Thickness of Aluminum plate: 10mm

Thickness of Aluminum Base: 5mm

TECHNICAL DATA:

MATERIALS:

Aluminum: ASTM 6063T5 Mill finish, anodized

WARRANTY:

Meishuo warrants that its products are manufactured free of defects and conform to the technical data listed. Under this warranty, we will replace any material proven defective when applied in accordance with our written instructions for applications recommended by us as suitable for subject products. Meishuo shall not be liable for any injury, loss or damage, direct or consequential, arising out of the use of the product.