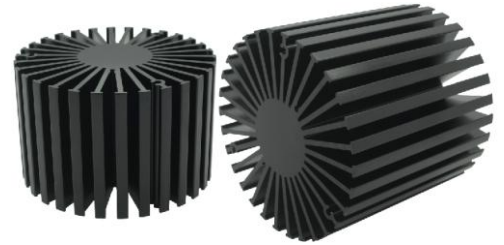


SimpoleD

SimpoleD-SEO-8150 for Seoul Modular Passive LED Cooler Φ 81mm

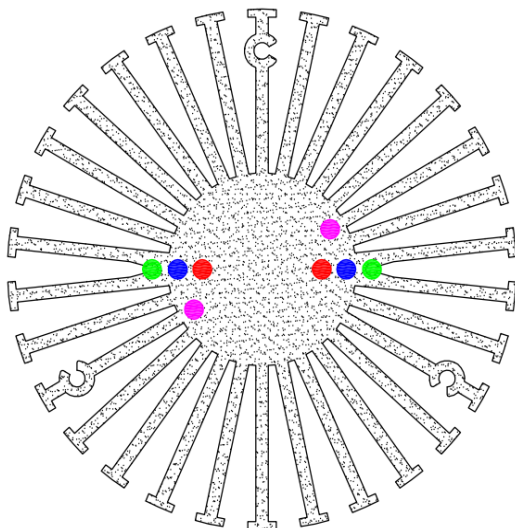
Features VS Benefits

- * The SimpoleD-SEO-8150 Seoul Modular Passive LED Coolers are specifically designed for luminaires using the Seoul LED engines.
- * Mechanical compatibility with direct mounting of the LED engines to the LED cooler and thermal performance matching the lumen packages.
- * For spotlight and downlight designs from 1000 to 3600 lumen.
- * Thermal resistance range Rth 1.9°C/W.
- * Modular design with mounting holes foreseen for direct mounting of Seoul ZC4 Series, ZC6 Series, ZC12 Series, ZC18 Series, ZC25 Series and ZC40 Series COB engines.
- * Diameter 81mm - standard height 50mm Other heights on request.
- * Extruded from highly conductive aluminum.



Seoul LED engine and radiator assembly directly Mounting Options

- * Below you find an overview of Seoul COB's and LED modules which standard fit on the SimpoleD coolers.
- * In this way mechanical after work and related costs can be avoided, and lighting designers can standardize their designs on a limited number of LED coolers.



Seoul COB engines Mounting Options

ZC4 Series COB Modules:

SDW01F1B; SDW81F1B;

ZC6 Series COB Modules:

SDW01F1C; SDW81F1C; SDW91F1C;

Zhaga Book 11 holder;
Pink indicator marks,
BJB Spotlight connector 47.319.6060.50
Mounting with 2 screws M3x8mm.
Direct mounting with 2 screws M3x6mm.
Red indicator marks.

ZC 12 Series COB Modules:

SDW02F1C; SDW82F1C; SDW92F1C;

ZC 18 Series COB Modules:

SDW03F1C; SDW83F1C; SDW93F1C;

Zhaga Book3 Holes ;
Green indicator marks,
BJB Semiconductor Spotlight connector 47.319.2021.50
TE Connectivity Lumawise type Z502213254-1
TE Connectivity Lumawise type Z502213254-2
Mounting with 2 screws M3x8mm.
Direct mounting with 2 screws M3x6mm;
Blue indicator marks.

ZC 25 Series LED Modules name:

SDW04F1C;
SDW84F1C;
SDW94F1C;

ZC 40 Series LED Modules name:

SDW05F1C;
SDW85F1C;
SDW95F1C;

Green indicator marks:
Zhaga Book3 BJB Holder:47.319.2030.50
Mounting with machine screws M3x8mm ;

SimpoleD

SimpoleD-SEO-8150 for Seoul Modular Passive LED Cooler Φ 81mm

Mounting Options and Drawings & Dimensions

Example: SimpoleD-SEO-8150-B-3

Example: SimpoleD-SEO-81 **1** - **2** - **3**

- 1** Height (mm)
- 2** Anodising Color
B-Black
C-Clear
Z-Custom
- 3** Mounting Options - see graphics for details Combinations available
Ex.order code - 12
means option 1 and 2 combined



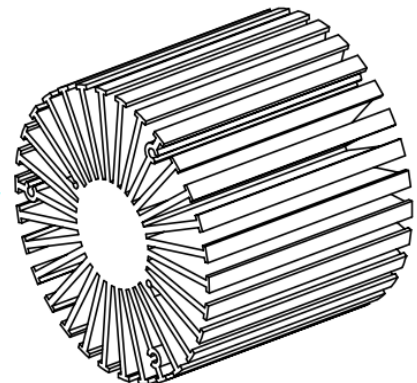
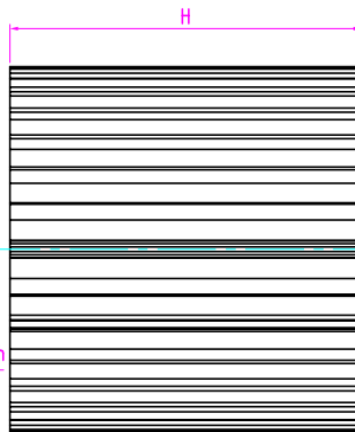
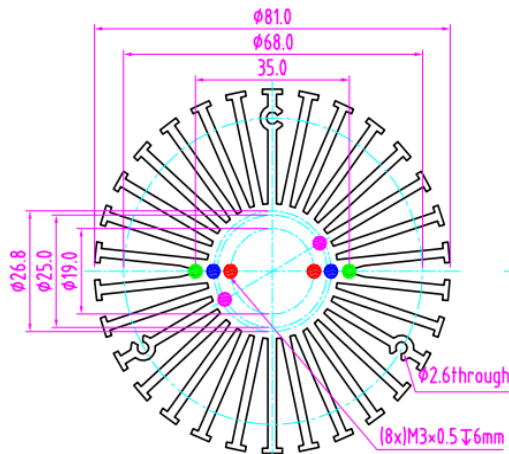
SEOUL SEMICONDUCTOR



Notes:

- Mentioned models are an extraction of full product range.
- For specific mechanical adaptations please contact MingfaTech.
- MingfaTech reserves the right to change products or specifications without prior notice.

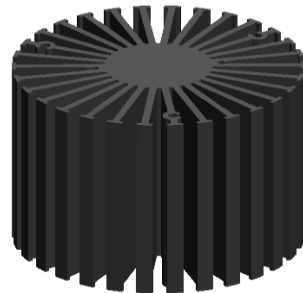
MOUNTING OPTION	Module type	Holder NO.	THREAD	THREAD DEPTH	THREAD HOLE DISTANCE
1	ZC4 Series ZC6 Series	/	M3	6mm	19mm/ 2-@180°
2	ZC4 Series ZC6 Series	BJB:47.319.6060.50;	M3	6mm	25mm/ 2-@180° Zhaga Book 11
3	ZC12 Series ZC18 Series	/	M3	6mm	26.8mm/ 2-@180°
4	ZC12 Series ZC18 Series	BJB:47.319.2040.50	M3	6mm	35mm/ 2-@180° Zhaga Book3
	ZC25 Series ZC40 Series ZC60 Series	BJB: 47.319.2030.50	M3	6mm	



SimpoleD

SimpoleD-SEO-8150 for Seoul Modular Passive LED Cooler Φ 81mm

The thermal data table

	 <i>SimpoleD-8150</i>
Model No.	SimpoleD-SEO-8150
Size	Φ81xH50mm
Material	AL6063-T5
Finish	Black Anodized
Weight(g)	318.0
Thermal Wattage	26.5W
HeatsinkOs-a²	94517
Heat Sink T_{Rise Above Ambient}	1.9

Dissipated Power Pd(W)	Pd = Pe x (1-ηL)	Heat sink to ambient thermal resistance Rhs-amb (°C/W)	Heat sink to ambient temperature rise Ths-amb (°C)
		SimpoleD-SEO-8150	SimpoleD-SEO-8150
6.0		2.60	15.6
12.0		2.18	26.2
18.0		2.00	36.0
24.0		1.95	46.8
30.0		1.72	51.6

