



for

LED

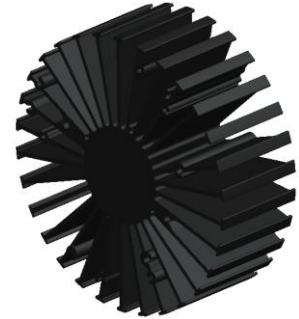


*SimpoleD*

**SimpoleD-OSR-13580 for OSRAM Modular Passive LED Cooler  $\phi$ 135mm**

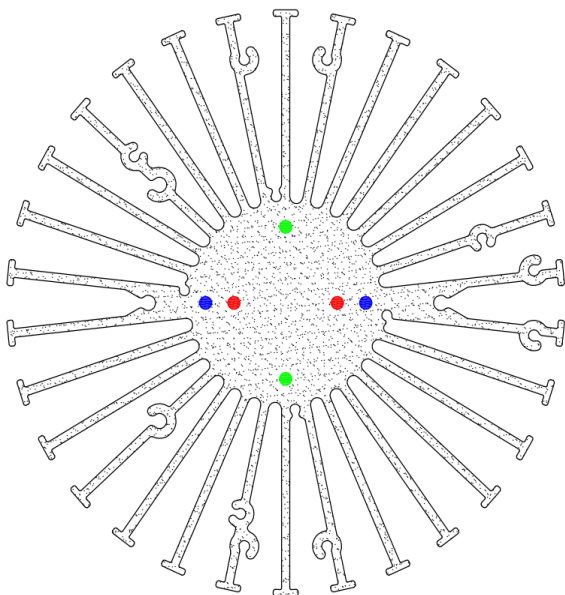
**Features VS Benefits**

- \* The SimpoleD-OSR-13580 OSRAM Modular Passive LED Coolers are specifically designed for luminaires using the OSRAM LED engines.
- \* Mechanical compatibility with direct mounting of the LED engines to the LED cooler and thermal performance matching the lumen packages.
- \* For spotlight and downlight designs from 2100 to 7000 lumen.
- \* Thermal resistance range Rth 0.71°C/W.
- \* Modular design with mounting holes foreseen for direct mounting of OSRAM SOLERIQ P and SOLERIQ S LED engines.
- \* Diameter 135mm - standard height 80mm Other heights on request.
- \* Extruded from highly conductive aluminum.



**Zhaga LED engine and radiator assembly is a unified future international standardization**

- \* Below you find an overview of OSRAM engines COB's and LED modules which standard fit on the SimpoleD coolers.
- \* In this way mechanical after work and related costs can be avoided, and lighting designers can standardize their designs on a limited number of LED coolers.



**OSRAM LED engines Mounting Options**

**Osram SOLERIQ S19 LED modules.**

- GW KAHNB1.CM-TSTU-27S3;
- GW KAHNB1.CM-TSTU-30S3;
- GW KAHNB1.CM-TTUP-35S3;
- GW KAHNB1.CM-TUUC-40S3;

- GW KAHNB1.EM-TUUC-27S3;
- GW KAHNB1.EM-TUUR-30S3;
- GW KAHNB1.EM-UPUR-35S3;
- GW KAHNB1.EM-UPUS-40S3;

**Zhaga Book3**

- Green indicator marks ;
- BJB holder:47.319.2170.50 ;
- AAG.STUCCHI holder:8503-G2 ;
- Direct mounting with machine screws M3x6mm.

**Osram SOLERIQ P13 modules.**

- GW MAGMB1.CM-SUTR-27S3;
- GW MAGMB1.CM-TPTS-30S3;
- GW MAGMB1.CM-TPTS-35S3;
- GW MAGMB1.CM-TQTT-40S3;

- GW MAGMB1.EM-TQTT-27S3;
- GW MAGMB1.EM-TRTU-30S3;
- GW MAGMB1.EM-TSUP-35S3;
- GW MAGMB1.EM-TSUP-40S3;
- GW MAGMB1.EM-TSUP-50S3;

**Zhaga Book3**

- Green indicator marks ;
- BJB holder:47.319.2131.50 ;
- IDEAL holder:50-2101CR ;
- Direct mounting with machine screws M3x6mm.

Tel:+86-769-39023131  
 E-fax:+86-(020)28819702 ext:22122  
 Email:sales@mingfatech.com  
 Http://www.heatsinkled.com  
 Http://www.mingfatech.com





**SimpoLED** *SimpoLED-OSR-13580 for OSRAM Modular Passive LED Cooler  $\Phi$ 135mm*

**Mounting Options and Drawings & Dimensions**

Example: SimpoLED-OSR-13580-B-3

Example: SimpoLED-OSR-135 **1** - **2** - **3**

**1** Height (mm)

**2** Anodising Color  
 B-Black  
 C-Clear  
 Z-Custom

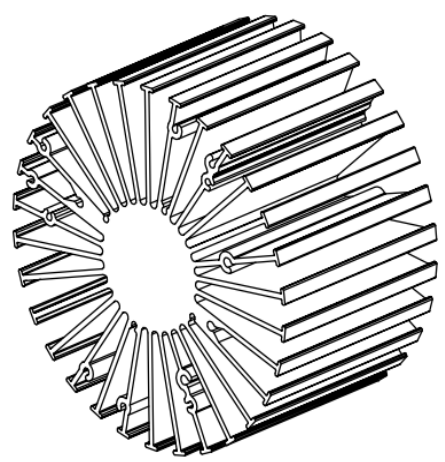
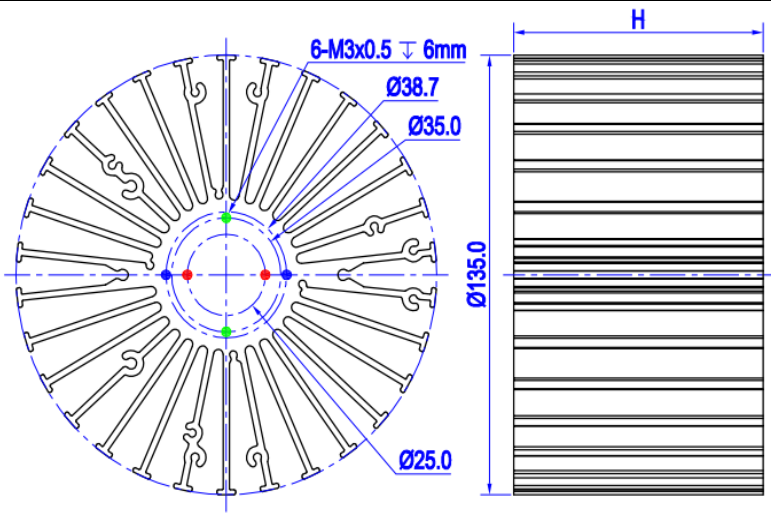
**3** Mounting Options - see graphics for details Combinations available  
 Ex.order code - 12  
 means option 1 and 2 combined

**Notes:**

- Mentioned models are an extraction of full product range.
- For specific mechanical adaptations please contact MingfaTech.
- MingfaTech reserves the right to change products or specifications without prior notice.



MOUNTING OPTION	Module type	Holder NO.	THREAD	THREAD DEPTH	THREAD HOLE DISTANCE
1	SOLERIQ P9	AAG.STUCCHI:8501-G2	M3	6mm	25.0mm/ 2-@180°
		BJB:47.319.6200.50			
2	PrevaLED Core AC PrevaLED Core Z3 PrevaLED Core Z4	/	M3	6mm	35.0mm/ 2-@180°
	SOLERIQ S19	AAG.STUCCHI:8503-G2			
		BJB:47.319.2170.50			
	SOLERIQ p13	IDEAL:50-2101CR			
BJB:47.319.2131.50					
3	SOLERIQ E45	/	M3	6mm	38.7mm/ 2-@180°



Tel:+86-769-39023131  
 E-fax:+86-(020)28819702 ext:22122  
 Email:sales@mingfatech.com  
 Http://www.heatsinkled.com  
 Http://www.mingfatech.com





for

LED



*SimpLED*

SimpLED-OSR-13580 for OSRAM Modular Passive LED Cooler  $\Phi$ 135mm

The thermal data table

	 <i>SimpLED-13580</i>
<b>Model No.</b>	<b>SimpLED-OSR-13580</b>
<b>Size</b>	<b><math>\Phi</math>135xH80mm</b>
<b>Material</b>	<b>AL6063-T5</b>
<b>Finish</b>	<b>Black Anodized</b>
<b>Weight(gr)</b>	<b>1020.0</b>
<b>Thermal Wattage</b>	<b>69.8W</b>
<b>Heatsink<math>\Theta</math>s-a<sup>2</sup></b>	<b>243322</b>
<b>Heat Sink T Rise Above Ambient</b>	<b>0.71</b>

Dissipated Power Pd(W)	Pd = Pe x (1-ηL)	
	Heat sink to ambient thermal resistance Rhs-amb (°C/W)	Heat sink to ambient temperature rise Ths-amb (°C)
	SimpLED-OSR-13580	SimpLED-OSR-13580
15.0	1.00	15.0
30.0	0.87	26.0
45.0	0.79	35.7
60.0	0.74	44.8
75.0	0.71	53.4
90.0	0.68	61.6

