



for

LED

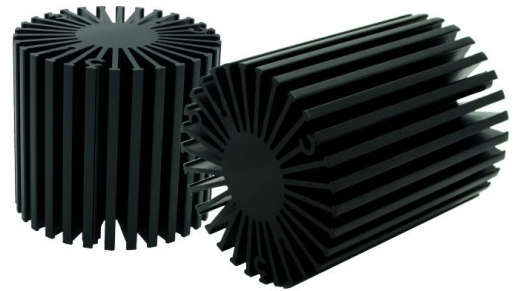


*SimpoleD*

**SimpoleD-BRI-5850 for Bridgelux Modular Passive LED Cooler  $\phi$ 58mm**

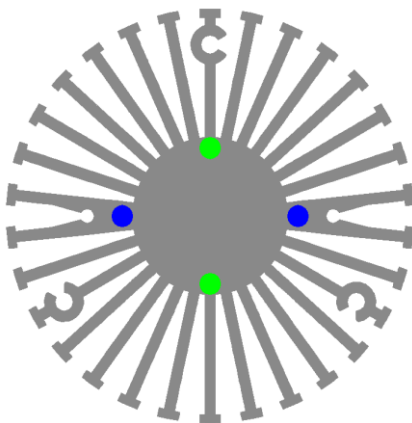
**Features VS Benefits**

- \* The SimpoleD-5850 Bridgelux Modular Passive LED Coolers are specifically designed for luminaires using the Bridgelux LED engines.
- \* Mechanical compatibility with direct mounting of the LED engines to the LED cooler and thermal performance matching the lumen packages.
- \* For spotlight and downlight designs from 400 to 1400 lumen.
- \* Thermal resistance range Rth 3.7°C/W.
- \* Modular design with mounting holes foreseen for direct mounting of Bridelux ES Star Array V10 Array and Vero 10 Array COB engines.
- \* Diameter 58mm - standard height 50mm Other heights on request.
- \* Extruded from highly conductive aluminum.



**Zhaga LED engine and radiator assembly is a unified future international standardization**

- \* Below you find an overview of Bridgelux COB's and LED modules which standard fit on the SimpoleD coolers.
- \* In this way mechanical after work and related costs can be avoided, and lighting designers can standardize their designs on a limited number of LED coolers.



**Bridgelux LED Modules directly Mounting Options**

**ES Star Array Series LED engines: BJB holder(47.313.1001.80) ro don't use holders**

- |                    |                    |
|--------------------|--------------------|
| BXRA-27E0540-A-03; | BXRA-30G0740-A-03; |
| BXRA-27G0540-A-03; | BXRA-40E0600-A-03; |
| BXRA-27E0740-A-03; | BXRA-40E0810-A-03; |
| BXRA-27G0740-A-03; | BXRA-50C1000-A-03; |
| BXRA-30E0540-A-03; | BXRA-56C0700-A-03; |
| BXRA-30G0540-A-03; | BXRA-56C1000-A-03; |
| BXRA-30E0740-A-03; |                    |

Mounting with machine screws M3x8mm;  
Green indicator marks.

**V10 Array Series LED engines: BJB holder(47.313.6101.50)**

- |                    |                    |
|--------------------|--------------------|
| BXRE-27E1000-B-03; | BXRE-40E1000-B-03; |
| BXRE-27G1000-B-03; | BXRE-50C1000-B-04; |
| BXRE-30E1000-B-03; | BXRE-50E1000-B-03; |
| BXRE-30G1000-B-03; |                    |

Mounting with machine screws M3x8mm;  
Blue indicator marks.

**Vero 10 Array Series LED engines:**

- |                     |                     |
|---------------------|---------------------|
| BXRC-27E1000-B-xx ; | BXRC-40E1000-B-xx ; |
| BXRC-27G1000-B-xx ; | BXRC-40G1000-B-xx ; |
| BXRC-30E1000-B-xx ; | BXRC-50C1000-B-xx ; |
| BXRC-30G1000-B-xx ; | BXRC-50E1000-B-xx ; |
| BXRC-35E1000-B-xx ; | BXRC-50G1000-B-xx ; |

Direct mounting with machine screws M3x8mm;  
Green indicator marks.



*SimpLED*

**SimpLED-BRI-5850 for Bridgelux Modular Passive LED Cooler  $\Phi$ 58mm**

**Mounting Options and Drawings & Dimensions**

Example: SimpLED-BRI-5850-B-3

Example: SimpLED-BRI-58 **1** - **2** - **3**

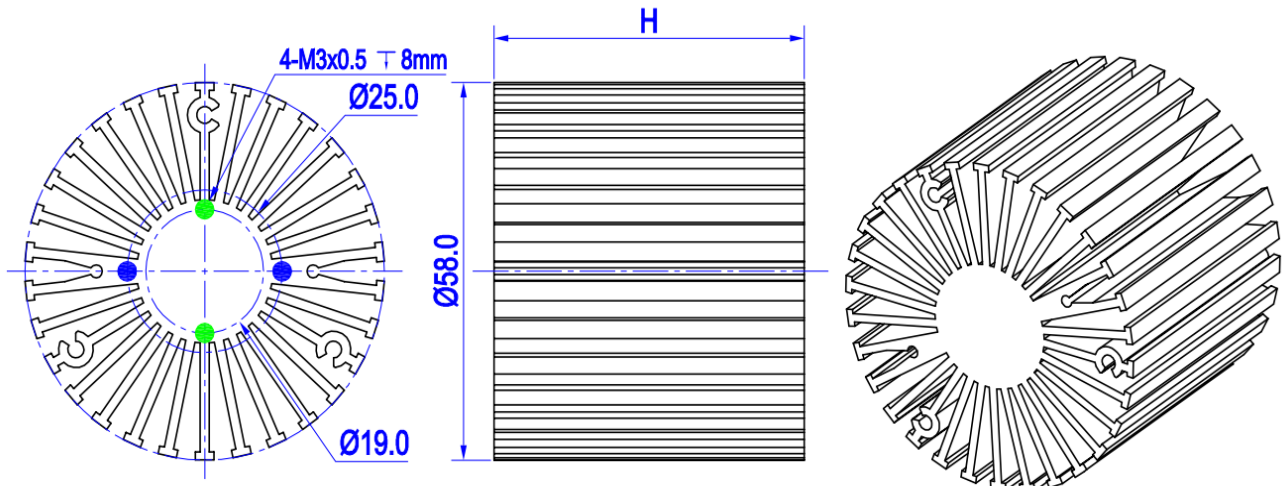
- 1** Height (mm)
- 2** Anodising Color
  - B-Black
  - C-Clear
  - Z-Custom
- 3** Mounting Options - see graphics for details Combinations available
  - Ex.order code - 12 means option 1 and 2 combined

Notes:

- Mentioned models are an extraction of full product range.
- For specific mechanical adaptations please contact MingfaTech.
- MingfaTech reserves the right to change products or specifications without prior notice.



MOUNTING OPTION	Module type	Holder NO.	THREAD	THREAD DEPTH	THREAD HOLE DISTANCE
1	Vero-10 ES-Star Array	/	M3	8mm	19.0mm/ 2-@180°
	ES-Star Array	BJB 47.313.1001.80			
2	V10-Array	BJB 47.319.6101.50	M3	8mm	25.0mm/ 2-@180°



*SimpoleD*

*SimpoleD-BRI-5850 for Bridgelux Modular Passive LED Cooler Φ58mm*

The thermal data table

	 <p><i>SimpoleD-5850</i></p>
<b>Model No.</b>	<b>SimpoleD-BRI-5850</b>
<b>Size</b>	<b>Φ58xH50mm</b>
<b>Material</b>	<b>AL 6063-T5</b>
<b>Finish</b>	<b>Black Anodized</b>
<b>Weight(g)</b>	<b>174.0</b>
<b>Thermal Wattage</b>	<b>12.2W</b>
<b>HeatsinkOs-a<sup>2</sup></b>	<b>65040</b>
<b>Heat Sink T<sub>Rise Above Ambient</sub></b>	<b>3.7</b>

Dissipated Power Pd(W)	Pd = Pe x (1-ηL)	Heat sink to ambient thermal resistance Rhs-amb (°C/W)	Heat sink to ambient temperature rise Ths-amb (°C)
		SimpoleD-BRI-5850	SimpoleD-BRI-5850
3		4.8	14.5
6		4.2	25.0
9		3.8	34.5
12		3.7	43.0
15		3.4	51.0
18		3.2	58.0

