

## EtraLED

### EtraLED-LUM-7050 LumiLEDs Modular Passive Star Heat Sink $\Phi$ 70mm

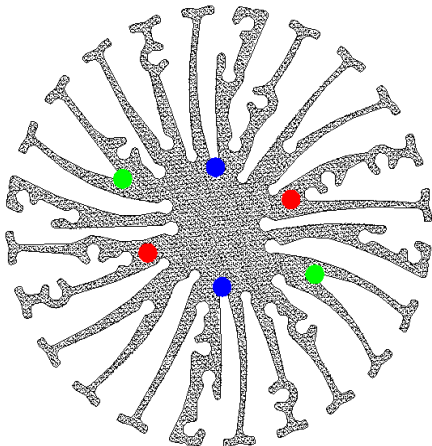
#### Features VS Benefits

- \* The EtraLED-LUM-7050 LumiLEDs Pin Fin LED Heat Sinks are specifically designed for luminaires using the LumiLEDs LED engines.
- \* Mechanical compatibility with direct mounting of the LED engines to the LED cooler and thermal performance matching the lumen packages.
- \* For spotlight and downlight designs from 1200 to 3,000 lumen.
- \* Thermal resistance range  $R_{th}$  2.5°C/W.
- \* Modular design with mounting holes foreseen for direct mounting of LumiLEDs COB series.
- \* Diameter 70.0mm - standard height 50.0mm, Other heights on request.
- \* Forged from highly conductive aluminum.



#### Zhaga LED engine and radiator assembly is a unified future international standardization

- \* Below you find an overview of LumiLEDs COB's and LED modules which standard fit on the srar LED heat sinks.
- \* In this way mechanical after work and related costs can be avoided, and lighting designers can standardize their designs on a limited number of srar LED heat sinks.



#### LumiLEDs LED Modules directly Mounting Options

##### LumiLEDs COB series.

- LUXEON CoB 1202s: L2C5-xxxx1202E0600;
- LUXEON CoB 1202HD: L2C5-xxxx1202EH600;

With the Zhaga Book 11 holders for the red indicator marks.  
TE Connectivity Holder: 2213118-2;  
BJB Holder: 47.319.6180.50;  
Without the holders for the blue indicator marks.  
Direct mounting with machine screws M3x6.5mm.

##### LumiLEDs COB series.

- LUXEON CoB 1202: L2C5-xxxx1202E0900;
- LUXEON CoB 1203: L2C5-xxxx1203E0900;

With the Zhaga Book 3 holders for the green indicator marks.  
TE Connectivity Holder: 2213382-1;  
Without the holders for the pink indicator marks.  
Direct mounting with machine screws M3x6.5mm.

##### LuXEon CX Plus CoB series.

- LUXEON CoB M02: L2C4-xxxx-M02E0900;
- LUXEON CoB M03: L2C4-xxxx-M03E0900;

With the Zhaga Book 11 holders for the red indicator marks.  
BJB Holder: 47.319.6104.50;  
Direct mounting with machine screws M3x6.5mm.

With the LEDiL products:  
Ronda series: FN15xxx-xx;

**EtraLED**

**EtraLED-LUM-7050 LumiLEDs Modular Passive Star Heat Sink  $\Phi$ 70mm**

**Mounting Options and Drawings & Dimensions**

Example: EtraLED-LUM-7050-B-1,2

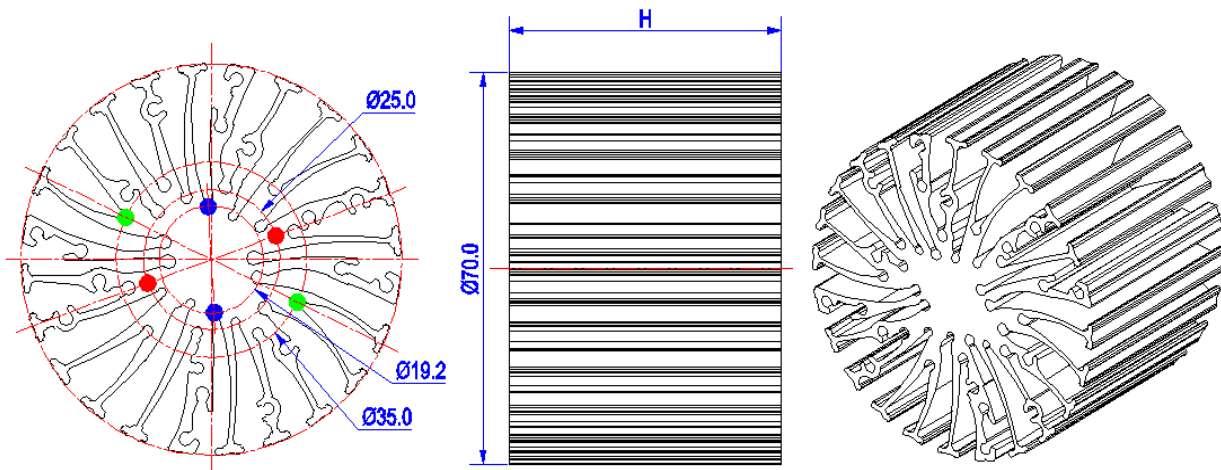
Example: EtraLED-LUM-70 **1** - **2** - **3**

- 1** Height (mm)
- 2** Anodising Color
  - B-Black
  - C-Clear
  - Z-Custom
- 3** Mounting Options - see graphics for details Combinations available
  - Ex.order code - 12
  - means option 1 and 2 combined

**Notes:**

- Mentioned models are an extraction of full product range.
- For specific mechanical adaptations please contact MingfaTech.
- MingfaTech reserves the right to change products or specifications without prior notice.

MOUNTING OPTION	Module type	Holder NO.	LEDIL products		THREAD	THREAD DEPTH	THREAD HOLE DISTANCE
			Ronda series	Olivia series			
1	LUXEON 1202s; LUXEON 1202HD;	/	FN15xxx-xx;	/	M3	6.5mm	19.2mm/ 2-@180°
2	LUXEON CoB M02; LUXEON CoB M03;	BJB Holder 47.319.6104.50			M3	6.5mm	25.0mm/ 2-@180°
	LUXEON 1202s; LUXEON 1202HD;	BJB Holder 47.319.6180.50 TE Holder 2213118-2					
4	LUXEON 1202; LUXEON 1203;	TE Holder 2213382-1			M3	6.5mm	35.0mm/ 2-@180° (Zhaga Book 3)



**EtraLED**

**EtraLED-LUM-7050 LumiLEDs Modular Passive Star Heat Sink Φ70mm**

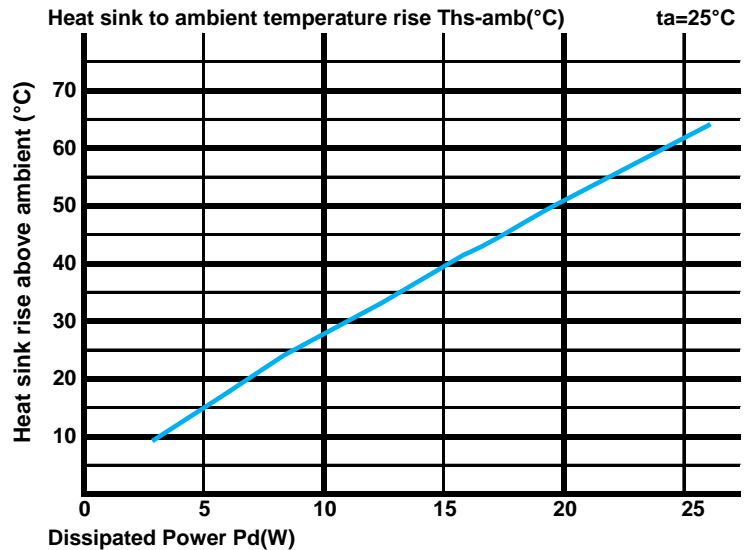
**The product data table**

	<b>Model No.</b>	EtraLED-LUM-7050
	<b>Heatsink Size</b>	Φ70xH50mm
	<b>Heatsink Material</b>	AL6063-T5
	<b>Finish</b>	Black Anodized
	<b>Weight (g)</b>	192.0
	<b>Dissipated power (T<sub>hs-amb</sub>,50°C)</b>	20.0 (W)
	<b>Cooling surface area (mm<sup>2</sup>)</b>	79093
	<b>Thermal Resistance (R<sub>hs-amb</sub>)</b>	2.5 (°C/W)

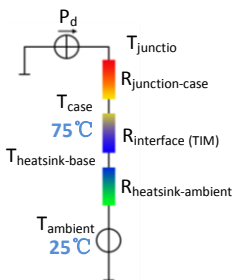
**The thermal data table**

\* Please be aware the dissipated power Pd is not the same as the electrical power Pe of a LED module.  
 \*To calculate the dissipated power please use the following formula: Pd = Pe x (1-ηL).  
 Pd - Dissipated power ; Pe - Electrical power ; ηL = Light efficiency of the LED module;

Dissipated Power Pd(W)	Pd = Pe x (1-ηL)	Heat sink to ambient thermal resistance R <sub>hs-amb</sub> (°C/W)	Heat sink to ambient temperature rise Ths-amb (°C)
		EtraLED-LUM-7050	
5.0		3.00	15.0
10.0		2.70	27.0
15.0		2.60	39.0
20.0		2.50	50.0
25.0		2.44	61.0



\*The aluminum substrate side of the package outer shell is thermally connected to the heat sink via TIM (Thermal interface material).  
 MingFa recommends the use of a high thermal conductive interface between the LED module and the LED cooler.  
 Either thermal grease, A thermal pad or a phase change thermal pad thickness 0.1-0.15mm is recommended.



\*Thermal resistance is a heat property and a measurement of a temperature difference by which an object or material resists a heat flow. Geometric shapes are different, the thermal resistance is different. Formula:  $\theta = (T_{hs} - T_a) / P_d$   
 θ - Thermal Resistance [°C/W]; Ths - Heatsink temperature ; Ta - Ambient temperature ;

\*The thermal resistance between the junction section of the light-emitting diode and the aluminum substrate side of the package outer shell is R<sub>junction-case</sub>, the thermal resistance of the TIM outside the package is R<sub>interface (TIM)</sub> [°C/W], the thermal resistance with the heat sink is R<sub>heatsink-ambient</sub> [°C/W], and the ambient temperature is T<sub>ambient</sub> [°C].

\*Thermal resistances outside the package R<sub>interface (TIM)</sub> and R<sub>heatsink-ambient</sub> can be integrated into the thermal resistance R<sub>case-ambient</sub> at this point. Thus, the following formula is also used:  
 $T_{junction} = (R_{junction-case} + R_{case-ambient}) \cdot P_d + T_{ambient}$