



for

LED

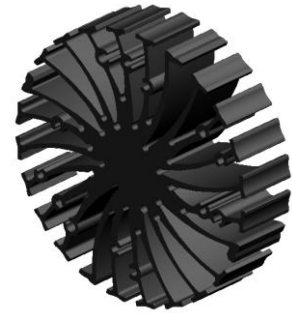


EtraLED

EtraLED-OSR-8520 Osram Modular Passive Star LED Heat Sink Φ 85mm

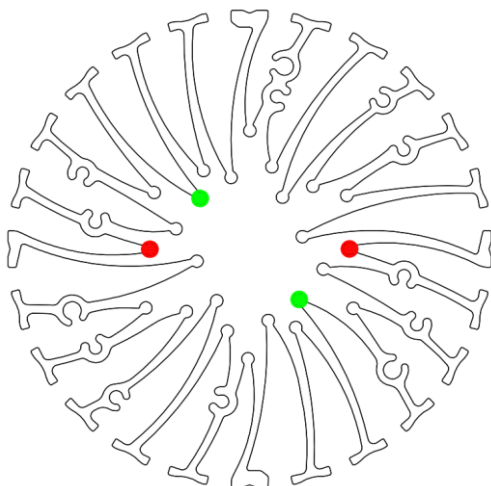
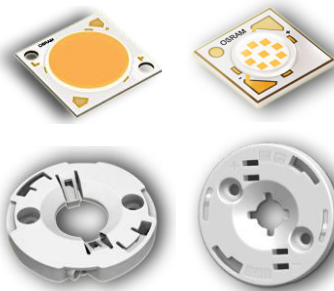
Features VS Benefits

- * The EtraLED-OSR-8520 Osram Modular Passive Star LED Heat Sink are specifically designed for luminaires using the Osram LED engines.
- * Mechanical compatibility with direct mounting of the LED engines to the LED cooler and thermal performance matching the lumen packages.
- * For spotlight and downlight designs from 700 to 2500 lumen.
- * Thermal resistance range R_{th} 2.0°C/W.
- * Modular design with mounting holes foreseen for direct mounting of Osram SOLERIQ P9, SOLERIQ S13 and SOLERIQ S19 LED engines.
- * Diameter 85mm - standard height 20mm Other heights on request.
- * Extruded from highly conductive aluminum.



Zhaga LED engine and radiator assembly is a unified future international standardization

- * Below you find an overview of Osram COB's and LED modules which standard fit on the EtraLED Star LED Heat Sinks.
- * In this way mechanical after work and related costs can be avoided, and lighting designers can standardize their designs on a limited number of Star LED Heat Sinks.



Osram LED engines for which Zhaga book3 LED Modules holders are available.

For the Osram SOLERIQ S19 LED modules.
(AAG.STUCCHI holder:8503-G2); (BJB holder:47.319.2170.50);

- | | |
|-------------------------|-------------------------|
| GW KAHJB1.EM-SSSU-27S3; | GW KAHJB1.EM-SQSS-27S3; |
| GW KAHJB1.EM-SSSU-30S3; | GW KAHJB1.EM-SQSS-30S3; |
| GW KAHJB1.EM-STTP-35S3; | GW KAHJB1.EM-SRST-35S3; |
| GW KAHJB1.EM-STTP-40S3; | GW KAHJB1.EM-SRST-40S3; |

Zhaga Book3 Red indicator marks:
Direct mounting with machine screws M3x8mm;

Osram LED engines for which Zhaga book11 LED Modules holders are available.

For the Osram SOLERIQ P9 modules.
(AAG.STUCCHI holder:8501-G2); (BJB holder:47.319.6200.50);

- | | |
|-------------------------|-------------------------|
| GW MAFJB1.EM-RTSQ-27S3; | GW MAFJB1.CM-RSSP-27S3; |
| GW MAFJB1.EM-RUSR-30S3; | GW MAFJB1.CM-RTSQ-30S3; |
| GW MAFJB1.EM-RUSS-35S3; | GW MAFJB1.CM-RTSR-35S3; |
| GW MAFJB1.EM-SPST-40S3; | GW MAFJB1.CM-RUSS-40S3; |
| GW MAFJB1.EM-SPST-50S3; | |

For the Osram SOLERIQ S13 modules.
(BJB holder:47.319.6111.50);

- | | |
|-------------------------|-------------------------|
| GW KAGHB1.EM-RRRU-27H3; | GW KAGHB1.CM-RQRT-27H3; |
| GW KAGHB1.EM-RSRU-30H3; | GW KAGHB1.CM-RRRT-30H3; |
| GW KAGHB1.EM-RSRU-35H3; | GW KAGHB1.CM-RSRU-40H3; |
| GW KAGHB1.EM-RTSP-40H3; | |
| GW KAGHB1.EM-RTSP-50H3; | |
| GW KAGHB1.EM-RTSP-57H3; | |
| GW KAGHB1.EM-RTSP-65H3; | |

Zhaga Book11 Green indicator marks:
Direct mounting with machine screws M3x8mm;

Tel:+86-769-39023131
E-fax:+86-(020)28819702 ext:22122
Email:sales@mingfatech.com
Http://www.heatsinkled.com
Http://www.mingfatech.com





for

LED



EtraLED

EtraLED-OSR-8520 Osram Modular Passive Star LED Heat Sink Φ 85mm

Mounting Options and Drawings & Dimensions

Example:EtraLED-OSR-8520-B-3

Example:EtraLED-OSR-85 **1** - **2** - **3**

- 1** Height (mm)
- 2** Anodising Color
B-Black
C-Clear
Z-Custom
- 3** Mounting Options - see graphics for details Combinations available
Ex.order code - 12
means option 1 and 2 combined

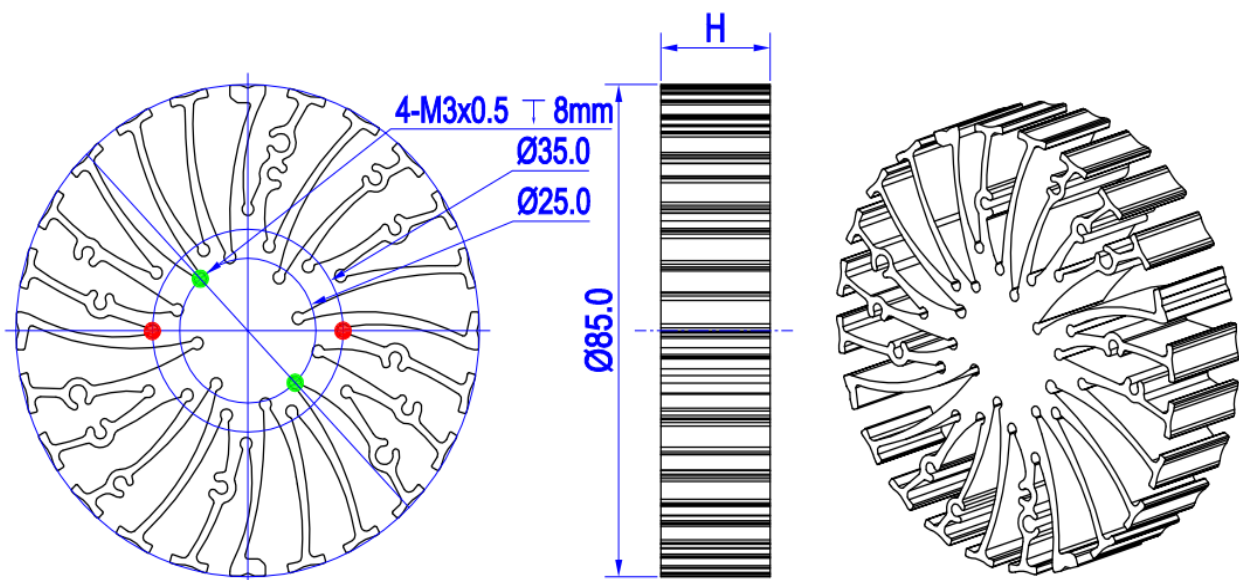
Notes:

- Mentioned models are an extraction of full product range.
- For specific mechanical adaptations please contact MingfaTech.
- MingfaTech reserves the right to change products or specifications without prior notice.



A. A. G.
STUCCHI
Ideas are made of light

MOUNTING OPTION	Module type	Holder NO.	THREAD	THREAD DEPTH	THREAD HOLE DISTANCE
1	SOLERIQ P9	AAG.STUCCHI (8501-G2)	M3	8mm	25.0mm/ 2-@180°
		BJB (47.319.6200.50)			
	SOLERIQ S13	BJB (47.319.6111.50)			
2	SOLERIQ S19	AAG.STUCCHI (8503-G2)	M3	8mm	35.0mm/ 2-@180°
		BJB (47.319.2170.50)			



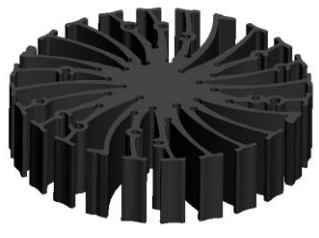
Tel:+86-769-39023131
E-fax:+86-(020)28819702 ext:22122
Email:sales@mingfatech.com
Http://www.heatsinkled.com
Http://www.mingfatech.com



EtraLED

EtraLED-OSR-8520 Osram Modular Passive Star LED Heat Sink Φ 85mm

The thermal data table

	 <i>EtraLED-8520</i>
Model No.	EtraLED-OSR-8520
Size	Φ 85xH20mm
Material	AL6063-T5
Finish	Black Anodized
Weight(gr)	115.0
Thermal Wattage	25.0W
HeatsinkOs-a²	40076
Heat Sink T Rise Above Ambient	2.0

Dissipated Power Pd(W)	Pd = Pe x (1- η L)	Heat sink to ambient thermal resistance Rhs-amb ($^{\circ}$ C/W)	Heat sink to ambient temperature rise Ths-amb ($^{\circ}$ C)
		EtraLED-OSR-8520	EtraLED-OSR-8520
6		2.7	16
12		1.8	22
18		2.1	37
24		2.0	48
30		1.9	57

