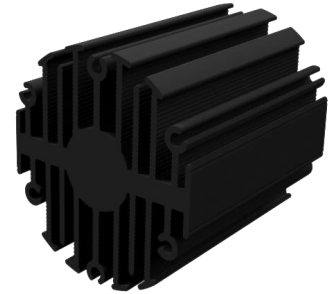


**eLED**

**eLED-PHI-4650 for Philips Modular Passive Star LED Heat Sink  $\Phi$ 46mm**

### Features VS Benefits

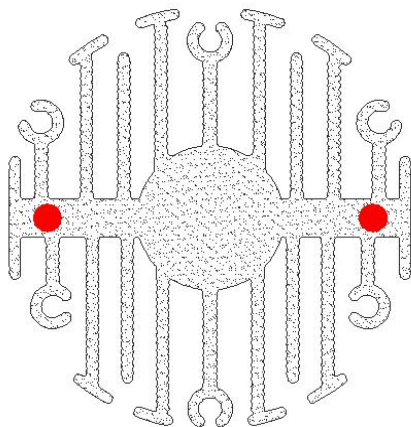
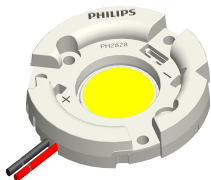
- \* The eLED-PHI-4650 Philips Modular Passive LED Coolers are specifically designed for luminaires using the Philips LED engines.
- \* Mechanical compatibility with direct mounting of the LED engines to the LED cooler and thermal performance matching the lumen packages.
- \* For spotlight and downlight designs from 450 to 1200 lumen.
- \* Thermal resistance range  $R_{th}$  5.0°C/W.
- \* Modular design with mounting holes foreseen for direct mounting of Philips SLM engines.
- \* Diameter 46.5mm - standard height 50mm Other heights on request.
- \* Extruded from highly conductive aluminum.



### Zhaga LED engine and radiator assembly is a unified future international standardization

- \* Below you find an overview of Philips COB's and LED modules which standard fit on the eLED coolers.
- \* In this way mechanical after work and related costs can be avoided, and lighting designers can standardize their designs on a limited number of LED coolers.

**PHILIPS**



Philips Spot Light LED engines for which Zhaga book3 LED Modules holders are available.

#### Philips Fortimo SLM LED modular Gen2:

Fortimo LED SLM 800LM 827 L13 G2;  
 Fortimo LED SLM 800LM 830 L13 G2;  
 Fortimo LED SLM 800LM 835 L13 G2;

Fortimo LED SLM 800LM 840 L13 G2;  
 Fortimo LED SLM 800LM 927 L13 G2;  
 Fortimo LED SLM 800LM 930 L13 G2;

Fortimo LED SLM 1100LM 827 L13 G2;  
 Fortimo LED SLM 1100LM 830 L13 G2;  
 Fortimo LED SLM 1100LM 835 L13 G2;  
 Fortimo LED SLM 1100LM 840 L13 G2;

#### Philips Fortimo SLM LED modular Gen4:

Fortimo LED SLM 1100LM 827 L9 G4;  
 Fortimo LED SLM 1100LM 830 L9 G4;  
 Fortimo LED SLM 1100LM 840 L9 G4;

Fortimo LED SLM 1100LM 827 L13 G4;  
 Fortimo LED SLM 1100LM 830 L13 G4;  
 Fortimo LED SLM 1100LM 840 L13 G4;

With Zhaga Book 3 LED holder for red indicator marks.  
 Direct mounting with machine screws M3x8mm;

## eLED

eLED-PHI-4650 for Philips Modular Passive Star LED Heat Sink  $\Phi$ 46mm

### Mounting Options and Drawings & Dimensions

Example: eLED-PHI-4650-B-1

Example: eLED-PHI-46 **1** - **2** - **3**

- 1** Height (mm)
- 2** Anodising Color
  - B-Black
  - C-Clear
  - Z-Custom
- 3** Mounting Options - see graphics for details Combinations available  
Ex.order code - 12  
means option 1 and 2 combined

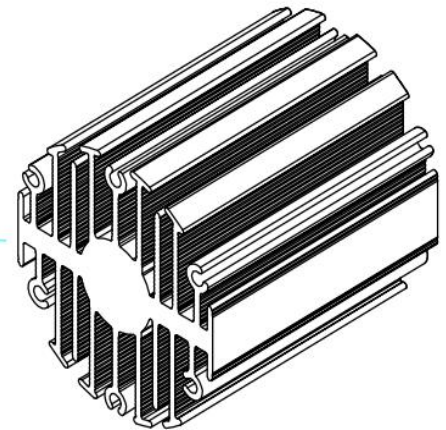
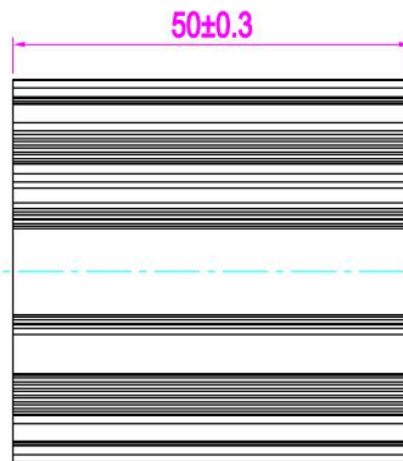
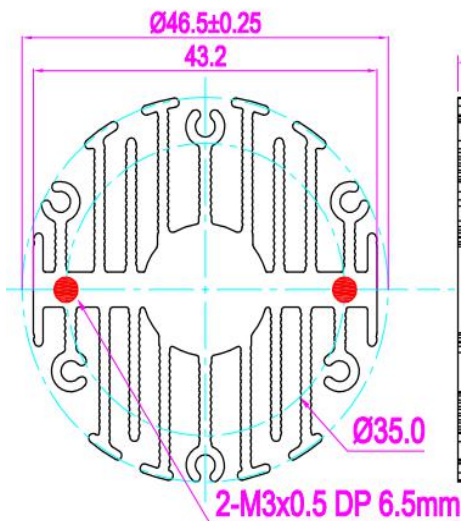
#### Notes:

- Mentioned models are an extraction of full product range.
- For specific mechanical adaptations please contact MingfaTech.
- MingfaTech reserves the right to change products or specifications without notification.

# PHILIPS



MOUNTING OPTION	Module type	Holder NO.	THREAD	THREAD DEPTH	THREAD HOLE DISTANCE
1	Fortimo SLM	/	M3	6.5mm	35.0mm/ 2-@180°



for

LED

eLED

eLED-PHI-4650 for Philips Modular Passive Star LED Heat Sink  $\Phi 46\text{mm}$

The thermal data table

	
	<i>eLED-4650</i>
<b>Model No.</b>	<b>eLED-PHI-4650</b>
<b>Size</b>	<b><math>\Phi 46.5 \times H 50\text{mm}</math></b>
<b>Material</b>	<b>AL6063-T5</b>
<b>Finish</b>	<b>Black Anodized</b>
<b>Weight(gr)</b>	<b>101</b>
<b>Thermal Wattage</b>	<b>10.0W</b>
<b>Heatsink <math>\Theta_{s-a^2}</math></b>	<b>41280</b>
<b>Heat Sink T Rise Above Ambient</b>	<b>5.0</b>

Dissipated Power Pd(W)	Pd = Pe x (1- $\eta$ L)	Heat sink to ambient thermal resistance Rhs-amb ( $^{\circ}\text{C}/\text{W}$ )	Heat sink to ambient temperature rise T <sub>hs-amb</sub> ( $^{\circ}\text{C}$ )
		eLED-PHI-4650	
3		5.67	17
6		5.50	33
9		5.22	47
12		4.83	58
15		4.33	65

