



for

LED

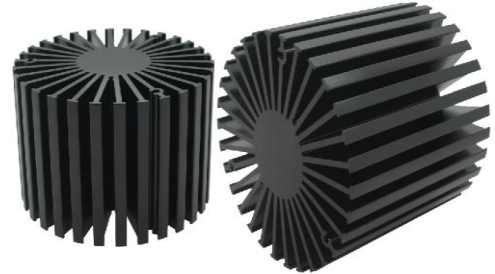


SimpoleD

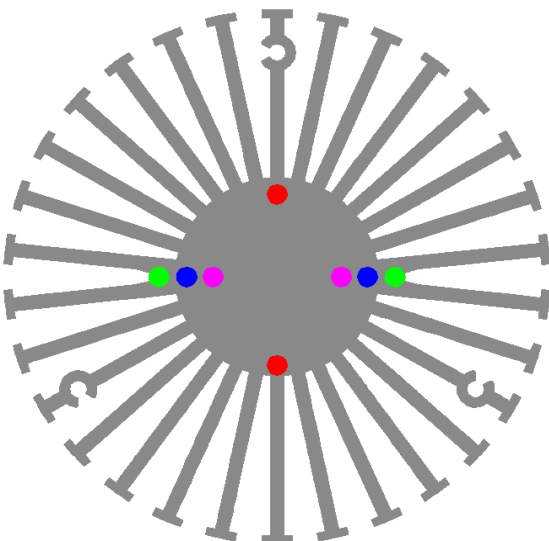
SimpoleD-CIT-8150 for Citizen Modular Passive LED Cooler Φ 81mm

Features VS Benefits

- * The SimpoleD-8150 Citizen Modular Passive LED Coolers are specifically designed for luminaires using the Citizen LED engines.
- * Mechanical compatibility with direct mounting of the LED engines to the LED cooler and thermal performance matching the lumen packages.
- * For spotlight and downlight designs from 900 to 3700 lumen.
- * Thermal resistance range Rth 1.9°C/W.
- * Modular design with mounting holes foreseen for direct mounting of Citizen *CLL012/CLL020/022/CU024 /CLL030/032 and CUL034 COB engines.
- * Diameter 81mm - standard height 50mm Other heights on request.
- * Extruded from highly conductive aluminum.
- * Citizen LED engine and radiator assembly directly Mounting Options
- * Below you find an overview of Citizen COB's and LED modules which standard fit on the SimpoleD coolers.
- * In this way mechanical after work and related costs can be avoided, and lighting designers can standardize their designs on a limited number of LED coolers.



CITIZEN
Micro HumanTech



Citizen CLL020-022 and CLU 024 LED COB's for which Zhaga LED Modules holders are available Mounting Options

Citizen CLL020-022 LED Modules:

- | | |
|-----------------------|-----------------------|
| CLL020-1202A5-50xxxx; | CLL022-1202A5-50xxxx; |
| CLL020-1202A5-40xxxx; | CLL022-1202A5-40xxxx; |
| CLL020-1202A5-35xxxx; | CLL022-1202A5-35xxxx; |
| CLL020-1202A5-30xxxx; | CLL022-1202A5-30xxxx; |
| CLL020-1202A5-27xxxx; | CLL022-1202A5-27xxxx; |
| CLL020-1203A5-50xxxx; | CLL022-1203A5-50xxxx; |
| CLL020-1203A5-40xxxx; | CLL022-1203A5-40xxxx; |
| CLL020-1203A5-35xxxx; | CLL022-1203A5-35xxxx; |
| CLL020-1203A5-30xxxx; | CLL022-1203A5-30xxxx; |
| CLL020-1203A5-27xxxx; | CLL022-1203A5-27xxxx; |

Citizen CLU024 LED Modules:

- | | |
|------------------------|------------------------|
| CLU024-1201B8-50XXXXX; | CLU024-1203B8-50XXXXX; |
| CLU024-1201B8-40XXXXX; | CLU024-1203B8-40XXXXX; |
| CLU024-1201B8-35XXXXX; | CLU024-1203B8-35XXXXX; |
| CLU024-1201B8-30XXXXX; | CLU024-1203B8-30XXXXX; |
| CLU024-1201B8-27XXXXX; | CLU024-1203B8-27XXXXX; |
| CLU024-1202B8-50XXXXX; | CLU024-1204B8-50XXXXX; |
| CLU024-1202B8-40XXXXX; | CLU024-1204B8-40XXXXX; |
| CLU024-1202B8-35XXXXX; | CLU024-1204B8-35XXXXX; |
| CLU024-1202B8-30XXXXX; | CLU024-1204B8-30XXXXX; |
| CLU024-1202B8-27XXXXX; | CLU024-1204B8-27XXXXX; |

Direct mounting with machine screws M3x6mm;
Red indicator marks.
With Zhaga Book11 holders

Zhaga Book 11 LED holder
BJB Spotlight connector 47.319.6060.50
TE Connectivity 1pc LED holder 6-2154874-1
TE Connectivity Scalable 2pc LED holder 2-2154857-1
Mounting with 2 screws M3 x 8mm
Pink indicator marks





for

LED

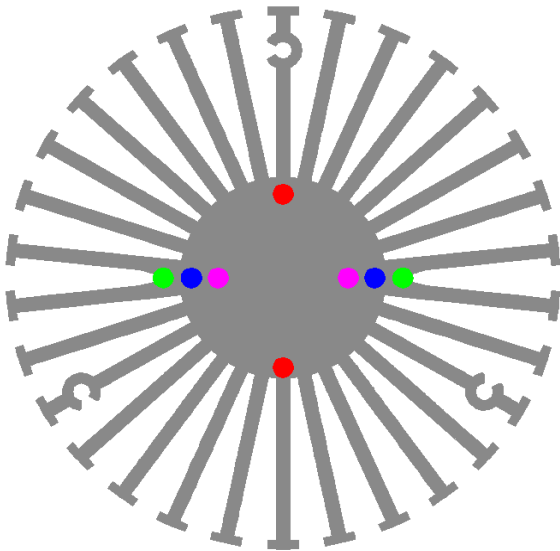


SimpoleD

SimpoleD-CIT-8150 for Citizen Modular Passive LED Cooler Φ 81mm

CITIZEN

Micro HumanTech



Citizen CLL030-032 and CLU034 LED COB's for which Zhaga LED Modules holders are available Mounting Options

Citizen CLL030-CLL032 LED Modules:

CLL030-1205A5-50XXXX;
CLL030-1205A5-40XXXX;
CLL030-1205A5-35XXXX;
CLL030-1205A5-30XXXX;
CLL030-1205A5-27XXXX;
CLL030-1206A5-50XXXX;
CLL030-1206A5-40XXXX;
CLL030-1206A5-35XXXX;
CLL030-1206A5-30XXXX;
CLL030-1206A5-27XXXX;

CLL032-1205A5-50XXXX;
CLL032-1205A5-40XXXX;
CLL032-1205A5-35XXXX;
CLL032-1205A5-30XXXX;
CLL032-1205A5-27XXXX;
CLL032-1206A5-50XXXX;
CLL032-1206A5-40XXXX;
CLL032-1206A5-35XXXX;
CLL032-1206A5-30XXXX;
CLL032-1206A5-27XXXX;

Citizen CLU034 LED Modules:

CLU034-xxxx

Zhaga Book 3 LED holder
BJB Spotlight connector 47.319.2020.50
TE Connectivity Lumawise type Z50 2213254-1
TE Connectivity Lumawise type Z50 2213254-2
Mounting with 2 screws M3 x 8mm
Green indicator marks
Direct mounting with machine screws M3x6mm;
Blue indicator marks.



for

LED



SimpoleD

SimpoleD-CIT-8150 for Citizen Modular Passive LED Cooler $\Phi 81\text{mm}$

Mounting Options and Drawings & Dimensions

Example: SimpoleD-CIT-8150-B-3

Example: SimpoleD-CIT-81 **1** - **2** - **3**

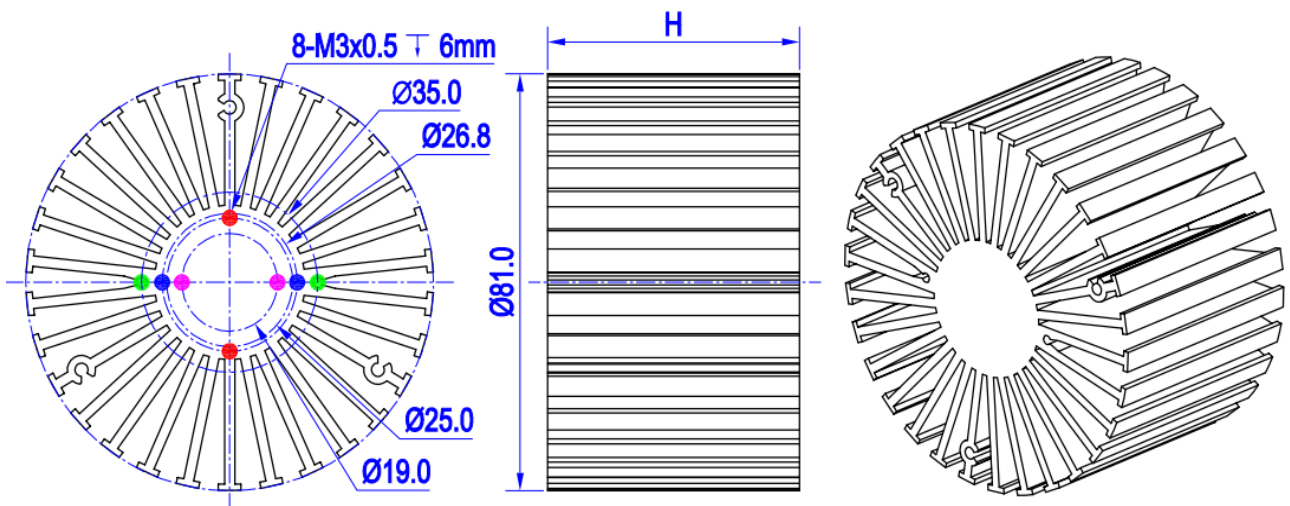
- 1** Height (mm)
- 2** Anodising Color
 - B-Black
 - C-Clear
 - Z-Custom
- 3** Mounting Options - see graphics for details Combinations available
 - Ex.order code - 12
 - means option 1 and 2 combined

Notes:

- Mentioned models are an extraction of full product range.
- For specific mechanical adaptations please contact MingfaTech.
- MingfaTech reserves the right to change products or specifications without prior notice.



MOUNTING OPTION	Module type	Holder NO.	THREAD	THREAD DEPTH	THREAD HOLE DISTANCE
1	CLL020-022 CLU024	/	M3	6mm	19mm/ 2-@180°
2	CLL020-022 CLU024	BJB:47.319.6060.50 Zhaga Book11	M3	5mm	25mm/ 2-@180°
3	CLL030-032 CLU034	/	M3	6mm	26.8mm/ 2-@180°
4	CLL030-032 CLU034	BJB:47.319.2020.50 Zhaga Book3	M3	6mm	35mm/ 2-@180°



Tel: +86-769-39023131
 E-fax: +86-(020)28819702 ext:22122
 Email:sales@mingfatech.com
 Http://www.heatsinkled.com
 Http://www.mingfatech.com





for

LED



SimpLED

SimpLED-CIT-8150 for Citizen Modular Passive LED Cooler $\Phi 81\text{mm}$

The thermal data table

	 <i>SimpLED-8150</i>
Model No.	SimpLED-CIT-8150
Size	$\Phi 81 \times H 50\text{mm}$
Material	AL6063-T5
Finish	Black Anodized
Weight(g)	318.0
Thermal Wattage	26.5W
Heatsink $\Theta_s\text{-a}^2$	94517
Heat Sink T Rise Above Ambient	1.9

Dissipated Power Pd(W)	Pd = Pe x (1- η)L	Heat sink to ambient thermal resistance Rhs-amb ($^{\circ}\text{C}/\text{W}$)	Heat sink to ambient temperature rise Ths-amb ($^{\circ}\text{C}$)
		SimpLED-CIT-8150	SimpLED-CIT-8150
6		2.60	15.6
12		2.18	26.2
18		2.00	36.0
24		1.95	46.8
30		1.72	51.6

