



LED



EtraLED

EtraLED-SHA-7080 Sharp Modular Passive Star LED Heat Sink Φ 70mm

Features VS Benefits

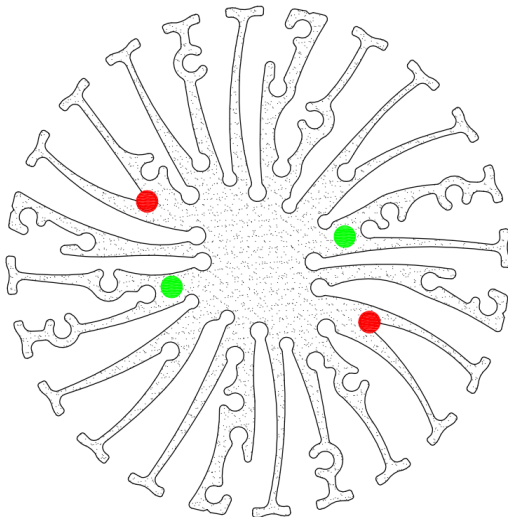
- * The EtraLED-SHA-7080 SHARP Modular Passive LED Coolers are specifically designed for luminaires using the SHARP LED engines.
- * Mechanical compatibility with direct mounting of the LED engines to the LED cooler and thermal performance matching the lumen packages.
- * For spotlight and downlight designs from 1300 to 3400 lumen.
- * Thermal resistance range R_{th} 1.8°C/W.
- * Modular design with mounting holes foreseen for direct mounting of SHARP Mini Zenigata, Tiger Zenigata and Mega Zenigata LED engines.
- * Diameter 70mm - standard height 80mm Other heights on request.
- * Extruded from highly conductive aluminum.



Zhaga LED engine and radiator assembly is a unified future international standardization

- * Below you find an overview of SHARP engines COB's and LED modules which standard fit on the EtraLED Simpo coolers.
- * In this way mechanical after work and related costs can be avoided, and lighting designers can standardize their designs on a limited number of LED coolers.

SHARP



Sharp LED Modules Mounting indicator marks overview

Mega Zenigata LED modules name:

GW6DGA27XFC;	GW6DMC27XFC;
GW6DGA30XFC;	GW6DMC30XFC;
GW6DGA40XFC;	GW6DMC40XFC;
GW6DGA50XFC;	GW6DMC50XFC;
GW6DGC27XFC;	GW6DMA27XFC;
GW6DGC30XFC;	GW6DMA30XFC;
GW6DGC40XFC;	GW6DMA35XFC;
GW6DGC50XFC;	GW6DMA40XFC;
GW6TGCBG40C;	GW6DMA50XFC;

Zhaga Book3 Holders:

BJB Spotlight connector:47.319.2011.50;
 TE Connectivity:2213130-2
 Direct mounting with machine screws M3x8mm;
 Red indicator marks

Mini Mega Zenigata LED modules name:

GW6BMR27HED;	GW6BGR27HED;
GW6BMR30HED;	GW6BGR30HED;
GW6BMR40HED;	GW6BGR40HED;
GW6BMR50HED;	GW6BGR50HED;
GW6BMS27HED;	GW6BGS27HED;
GW6BMS30HED;	GW6BGS30HED;
GW6BMS40HED;	GW6BGS40HED;
GW6BMS50HED;	GW6BGS50HED;

Zhaga Book11 Holders:

BJB Spotlight connector:47.319.6180.50;
 Direct mounting with machine screws M3x8mm;
 Red indicator marks

Tel:+86-769-39023131
 E-fax:+86-(020)28819702 ext:22122
 Email:sales@mingfatech.com
 Http://www.heatsinkled.com
 Http://www.mingfatech.com





LED



EtraLED

EtraLED-SHA-7080 Sharp Modular Passive Star LED Heat Sink Φ 70mm

Mounting Options and Drawings & Dimensions

Example: EtraLED-SHA-7080-B-3

Example: EtraLED-SHA-70 **1** - **2** - **3**

- 1** Height (mm)
- 2** Anodising Color
B-Black
C-Clear
Z-Custom
- 3** Mounting Options - see graphics for details Combinations available
Ex.order code - 12
means option 1 and 2 combined

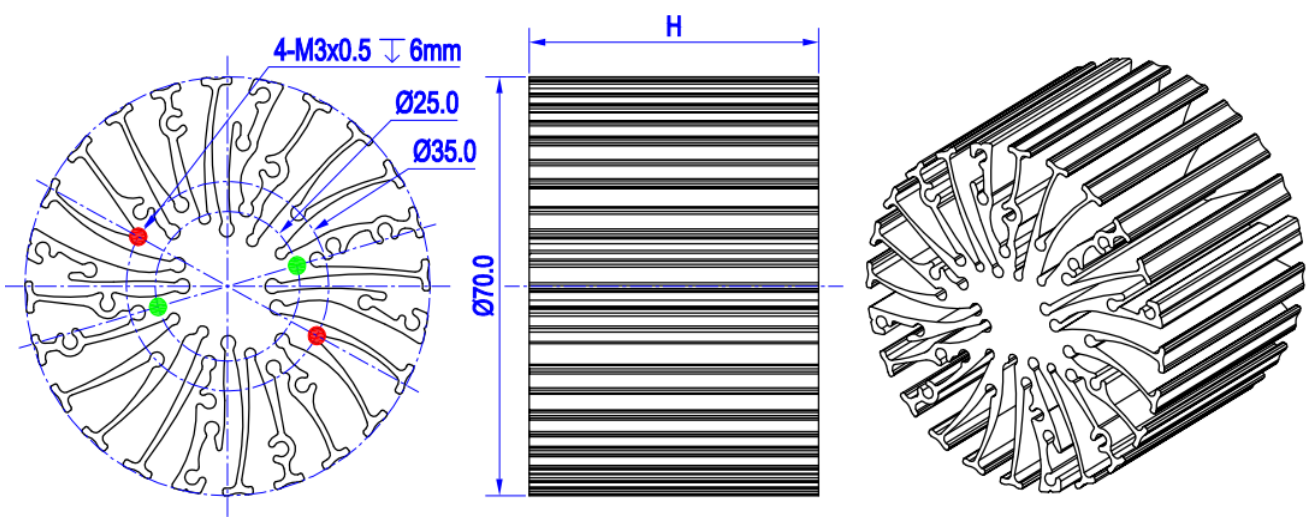
Notes:

- Mentioned models are an extraction of full product range.
- For specific mechanical adaptations please contact MingfaTech.
- MingfaTech reserves the right to change products or specifications without prior notice.

SHARP



MOUNTING OPTION	Module type	Holder NO.	THREAD	THREAD DEPTH	THREAD HOLE DISTANCE
1	Mini ZENIGATA	BJB:(47.319.6180.50)	M3	6mm	25.0mm/ @180°
2	Mega ZENIGATA Tiger Zenigataand	BJB:(47.319.2011.50)	M3	6mm	35.0mm/ @180°
		Type :(2213130-2)			



Tel:+86-769-39023131
 E-fax:+86-(020)28819702 ext:22122
 Email:sales@mingfatech.com
 Http://www.heatsinkled.com
 Http://www.mingfatech.com



EtraLED

EtraLED-SHA-7080 Sharp Modular Passive Star LED Heat Sink Φ 70mm

The thermal data table

	
	<i>EtraLED-7080</i>
Model No.	EtraLED-SHA-7080
Size	Φ 70xH80mm
Material	AL6063-T5
Finish	Black Anodized
Weight(gr)	308.0
Thermal Wattage	28.1W
HeatsinkOs-a²	124837
Heat Sink T_{Rise Above Ambient}	1.80

Dissipated Power Pd(W)	Pd = Pe x (1- η L)	Heat sink to ambient thermal resistance Rhs-amb (°C/W)	Heat sink to ambient temperature rise Ths-amb (°C)
		EtraLED-SHA-7080	EtraLED-SHA-7080
5		2.80	13.0
10		2.35	24.0
15		2.15	32.0
20		1.92	39.0
30		1.80	53.0

