



for

LED

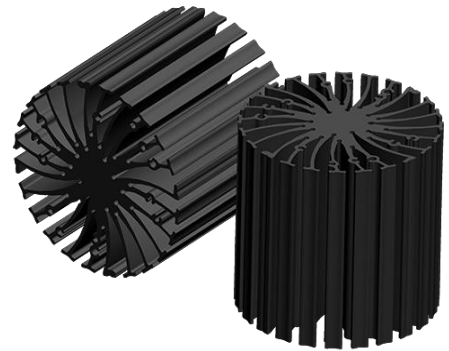


EtraLED

EtraLED-PRO-8580 Prolight Modular Passive Star LED Heat Sink Φ 85mm

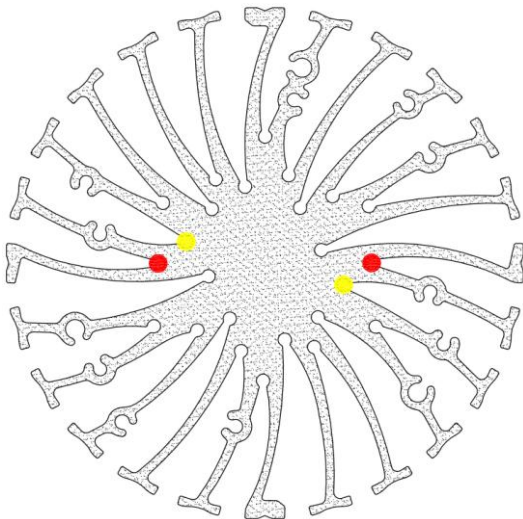
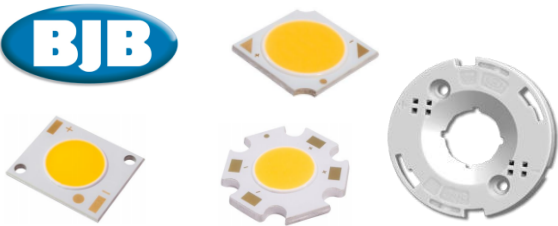
Features VS Benefits

- * The EtraLED-PRO-8580 Prolight Modular Passive Star LED Heat Sinks are specifically designed for luminaires using the Prolight LED engines.
- * Mechanical compatibility with direct mounting of the LED engines to the LED cooler and thermal performance matching the lumen packages.
- * For spotlight and downlight designs from 1800 to 4500 lumen.
- * Thermal resistance range R_{th} 1.3°C/W.
- * Modular design with mounting holes foreseen for direct mounting of Prolight COB series LED engines.
- * Diameter 85mm - standard height 80mm Other heights on request.
- * Extruded from highly conductive aluminum.



Zhaga LED engine and radiator assembly is a unified future international standardization

- * Below you find an overview of Prolight COB's and LED modules which standard fit on the EtraLED Star LED Heat Sinks.
- * In this way mechanical after work and related costs can be avoided, and lighting designers can standardize their designs on a limited number of Star LED Heat Sinks.



Prolight LED engines Mounting Options

COB CII Series Modules names:

PACC-18xxx-xxxx ;

With Zhaga Book 3 for red indicator marks:

BJB Holder:47.319.2021.50;

Direct mounting with machine screws M3x8mm;

Without LED holders for yellow indicator marks.

Direct mounting with machine screws M3x6mm;

COB BI Series Modules names:

PABA-15xxx-xxxx ;

PABA-26xxx-xxxx ;

PABA-35xxx-xxxx ;

With Zhaga Book 3 for red indicator marks:

BJB Holder:47.319.2040.50;

Direct mounting with machine screws M3x8mm;

Without LED holders for yellow indicator marks.

Direct mounting with machine screws M3x6mm;

Tel:+86-769-39023131

E-fax:+86-(020)28819702 ext:22122

Email:sales@mingfatech.com

Http://www.heatsinkled.com

Http://www.mingfatech.com





for

LED



EtraLED

EtraLED-PRO-8580 Prolight Modular Passive Star LED Heat Sink $\Phi 85\text{mm}$

Mounting Options and Drawings & Dimensions

Example: EtraLED-PRO-8580-B-3

Example: EtraLED-PRO-85 **1** - **2** - **3**

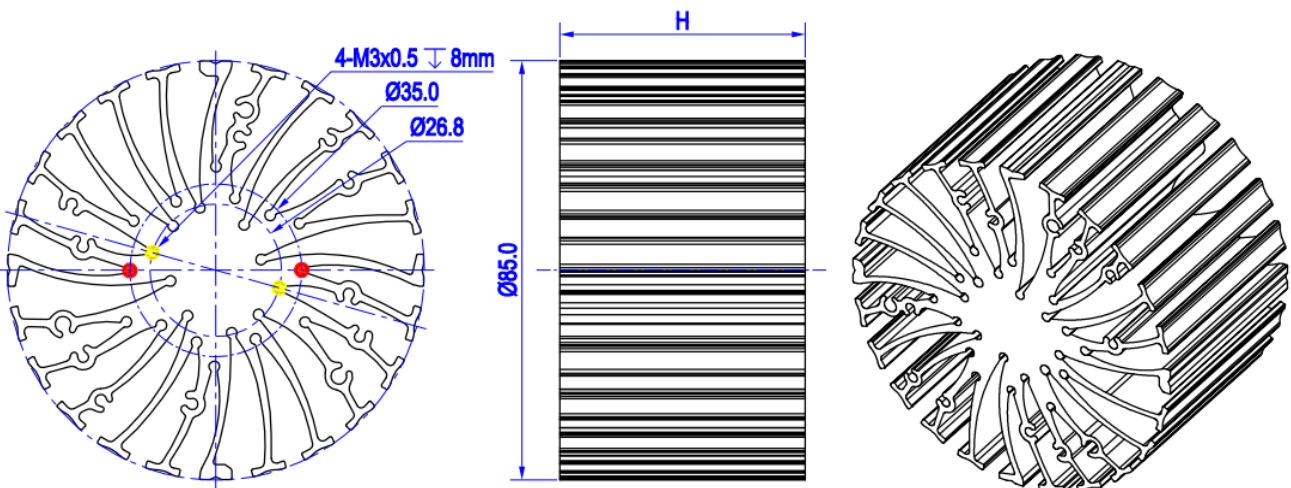
- 1** Height (mm)
- 2** Anodising Color
B-Black
C-Clear
Z-Custom
- 3** Mounting Options - see graphics for details Combinations available
Ex.order code - 12
means option 1 and 2 combined



Notes:

- Mentioned models are an extraction of full product range.
- For specific mechanical adaptations please contact MingfaTech.
- MingfaTech reserves the right to change products or specifications without prior notice.

MOUNTING OPTION	Module type	Holder NO.	THREAD	THREAD DEPTH	THREAD HOLE DISTANCE
1	COB BI Series COB CII Series	/	M3	8mm	26.8mm/ 2-@180°
2	COB CII Series	BJB 47.319.2021.50	M3	8mm	35.0mm/ 2-@180° Zhaga Book3
	COB BI Series	BJB 47.319.2040.50			



EtraLED

EtraLED-PRO-8580 Prolight Modular Passive Star LED Heat Sink Φ 85mm

The thermal data table

	 <i>EtraLED-8580</i>
Model No.	EtraLED-PRO-8580
Size	Φ85xH80mm
Material	AL6063-T5
Finish	Black Anodized
Weight(gr)	458.0
Thermal Wattage	38.0W
HeatsinkOs-a²	148458
Heat Sink T Rise Above Ambient	1.30

Dissipated Power Pd(W)	Pd = Pe x (1-ηL)	Heat sink to ambient thermal resistance Rhs-amb (°C/W)	Heat sink to ambient temperature rise Ths-amb (°C)
		EtraLED-PRO-8580	EtraLED-PRO-8580
10		1.9	19
15		1.7	26
20		1.6	32
25		1.5	37
30		1.4	43
35		1.4	48
40		1.3	53
50		1.2	62

