



CP203047 3.0V

Electrical characteristers

Typical values relative to cells stored for one year

Nominal capacity	650mAh
Discharged capacity at 1.0mA,+25°C , 2V cut off.	
Nominal voltage	3.0V
Max. recommended continuous current	200mA
Discharged to 2V at + 25°C permitting 50% of the Nominal capacity to be achieved	
Max. Pulse current	400mA
15 seconds at 25°C drained with 50% of the nominal capacity ,yield voltage reading above 2V. The value may vary with the pulse characteristics,the temperature and the cell's previous history.	
Storage	最高为30°C
Operating temperature range	-20~+60°C
Weight	约5.0g

Key features

- High and stable operating voltage
- Long shelf life Annual self-discharge rate lower than 2% at +20°C
- Hermetic Sealing
- Compliant with IEC 86-4 safety standard
- Non-restricted for transport
- UL Component Recognition File Number MH46165

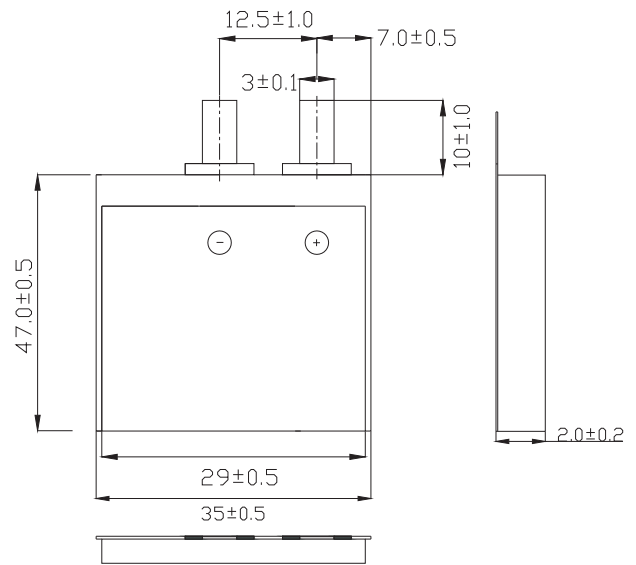
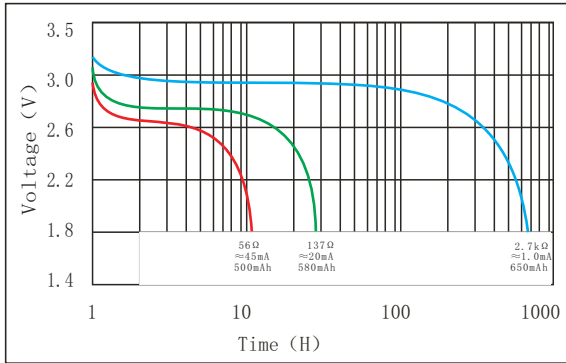
Main applications

- active tags
- Alarms or security equipment
- Smoke detector
- Memory backup
- Real time clock
- Professional electronic equipment
- Medical equipment
-

Warning

Don't charge crush,disassemble,expose contents to water,heat above 80°C, or may lead to explosion, burn or goods leakage.Discarded battery should be buried deeply to the ground.

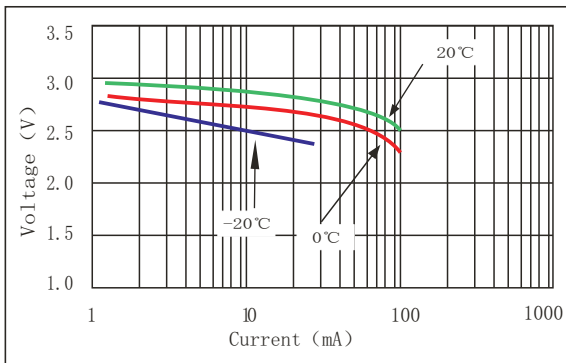
Discharge characteristics at 25°C



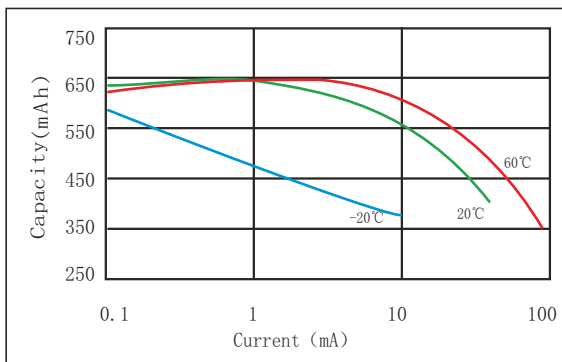
Dimensions in mm

Special terminal can be made according to customer's requirement

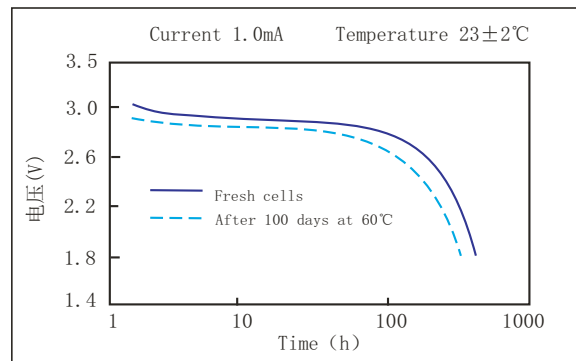
Voltage VS Current & Temperature Curve



Capacity VS Current & Temperature Curve



Storage characteristics



Data in this page is subject to change without notice and becomes contractual only after written confirmation by Fute.

WUHAN FANSO TECHNOLOGY CO.,LTD.

Address: No.1 Sitai Industrial Park, YongFeng Avenue, Hanyang District, Wuhan City, China.

Tel: 86-27-84452919 / 84458099 Fax: 86-27-84453116 Post Code: 430051