

GERNERAL SPECIFICATIONS

Step Angle(Accuracy)----- 1.8°(±5%)
 Resistance Accuracy ----- ±10%
 Inductance Accuracy ----- ±20%
 Temperature Rise ----- 80°C Max.
 Ambient Temperature ----- -10°C~50°C
 Insulation Resistance ----- 100Mohm Min, 50VDC
 Dielectric Strength ----- 500VAC for one minute
 Shaft Radial Play ----- 0.06Max. (450 g-load)
 Shaft Axial Play ----- 0.08Max.(450 g-load)

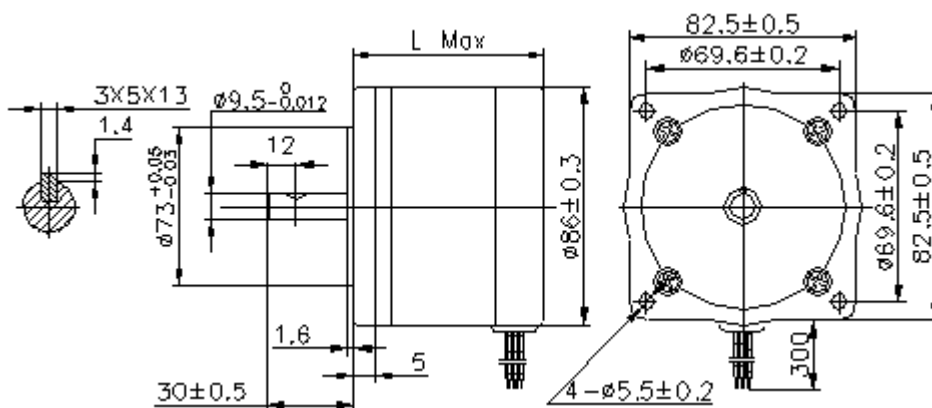
Picture



Electrical Specification

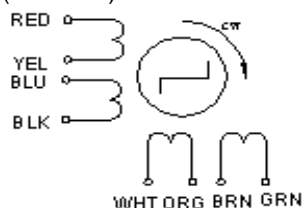
Series Model	Step Angle (°)	L (mm)	Rated Current (A)	Phase Resistance (Ω)	Phase Inductance (mH)	Holding Torque (N.cm)	Detent Torque (N.cm)	Lead Wire (NO.)	Motor Weight (kg)
H863-18040	1.8	63	4.0	0.68	2.0	180	4.5	8	1.6
H863-18050	1.8	63	5.0	0.45	1.5	180	4.5	8	1.6
H863-18027	1.8	63	2.7	1.2	4.5	180	4.5	8	1.6
H863-18021	1.8	63	2.1	1.9	7.2	180	4.5	8	1.6
H863-32040	1.8	92	4.0	0.89	3.8	320	6.5	8	2.6
H863-32050	1.8	92	5.0	0.58	2.8	320	6.5	8	2.6
H863-32027	1.8	92	2.7	1.7	9.0	320	6.5	8	2.6
H863-32021	1.8	92	2.1	2.7	15	320	6.5	8	2.6
H863-45040	1.8	122	4.0	1.1	5.6	450	10.5	8	3.8
H863-45050	1.8	122	5.0	0.82	3.6	450	10.5	8	3.8
H863-45027	1.8	122	2.7	2.5	12.5	450	10.5	8	3.8

Mechanical Dimensions



Standard Leadwire Configuration

UNI/BI-POLAR(8 LEADS)



Complementary Products:

- Special shaft
- Encoders
- Connector
- Long leadwires