

SimpoleD

SimpoleD-LUN-8150 for Luminus Modular Passive LED Cooler Φ 81mm

Features VS Benefits

- * The SimpoleD-LUN-8150 Luminus Modular Passive LED Coolers are specifically designed for luminaires using the Luminus LED engines.
- * Mechanical compatibility with direct mounting of the LED engines to the LED cooler and thermal performance matching the lumen packages.
- * For spotlight and downlight designs from 900 to 3700 lumen.
- * Thermal resistance range Rth 1.9°C/W
- * Modular design with mounting holes foreseen for direct mounting of Luminus COB LED engines.
- * Diameter 81mm - standard height 50mm Other heights on request.
- * Extruded from highly conductive aluminum.



Luminus LED engine and radiator assembly directly Mounting Options

- * Below you find an overview of Luminus COB's and LED modules which standard fit on the SimpoLED coolers.
- * In this way mechanical after work and related costs can be avoided, and lighting designers can standardize their designs on a limited number of LED coolers.



Luminus LED engines Mounting Options

CHM-9 COB Arrays LED Modules names:

- CHM-9-27-XX-36-AC00-XX-X;
- CHM-9-30-XX-36-AC00-XX-X;
- CHM-9-35-XX-36-AC00-XX-X;
- CHM-9-40-XX-36-AC00-XX-X;
- CHM-9-50-XX-36-AC00-XX-X;
- CHM-9-65-XX-36-AC00-XX-X;

With Zhaga Book 11 for green indicator marks:

- BJB Holder:47.319.6060.50;
- AAG.STUCCHI holder:8100-G2;
- Mounting with machine screws M3x6mm;
- Without LED holders for pink indicator marks.
- Direct mounting with machine screws M3x6mm;

CXM-14 COB Arrays LED Modules names:

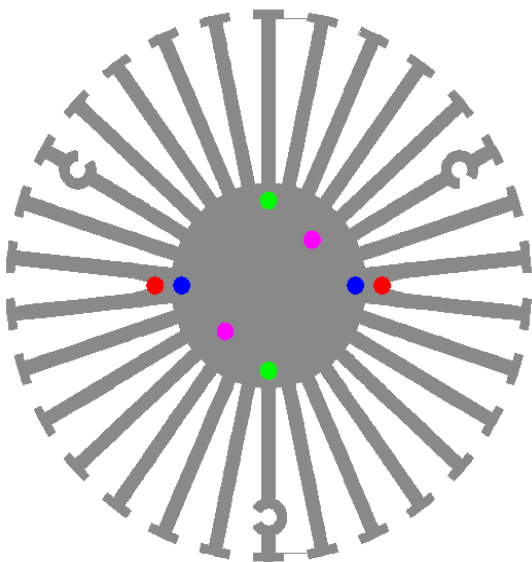
- CXM-14-27-XX-36-AC00-XX-X;
- CXM-14-30-XX-36-AC00-XX-X;
- CXM-14-35-XX-36-AC00-XX-X;
- CXM-14-40-XX-36-AC00-XX-X;
- CXM-14-50-XX-36-AC00-XX-X;
- CXM-14-65-XX-36-AC00-XX-X;

CHM-14 COB Arrays LED Modules names:

- CHM-14-27-XX-36-AC00-XX-X;
- CHM-14-30-XX-36-AC00-XX-X;
- CHM-14-35-XX-36-AC00-XX-X;
- CHM-14-40-XX-36-AC00-XX-X;
- CHM-14-50-XX-36-AC00-XX-X;
- CHM-14-65-XX-36-AC00-XX-X;

With Zhaga Book 3 for red indicator marks:

- BJB Holder:47.319.2021.50;
- AAG.STUCCHI holder:8101-G2;
- Mounting with machine screws M3x6mm;
- Without LED holders for blue indicator marks.
- Direct mounting with machine screws M3x6mm;



SimpoLED

SimpoLED-LUN-8150 for Luminus Modular Passive LED Cooler Φ 81mm

Mounting Options and Drawings & Dimensions

Example: SimpoLED-LUN-8150-B-3

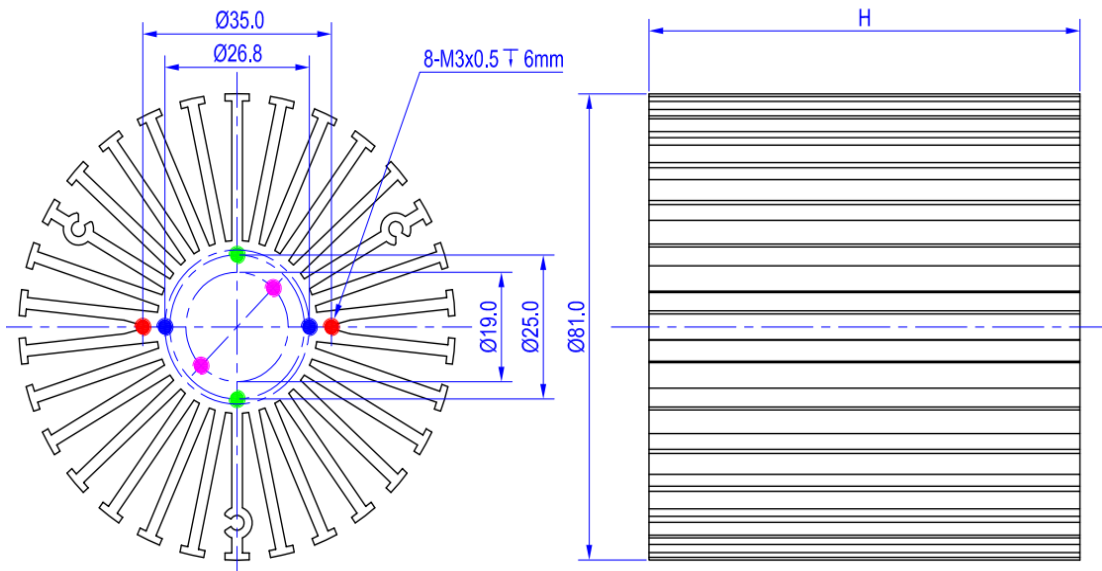
Example: SimpoLED-LUN-81 **1** - **2** - **3**

- 1** Height (mm)
- 2** Anodising Color
B-Black
C-Clear
Z-Custom
- 3** Mounting Options - see graphics for details Combinations available
Ex.order code - 12
means option 1 and 2 combined



Notes:
 - Mentioned models are an extraction of full product range.
 - For specific mechanical adaptations please contact MingfaTech.
 - MingfaTech reserves the right to change products or specifications without prior notice.

MOUNTING OPTION	Module type	Holder NO.	THREAD	THREAD DEPTH	THREAD HOLE DISTANCE
1		/	M3	6mm	19.0mm/ 2-@180°
2	CLM-9 CXM-9 CHM-9	AAG.STUCCHI 8100-G2	M3	6mm	25.0mm/ 2-@180°
		BJB 47.313.6060.50			
3		/	M3	6mm	26.8mm/ 2-@180°
4	CXM-14 CHM-14	AAG.STUCCHI 8101-G2	M3	6mm	35.0mm/ 2-@180°
		BJB 47.313.2021.50			



SimpLED

SimpLED-LUN-8150 for Luminus Modular Passive LED Cooler Φ 81mm

The thermal data table

	 <i>SimpLED-8150</i>
Model No.	SimpLED-LUN-8150
Size	Φ81xH50mm
Material	AL6063-T5
Finish	Black Anodized
Weight(gr)	318.0
Thermal Wattage	26.5W
HeatsinkOs-a²	94517
Heat Sink T Rise Above Ambient	1.9

Dissipated Power Pd(W)	Pd = Pe x (1- η L)	Heat sink to ambient thermal resistance Rhs-amb (°C/W)	Heat sink to ambient temperature rise Ths-amb (°C)
		SimpLED-LUN-8150	SimpLED-LUN-8150
6.0		2.60	15.6
12.0		2.18	26.2
18.0		2.00	36.0
24.0		1.95	46.8
30.0		1.72	51.6

