

SimpLED

SimpLED-LUME-13550 for Lumens Modular Passive LED Cooler Φ 135mm

Features VS Benefits

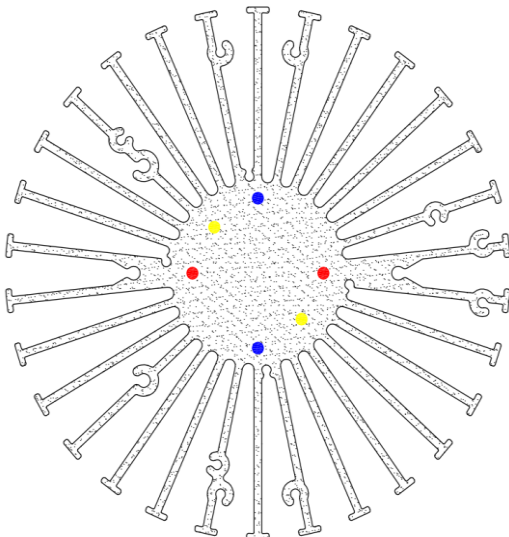
- * The SimpLED-LUME-13550 Lumens Modular Passive LED Coolers are specifically designed for luminaires using the Lumens LED engines.
- * Mechanical compatibility with direct mounting of the LED engines to the LED cooler and thermal performance matching the lumen packages.
- * For spotlight and downlight designs from 2100 to 7000 lumen.
- * Thermal resistance range Rth 0.65°C/W.
- * Modular design with mounting holes foreseen for direct mounting of Lumens ERC2530, ERC2540, ERC3050 and ERC3070 LED engines.
- * Diameter 135mm - standard height 50mm Other heights on request.
- * Extruded from highly conductive aluminum.



Lumens LED engine and radiator assembly directly Mounting Options

- * Below you find an overview of Lumens COB's and LED modules which standard fit on the SimpLED coolers.
- * In this way mechanical after work and related costs can be avoided, and lighting designers can standardize their designs on a limited number of LED coolers.

LUMENS



Lumens LED engines for which Zhaga LED Modules holders are available.

For the ERC2530/2540 LED engines.

- | | |
|----------------|----------------|
| ERC2530S8xxHE; | ERC2540S8xxHE; |
| ERC2530S9xxHE; | ERC2540S9xxHE; |

Mounting with machine screws M3x6mm;

NO.1:With Zhaga Book 3 LED holder for red indicator marks.

(Ideal Holder:50-2102CR);

(BJB Holder:47.319.2141.50);

(AAG.STUCCHI holder:8401-G2);

NO.2:Without the LED holder for yellow indicator marks.

For the ERC3050 LED engines.

- ERC3050S8xxHE;
- ERC3050S9xxHE;

For the ERC3070 LED engines.

- ERC3070S8xxHE;
- ERC3070S9xxHE;

Mounting with machine screws M3x6mm;

NO.1:With Zhaga Book 3 LED holder for red indicator marks.

(Ideal Holder:50-2234C);

(BJB holder:47.319.2151.50);

NO.2:Without the LED holder for blue indicator marks.

Please refer to the www.lumensleds.com data provided on the manual.

SimpLED

SimpLED-LUME-13550 for Lumens Modular Passive LED Cooler Φ 135mm

Mounting Options and Drawings & Dimensions

Example: SimpLED-LUME-13550-B-3

Example: SimpLED-LUME-135 **1** - **2** - **3**

1 Height (mm)

2 Anodising Color

B-Black

C-Clear

Z-Custom

3 Mounting Options - see graphics for details Combinations available

Ex.order code - 12

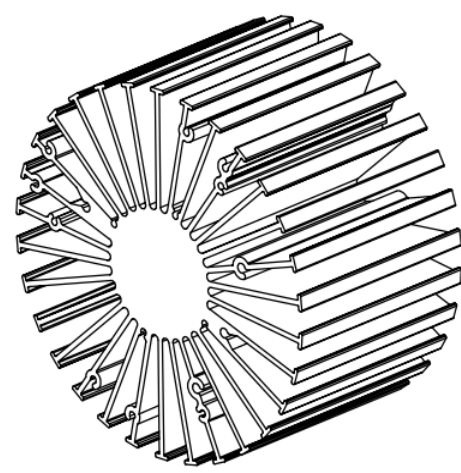
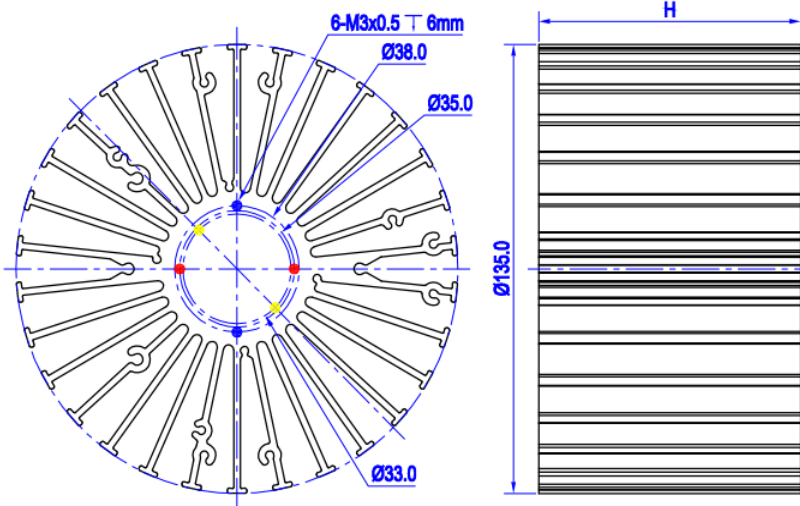
means option 1 and 2 combined

Notes:

- Mentioned models are an extraction of full product range.
- For specific mechanical adaptations please contact MingfaTech.
- MingfaTech reserves the right to change products or specifications without prior notice.

MOUNTING OPTION	Module type	Holder NO.	THREAD	THREAD DEPTH	THREAD HOLE DISTANCE
1	ERC2530 ERC2540	/	M3	6mm	33.0mm/ 2-@150°
2	ERC2530 ERC2540	Ideal 50-2102CR	M3	6mm	35.0mm/ 2-@150°
		BJB 47.313.2141.50			
ERC3050 ERC3070	AAG. 8401-G2				
	Ideal 50-2234C				
3	ERC3050 ERC3070	BJB 47.313.2131.50	M3	6mm	38.0mm/ 2-@150°
		/			

LUMENS



SimpLED

SimpLED-LUME-13550 for Lumens Modular Passive LED Cooler Φ 135mm

The thermal data table

	 <i>SimpLED-13550</i>
Model No.	SimpLED-LUME-13550
Size	D135xH50mm
Material	AL6063-T5
Finish	Black Anodized
Weight(g)	638.0
Thermal Wattage	60.3W
HeatsinkΘs-a²	155618
Heat Sink T_{Rise Above Ambient}	0.65

Dissipated Power Pd(W)	Pd = Pe x (1- η L)	Heat sink to ambient thermal resistance Rhs-amb (°C/W)	Heat sink to ambient temperature rise Ths-amb (°C)
		SimpLED-LUME-13550	SimpLED-LUME-13550
15.0		1.00	15.0
30.0		0.87	26.0
45.0		0.79	35.7
60.0		0.74	44.8
75.0		0.71	53.4
90.0		0.68	61.6

