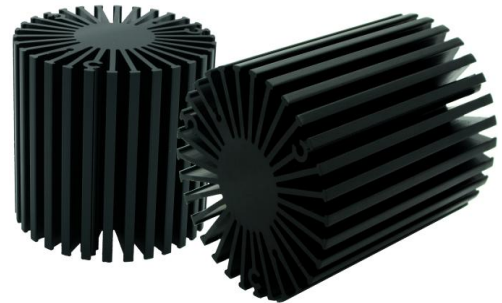


SimpoleD

SimpoleD-LUM-5870 for LumiLEDs Modular Passive LED Cooler Φ 58mm

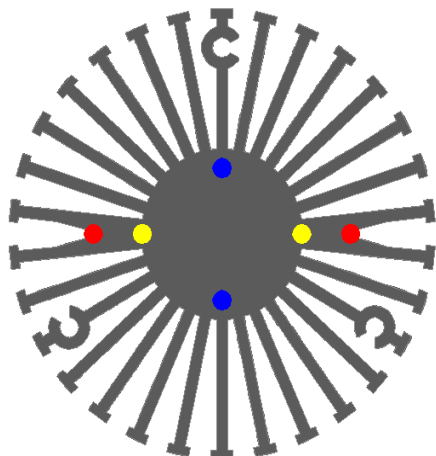
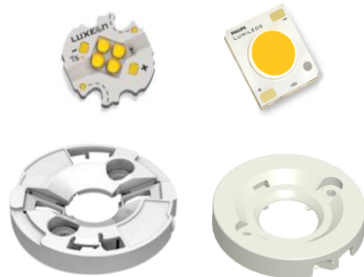
Features VS Benefits

- * The SimpoleD-LUM-5870 LumiLEDs Modular Passive LED Coolers are specifically designed for luminaires using the LumiLEDs LED engines.
- * Mechanical compatibility with direct mounting of the LED engines to the LED cooler and thermal performance matching the lumen packages.
- * For spotlight and downlight designs from 900 to 1800 lumen.
- * Thermal resistance range Rth 2.9°C/W.
- * Modular design with mounting holes foreseen for direct mounting of LUMILEDS Luxeon K and LuxeonCOB engines.
- * Diameter 58mm - standard height 70mm Other heights on request.
- * Extruded from highly conductive aluminum.



Zhaga LED engine and radiator assembly is a unified future international standardization

- * Below you find an overview of LumiLEDs engines COB's and LED modules which standard fit on the SimpoleD coolers.
- * In this way mechanical after work and related costs can be avoided, and lighting designers can standardize their designs on a limited number of LED coolers.



LUMILEDS LED Modules Mounting Options

LumiLEDs LuxeonCOB LED engines.

- LHC1-xxxx-1202;
- LHC1-xxxx-1203;

Zhaga Book3 Red indicator marks;
TE Zhaga holder:Z50 2213382-2;
Mounting with machine screws M3x8mm;

LumiLEDs Luxeon K 3-UP/4-UP LED engines.

- LXK8-PWxx-0403;
- LXK8-PWxx-0004;
- LXK9-PWxx-0004;

Direct mounting with machine screws M3x6mm;
Blue indicator marks.

LumiLEDs Luxeon K 6-UP/8-UP LED engines.

- LXK8-PWxx-0206;
- LXK8-PWxx-0008;

Direct mounting with machine screws M3x6mm;
Yellow indicator marks.

SimpoLED

SimpoLED-LUM-5870 for LumiLEDs Modular Passive LED Cooler Φ 58mm

Mounting Options and Drawings & Dimensions

Example: SimpoLED-LUM-5850-B-3

Example: SimpoLED-LUM-58 **1** - **2** - **3**

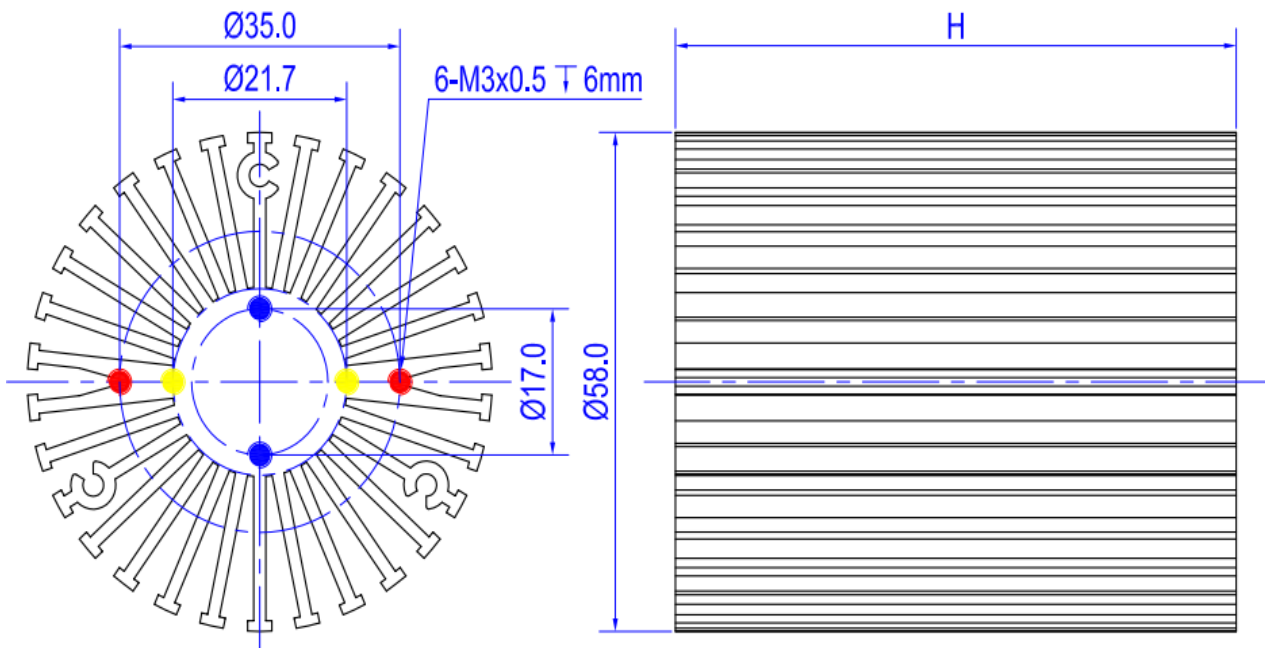
- 1** Height (mm)
- 2** Anodising Color
B-Black
C-Clear
Z-Custom
- 3** Mounting Options - see graLUMcs for details Combinations available
Ex.order code - 12
means option 1 and 2 combined

Notes:

- Mentioned models are an extraction of full product range.
- For specific mechanical adaptations please contact MingfaTech.
- MingfaTech reserves the right to change products or specifications without prior notice.



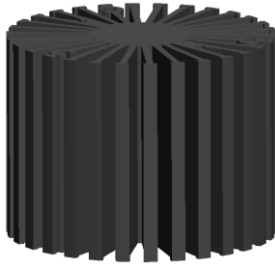
MOUNTING OPTION	Module type	Holder NO.	THREAD	THREAD DEPTH	THREAD HOLE DISTANCE
1	Luxeon K 3-UP Luxeon K 4-UP	/	M3	6mm	17.0mm/ @180°
2	Luxeon K 6-UP Luxeon K 8-UP	/	M3	6mm	21.7mm/ @180°
3	LuxeonCOB1202 LuxeonCOB1203	Type (Z50 2213382-2)	M3	8mm	35.0mm/ @180°



SimpoleD

SimpoleD-LUM-5870 for LumiLEDs Modular Passive LED Cooler Φ 58mm

The thermal data table

	 <i>SimpoleD-5870</i>
Model No.	SimpoleD-LUM-5870
Size	Φ58xH70mm
Material	AL6063-T5
Finish	Black Anodized
Weight(gr)	244.0
Thermal Wattage	15.5W
HeatsinkΘs-a²	90020
Heat Sink T_{Rise} Above Ambient	2.9

Dissipated Power Pd(W)	Pd = Pe x (1- η L)	Heat sink to ambient thermal resistance Rhs-amb (°C/W)	Heat sink to ambient temperature rise Ths-amb (°C)
		SimpoleD-LUM-5870	SimpoleD-LUM-5870
4.0		4.00	16.0
8.0		3.50	28.0
12.0		3.12	37.5
16.0		2.90	46.5
20.0		2.76	55.3

