



for

LED

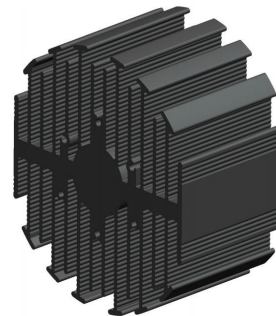


eLED

eLED-SHA-9550 Sharp Modular Passive Star LED Heat Sink  $\Phi$ 95mm

### Features VS Benefits

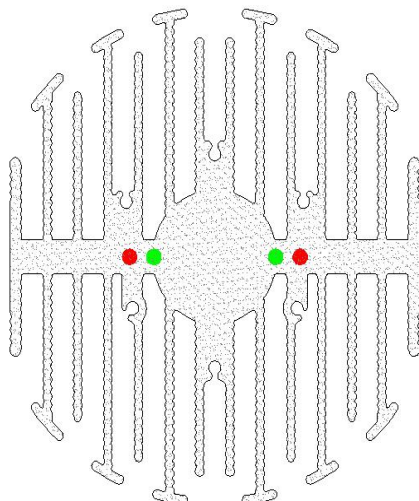
- \* The eLED-SHA-9550 SHARP Modular Passive LED Coolers are specifically designed for luminaires using the SHARP LED engines.
- \* Mechanical compatibility with direct mounting of the LED engines to the LED cooler and thermal performance matching the lumen packages.
- \* For spotlight and downlight designs from 1800 to 4500 lumen.
- \* Thermal resistance range  $R_{th}$  1.35°C/W.
- \* Modular design with mounting holes foreseen for direct mounting of SHARP Tiger Zenigata and Mega Zenigata LED engines.
- \* Diameter 95mm - standard height 50mm Other heights on request.
- \* Extruded from highly conductive aluminum.



### Zhaga LED engine and radiator assembly is a unified future international standardization

- \* Below you find an overview of SHARP engines COB's and LED modular which standard fit on the eLED coolers.
- \* In this way mechanical after work and related costs can be avoided, and lighting designers can standardize their designs on a limited number of LED coolers.

SHARP



### Sharp LED Modules Mounting indicator marks overview

#### Mega Zenigata modules name:

|              |              |
|--------------|--------------|
| GW6TGCBG40C; | GW6DMA27XFC; |
| GW6DGA27XFC; | GW6DMA30XFC; |
| GW6DGA30XFC; | GW6DMA35XFC; |
| GW6DGA40XFC; | GW6DMA40XFC; |
| GW6DGA50XFC; | GW6DMA50XFC; |
| GW6DGC27XFC; | GW6DMC27XFC; |
| GW6DGC30XFC; | GW6DMC30XFC; |
| GW6DGC40XFC; | GW6DMC40XFC; |
| GW6DGC50XFC; | GW6DMC50XFC; |
| GW6DGD27XFC; | GW6DMD27XFC; |
| GW6DGD30XFC; | GW6DMD30XFC; |
| GW6DGD40XFC; | GW6DMD40XFC; |
| GW6DGD50XFC; | GW6DMD50XFC; |
| GW6DGE27XFC; | GW6DME27XFC; |
| GW6DGE30XFC; | GW6DME30XFC; |
| GW6DGE40XFC; | GW6DME40XFC; |
| GW6DGE50XFC; | GW6DME50XFC; |

#### Zhaga Book3 Holders:

BJB Spotlight connector:47.319.2011.50;

TE Connectivity:2213130-2

Direct mounting with machine screws M3x6mm;

Red indicator marks

Tel:+86-769-39023131

E-fax:+86-(020)28819702 ext:22122

Email:sales@mingfatech.com

Http://www.heatsinkled.com

Http://www.mingfatech.com





for

LED



eLED

eLED-SHA-9550 Sharp Modular Passive Star LED Heat Sink  $\Phi$ 95mm

Mounting Options and Drawings & Dimensions

Example:eLED-SHA-9550-B-1

Example:eLED-SHA-9550-1-2-3

1 Height (mm)

2 Anodising Color  
 B-Black  
 C-Clear  
 Z-Custom

3 Mounting Options - see graphics for details Combinations available  
 Ex.order code - 12  
 means option 1 and 2 combined

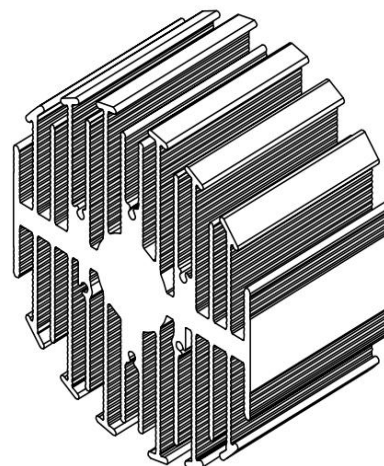
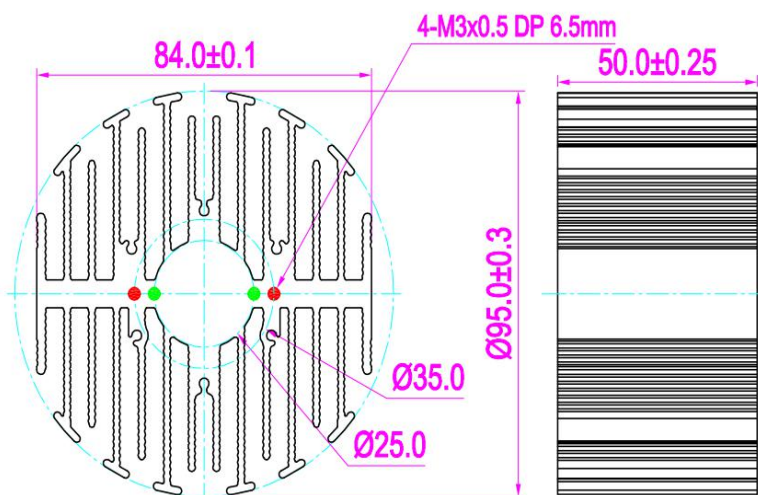
Notes:

- Mentioned models are an extraction of full product range.
- For specific mechanical adaptations please contact MingfaTech.
- MingfaTech reserves the right to change products or specifications without prior notice.

SHARP



| MOUNTING OPTION | Module type                        | Holder NO.         | THREAD | THREAD DEPTH | THREAD HOLE DISTANCE          |
|-----------------|------------------------------------|--------------------|--------|--------------|-------------------------------|
| 2               | Mini ZENIGATA                      | BJB:47.319.6180.50 | M3     | 6.5mm        | 25.0mm/ @180°<br>Zhaga Book11 |
| 1               | Mega ZENIGATA<br>Tiger Zenigataand | BJB:47.319.2011.50 | M3     | 6.5mm        | 35.0mm/ @180°<br>Zhaga Book3  |
|                 |                                    | Type :2213130-2    |        |              |                               |
|                 |                                    |                    |        |              |                               |



Tel:+86-769-39023131  
 E-fax:+86-(020)28819702 ext:22122  
 Email:sales@mingfatech.com  
 Http://www.heatsinkled.com  
 Http://www.mingfatech.com



The thermal data table

|   |  |
|---|--|
|   | <br><i>eLED-9550</i> |
| <b>Model No.</b>                                  | <b>eLED-SHA-9550</b>   |
| <b>Size</b>                                       | <b><math>\Phi</math>95xH50mm</b>   |
| <b>Material</b>                                   | <b>AL6063-T5</b>   |
| <b>Finish</b>                                     | <b>Black Anodized</b>  |
| <b>Weight(gr)</b>                                 | <b>353</b>   |
| <b>Thermal Wattage</b>                            | <b>40.5W</b>   |
| <b>Heatsink<math>\Theta</math>s-a<sup>2</sup></b> | <b>108320</b>  |
| <b>Heat Sink T Rise Above Ambient</b>             | <b>1.25</b>  |

| Dissipated Power Pd(W) | Pd = Pe x (1- $\eta$ L) | Heat sink to ambient thermal resistance Rhs-amb ( $^{\circ}$ C/W) | Heat sink to ambient temperature rise T <sub>hs-amb</sub> ( $^{\circ}$ C) |
|------------------------|-------------------------|---|---|
|                        |                         | eLED-SHA-9550   |   |
| 10                     |                         | 1.80  | 18  |
| 20                     |                         | 1.40  | 28  |
| 30                     |                         | 0.97  | 29  |
| 40                     |                         | 1.25  | 50  |
| 50                     |                         | 1.18  | 59  |

