



for

LED

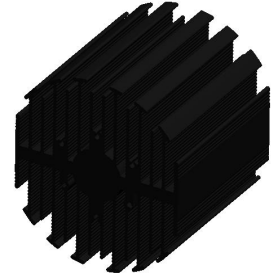


eLED

eLED-LUN-9580 Luminus Modular Passive Star LED Heat Sink  $\phi$ 95mm

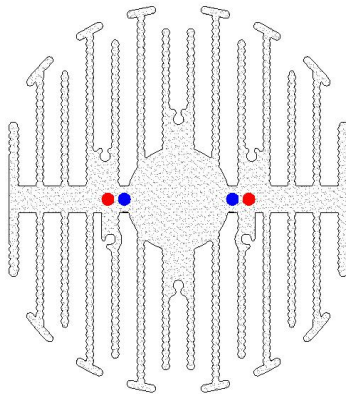
### Features VS Benefits

- \* The eLED-LUN-9580 Luminus Modular Passive LED Srat Heat Sinks are specifically designed for luminaires using the Luminus LED engines.
- \* Mechanical compatibility with direct mounting of the LED engines to the LED cooler and thermal performance matching the lumen packages.
- \* For spotlight and downlight designs from 2100 to 5500 lumen.
- \* Thermal resistance range Rth 1.1°C/W.
- \* Modular design with mounting holes foreseen for direct mounting of Luminus COB LED engines.
- \* Diameter 95mm - standard height 80mm Other heights on request.
- \* Extruded from highly conductive aluminum.



### Zhaga LED engine and radiator assembly is a unified future international standardization

- \* Below you find an overview of Luminus COB's and LED modules which standard fit on the Star LED Heat Sinks.
- \* In this way mechanical after work and related costs can be avoided, and lighting designers can standardize their designs on a limited number of Star LED Heat Sinks.



### Luminus LED engines Mounting Options

#### CXM-14 COB Arrays LED Modules names:

- CXM-14-27-XX-36-AC00-XX-X;
- CXM-14-30-XX-36-AC00-XX-X;
- CXM-14-35-XX-36-AC00-XX-X;
- CXM-14-40-XX-36-AC00-XX-X;
- CXM-14-50-XX-36-AC00-XX-X;
- CXM-14-65-XX-36-AC00-XX-X;

#### CHM-14 COB Arrays LED Modules names:

- CHM-14-27-XX-36-AC00-XX-X;
- CHM-14-30-XX-36-AC00-XX-X;
- CHM-14-35-XX-36-AC00-XX-X;
- CHM-14-40-XX-36-AC00-XX-X;
- CHM-14-50-XX-36-AC00-XX-X;
- CHM-14-65-XX-36-AC00-XX-X;

With Zhaga Book 3 for red indicator marks:

BJB Holder:47.319.2021.50;

AAG.STUCCHI holder:8101-G2;

Mounting with machine screws M3x8mm;

Without LED holders for blue indicator marks.

Direct mounting with machine screws M3x8mm;

#### CXM-22 COB Arrays LED Modules names:

- CXM-22-27-XX-36-AC00-XX-X;
- CXM-22-30-XX-36-AC00-XX-X;
- CXM-22-35-XX-36-AC00-XX-X;
- CXM-22-40-XX-36-AC00-XX-X;
- CXM-22-50-XX-36-AC00-XX-X;
- CXM-22-65-XX-36-AC00-XX-X;

With Zhaga Book 3 for red indicator marks:

BJB Holder:47.319.2030.50;

AAG.STUCCHI holder:8102-G2;

Direct mounting with machine screws M3x8mm;

Tel: +86-769-39023131

E-fax: +86-(020)28819702 ext:22122

Email:sales@mingfatech.com

Http://www.heatsinkled.com

Http://www.mingfatech.com





for

LED



eLED

eLED-LUN-9580 Luminus Modular Passive Star LED Heat Sink  $\phi 95\text{mm}$

Mounting Options and Drawings & Dimensions

Example: eLED-LUN-9580-B-1

Example: eLED-LUN-9580-1-2-3

- 1** Height (mm)
- 2** Anodising Color  
B-Black  
C-Clear  
Z-Custom

- 3** Mounting options;  
On request;  
Mounting holes, cable holes;  
Screw thread, thermal interface pad.

Notes:

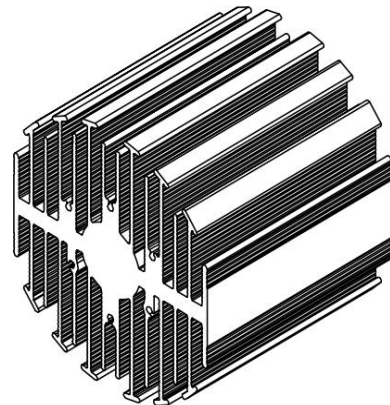
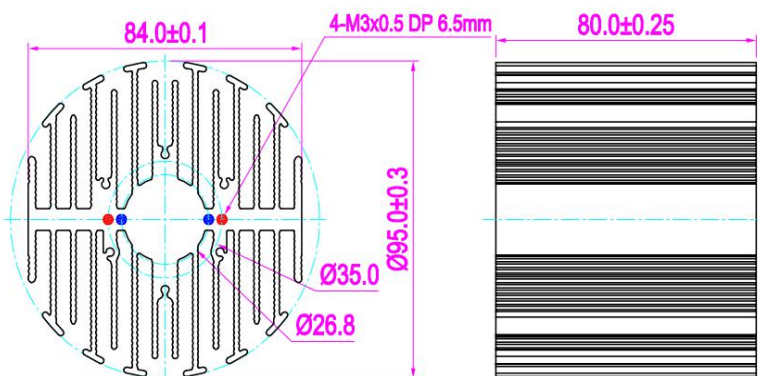
- Mentioned models are an extraction of full product range.
- For specific mechanical adaptations please contact MingfaTech.

MingfaTech reserves the right to change products or specifications without prior notice.

Note : option 1 and option 2 can not be combined



MOUNTING OPTION	Module type	Holder NO.	THREAD	THREAD DEPTH	THREAD HOLE DISTANCE
1	CXM-14 CHM-14	/	M3	6.5mm	26.8mm/ 2-@180°
2	CXM-14 CHM-14	AAG.STUCCHI 8101-G2	M3	6.5mm	35.0mm/ 2-@180°
		BJB 47.313.2021.50			
	CXM-22	AAG.STUCCHI 8102-G2			
		BJB 47.313.2030.50			



eLED

eLED-LUN-9580 Luminus Modular Passive Star LED Heat Sink  $\Phi$ 95mm

The thermal data table

	 <i>eLED-9580</i>
<b>Model No.</b>	eLED-LUN-9580
<b>Size</b>	$\Phi$ 95xH80mm
<b>Material</b>	AL6063-T5
<b>Finish</b>	Black Anodized
<b>Weight(gr)</b>	564
<b>Thermal Wattage</b>	49.2W
<b>HeatsinkOs-a<sup>2</sup></b>	170178
<b>Heat Sink T Rise Above Ambient</b>	1.1

Dissipated Power Pd(W)	Pd = Pe x (1- $\eta$ L)	Heat sink to ambient thermal resistance Rhs-amb ( $^{\circ}$ C/W)	Heat sink to ambient temperature rise Ths-amb ( $^{\circ}$ C)
		eLED-LUN-9580	
10		1.6	16
20		1.3	26
30		1.2	35
40		1.1	44
50		1.0	52

