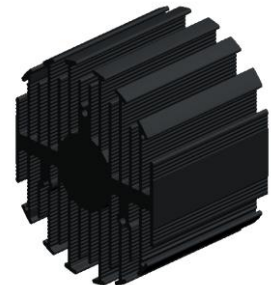


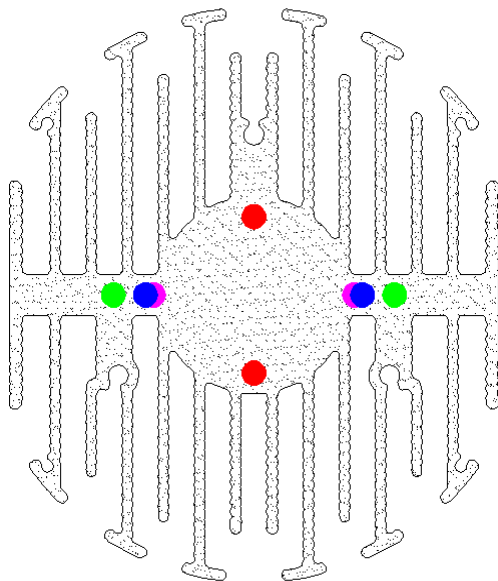
Features VS Benefits

- * The eLED-PRO-7050 Prolight Modular Passive LED Coolers are specifically designed for luminaires using the Prolight LED engines.
- * Mechanical compatibility with direct mounting of the LED engines to the LED cooler and thermal performance matching the lumen packages.
- * For spotlight and downlight designs from 1000 to 2600 lumen.
- * Thermal resistance range R_{th} 2.18°C/W.
- * Modular design with mounting holes foreseen for direct mounting of Prolight CI Series, CII SERIRS, BI SERIRS, BS SERIRS and N SERIRS engines.
- * Diameter 70mm - standard height 50mm Other heights on request.
- * Extruded from highly conductive aluminum.



Prolight LED engine and radiator assembly directly Mounting Options

- * Below you find an overview of Prolight COB's and LED modules which standard fit on the eLED Star LED Heat Sinks.
- * In this way mechanical after work and related costs can be avoided, and lighting designers can standardize their designs on a limited number of LED coolers.



Prolight LED Spotlight COB engines Mounting Options

COB CI Series Modules names:

- PACB-5xxx-xxxx ;
- PACB-7xxx-xxxx ;
- PACB-9xxx-xxxx ;

Pink indicator marks: Zhaga Book 11 BJB Holder:47.319.6060.50;
 Green indicator marks: Zhaga Book3 BJB Holder:47.319.2040.50
 Mounting with machine screws M3x8mm ;
 Red indicator marks ;
 Direct mounting machine screws M3x6mm ;

COB BI SERIRS Module names:

- PABA-10xxx-xxxx ;
- PABA-15xxx-xxxx ;
- PABA-22xxx-xxxx ;
- PABA-26xxx-xxxx ;

Green indicator marks: Zhaga Book3 BJB Holder:47.319.2040.50;
 Mounting with machine screws M3x8mm;
 Blue indicator marks:
 Direct mounting with machine screws M3x6mm;

COB BS SERIRS Modlue names:

- PABS-6xxx-xxxx ;
- PABS-9xxx-xxxx ;

Red indicator marks:
 Direct mounting with machine screws M3x6mm;

COB N SERIRS Module names:

- PANA-10xxx-xxxx ;
- PANA-12xxx-xxxx ;
- PANA-17xxx-xxxx ;
- PANA-24xxx-xxxx ;

Blue indicator marks:
 Direct mounting with machine screws M3x6mm;

COB CII SERIRS Modules names:

- PACC-18xxx-xxxx ;

Blue indicator marks:
 Direct mounting with machine screws M3x6mm;

eLED

eLED-PRO-7050 Prolight Modular Passive Star LED Heat Sink $\Phi 70\text{mm}$

Mounting Options and Drawings & Dimensions

Example:eLED-PRO-7050-B-3

Example:eLED-PRO-70 **1** - **2** - **3**

- 1** Height (mm)
- 2** Anodising Color
B-Black
C-Clear
Z-Custom
- 3** Mounting options;
On request;
Mounting holes, cable holes;
Screw thread, thermal interface pad.

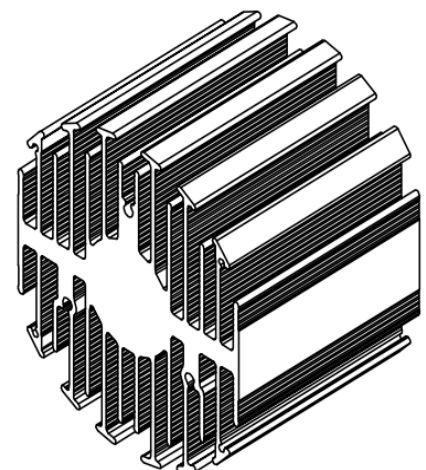
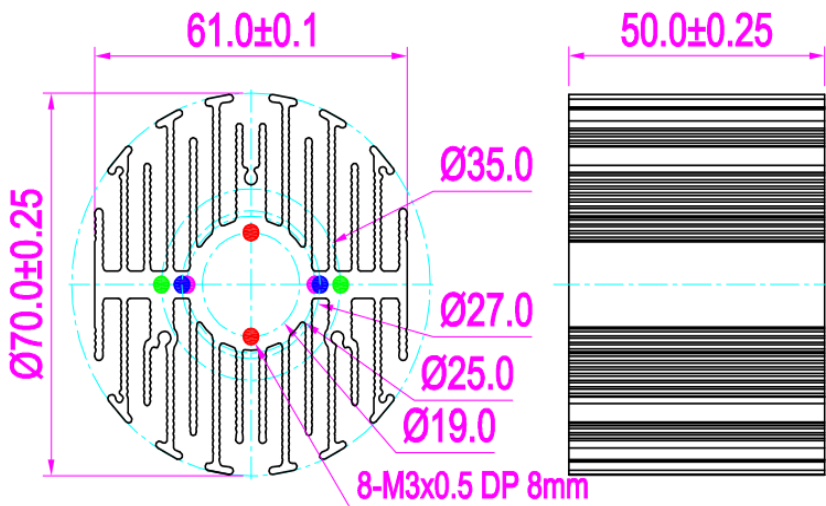


Notes:

- Mentioned models are an extraction of full product range.
- For specific mechanical adaptations please contact MingfaTech.
- MingfaTech reserves the right to change products or specifications without prior notice.

Note : option 2 and option 3 can not be combined

MOUNTING OPTION	Module type	Holder NO.	THREAD	THREAD DEPTH	THREAD HOLE DISTANCE
1	COB CI Series COB BS SERIRS	/	M3	6.5mm	19mm/ 2-@180°
2	COB CI Series	BJB:47.319.6060.50	M3	6.5mm	25mm/ 2-@180° Zhaga Book 11
3	COB N SERIRS COB BI SERIRS COB CII SERIRS	/	M3	6.5mm	27mm/ 2-@180°
4	COB CI Series COB BI SERIRS	BJB:47.319.2040.50	M3	6.5mm	35mm/ 2-@180° Zhaga Book3



eLED

eLED-PRO-7050 Prolight Modular Passive Star LED Heat Sink Φ 70mm

The thermal data table

	 <i>eLED-7050</i>
Model No.	eLED-PRO-7050
Size	Φ70xH50mm
Material	AL6063-T5
Finish	Black Anodized
Weight(gr)	206
Thermal Wattage	22.9W
HeatsinkOs-a²	73369
Heat Sink T Rise Above Ambient	2.18

Dissipated Power Pd(W)	Pd = Pe x (1-ηL)	Heat sink to ambient thermal resistance Rhs-amb (°C/W)	Heat sink to ambient temperature rise Ths-amb (°C)
		eLED-PRO-7050	
5		3.40	17
10		2.80	28
15		2.70	37
20		2.25	45
25		2.16	54

