



for

LED

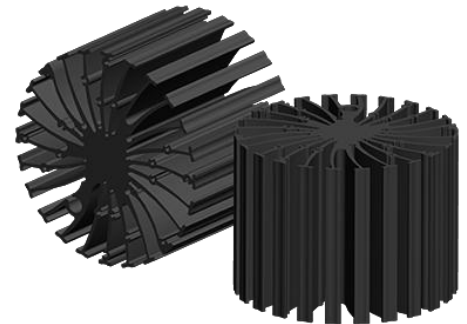


EtraLED

EtraLED-VOS-11050 Vossloh-Schwabe Modular Passive Star LED Heat Sink Φ 110mm

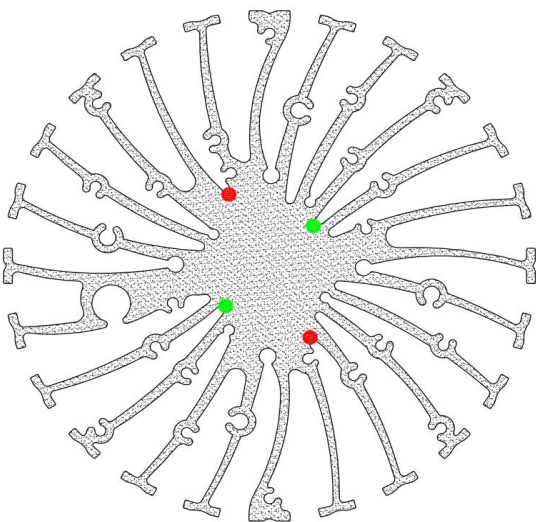
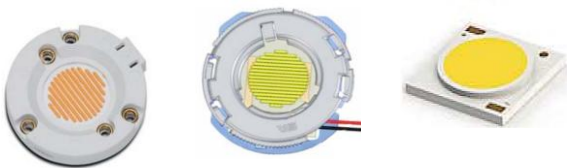
Features VS Benefits

- * The EtraLED-VOS-11050 Vossloh-Schwabe Modular Passive Star LED Heat Sinks are specifically designed for luminaires using the Vossloh-Schwabe LED engines.
- * Mechanical compatibility with direct mounting of the LED engines to the LED cooler and thermal performance matching the lumen packages.
- * For spotlight and downlight designs from 2500 to 5800 lumen.
- * Thermal resistance range R_{th} 1.1°C/W.
- * Modular design with mounting holes foreseen for direct mounting of Vossloh-Schwabe LUGA Shop and LUGA C LED engines.
- * Diameter 110mm - standard height 50mm Other heights on request.
- * Extruded from highly conductive aluminum.



Zhaga LED engine and radiator assembly is a unified future international standardization

- * Below you find an overview of Vossloh-Schwabe COB's and LED modules which standard fit on the EtraLED Star LED Heat Sinks.
- * In this way mechanical after work and related costs can be avoided, and lighting designers can standardize their designs on a limited number of Star LED Heat Sinks.



Vossloh-Schwabe LED engines for which Zhaga Book3 LED Modules holders are available.

For the LUGA Shop 2014 Module.

- WU-M-485-827;
- WU-M-485-830;
- WU-M-485-835;
- WU-M-485-840;
- WU-M-486-827;
- WU-M-486-830;
- WU-M-486-835;
- WU-M-486-840;

For the LUGA Shop 2014 PW Module.

- WU-M-485-831-PW;
- WU-M-486-831-PW;

For the LUGA Shop 2014 HiCRI LED Module.

- WU-M-485-927;
- WU-M-485-930;
- WU-M-485-935;
- WU-M-485-940;
- WU-M-486-927;
- WU-M-486-930;
- WU-M-486-935;
- WU-M-486-940;

For the LUGA Shop 2014 PW Module.

- WU-M-485-931-PW;
- WU-M-486-931-PW;

For the LUGA Shop 2014 FOOD LED engines and the holder.

- WU-M-486-Ga30;
- WU-M-486-Ga40;
- WU-M-486-Meat;
- WU-M-486-SMeat;

Zhaga Book3 Red indicator marks:

Direct mounting with machine screws M3x8mm;



for

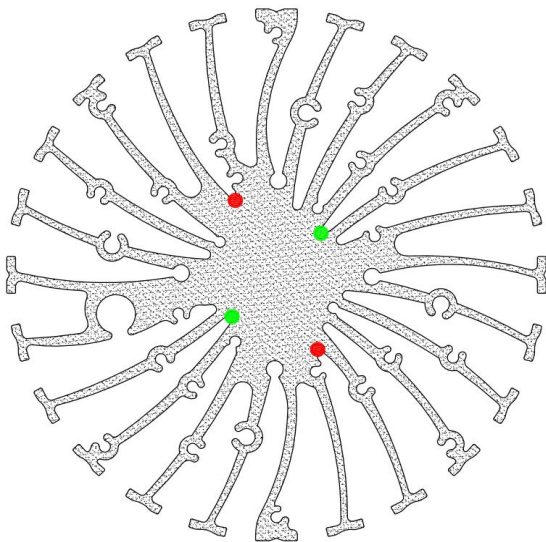
LED



EtraLED

EtraLED-VOS-11050 Vossloh-Schwabe Modular Passive Star LED Heat Sink Φ 110mm

VS LIGHTING SOLUTIONS



Vossloh-Schwabe LED engines for which Zhaga book3 LED Modules holders are available.

For the LUGA C 2015 LED engines.
(AAG.STUCCHI holder:8101-G2); (BJB holder:47.319.2021.50);

- DMC118C27E;
- DMC118C30E;
- DMC118C30EB;
- DMC118C35E;
- DMC118C40E;
- DMC118C50E;
- DMC118B50E;

For the LUGA Shop 2014 PCB LED engines and the holder.

- DMS158C27E1;
- DMS158C30E1;
- DMS158C35E1;
- DMS158C40E1;
- DMS128C27E1;
- DMS128C30E1;
- DMS128C35E1;
- DMS128C40E1;

For the LUGA Shop 2014 PCB PW LED engines and the holder.

- DMS128D31EP1;
- DMS158D31EP1;

For the LUGA Shop 2014 PCB HiCRI LED engines and the holder.

- DMS158D27E1;
- DMS158D30E1;
- DMS158D35E1;
- DMS158D40E1;
- DMS128D27E1;
- DMS128D30E1;
- DMS128D35E1;
- DMS128D40E1;

For the LUGA Shop 2014 PCB PW LED engines and the holder.

- DMS128D31EP1;
- DMS158D31EP1;

For the LUGA Shop 2014 PCB FOOD LED engines and the holder.

- DMS158G30E1;
- DMS158G40E1;
- DMS158P40E1;
- DMS158P19E1;

Zhaga Book3 Red indicator marks:
Direct mounting with machine screws M3x8mm;

Please refer to the "www.vossloh-schwabe.com" data provided on the manual.



for

LED



EtraLED

EtraLED-VOS-11050 Vossloh-Schwabe Modular Passive Star LED Heat Sink Φ 110mm

Mounting Options and Drawings & Dimensions

Example: EtraLED -VOS-11050-B-3

Example: EtraLED -VOS-110 **1** - **2** - **3**

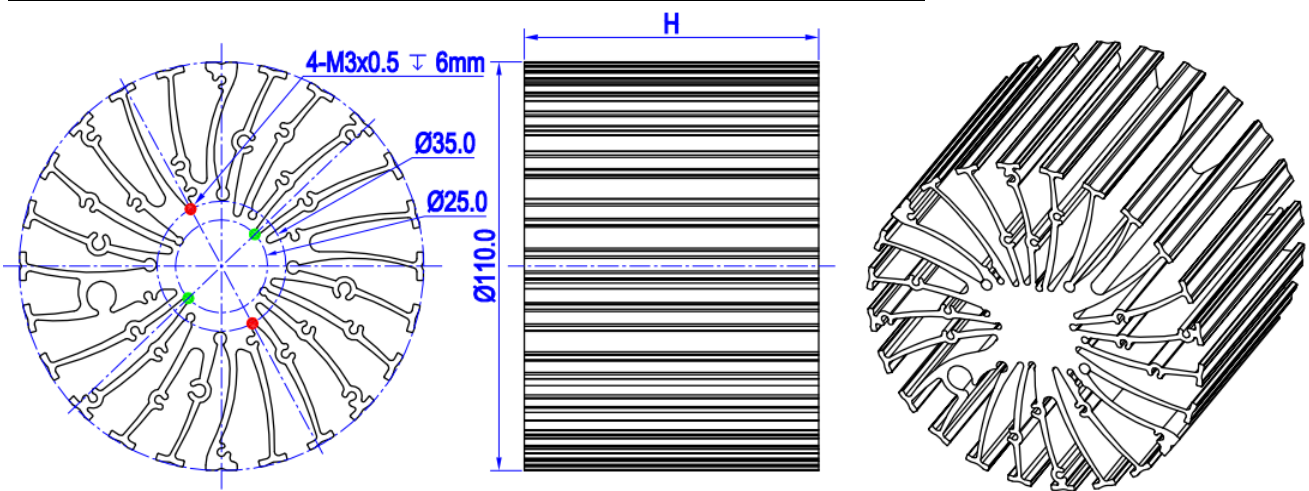
- 1** Height (mm)
- 2** Anodising Color
B-Black
C-Clear
Z-Custom
- 3** Mounting Options - see graphics for details Combinations available
Ex.order code - 12
means option 1 and 2 combined



Notes:

- Mentioned models are an extraction of full product range.
- For specific mechanical adaptations please contact MingfaTech.
- MingfaTech reserves the right to change products or specifications without prior notice.

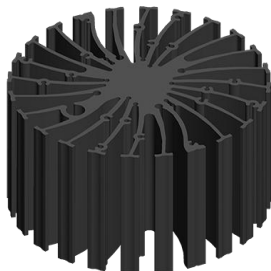
MOUNTING OPTION	Module type	Holder NO.	THREAD	THREAD DEPTH	THREAD HOLE DISTANCE
1	LUGA C	BJB (47.319.6060.50)	M3	8mm	25.0mm/ 2-@180°
		AAG.STUCCHI (8100-G2)			
2	LUGA C	BJB (47.319.2021.50)	M3	8mm	35.0mm/ 2-@180°
		AAG.STUCCHI (8101-G2)			
	LUGA Shop 2014 PCB	Vossloh-Schwabe			
	LUGA Shop 2014	/			



EtraLED

EtraLED-VOS-11050 Vossloh-Schwabe Modular Passive Star LED Heat Sink Φ110mm

The thermal data table

	 <i>EtraLED-11050</i>
Model No.	EtraLED-VOS-11050
Size	Φ110xH50mm
Material	AL6063-T5
Finish	Black Anodized
Weight(gr)	414.0
Thermal Wattage	48.0W
HeatsinkΘs-a²	124084
Heat Sink T Rise Above Ambient	1.1

Dissipated Power Pd(W)	Pd = Pe x (1-ηL)	Heat sink to ambient thermal resistance Rhs-amb (°C/W)	Heat sink to ambient temperature rise Ths-amb (°C)
		EtraLED-VOS-11050	EtraLED-VOS-11050
5		3.4	17.5
15		1.43	21.5
20		1.32	26.4
25		1.21	30.3
30		1.32	39.6
35		1.2	40.3
40		1.15	45
45		1.1	48.5
50		1.05	52.5

