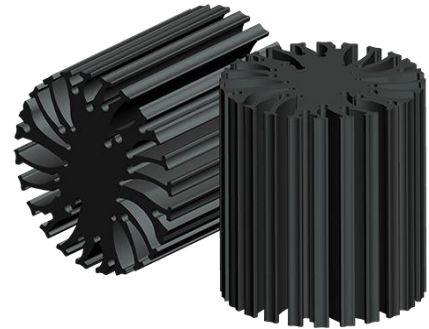


EtraLED

EtraLED-OSR-4850 Osram Modular Passive Star LED Heat Sink Φ 48mm

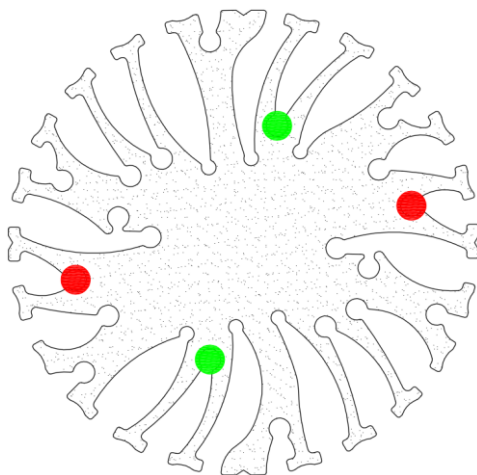
Features VS Benefits

- * The EtraLED-OSR-4850 Osram Modular Passive Star LED Heat Sinks are specifically designed for luminaires using the Osram LED engines.
- * Mechanical compatibility with direct mounting of the LED engines to the LED cooler and thermal performance matching the lumen packages.
- * For spotlight and downlight designs from 600 to 1400 lumen.
- * Thermal resistance range Rth 4.2°C/W.
- * Modular design with mounting holes foreseen for direct mounting of Osram SOLERIQ P6, SOLERIQ S13 and PrevaLED Core LED engines.
- * Diameter 48mm - standard height 50mm Other heights on request.
- * Extruded from highly conductive aluminum.



Zhaga LED engine and radiator assembly is a unified future international standardization

- * Below you find an overview of Osram COB's and LED modules which standard fit on the EtraLED Star LED Heat Sinks.
- * In this way mechanical after work and related costs can be avoided, and lighting designers can standardize their designs on a limited number of Star LED Heat Sinks.



Osram LED Modules Mounting Options

For the Osram PrevaLED Core Z3 LED modules.

- PL-CORE -1100-830-Z3;
- PL-CORE -1100-840-Z3;

Zhaga Book3 Red indicator marks:

Direct mounting with machine screws M3x8mm;

For the Osram SOLERIQ P6 modules.

- GW MAEGB1.EM-QPQS-27S3;
- GW MAEGB1.EM-QQQT-30S3;
- GW MAEGB1.EM-QQQT-35S3;
- GW MAEGB1.EM-QRQU-40S3;
- GW MAEGB1.EM-QRQU-40S3;

- GW MAEGB1.CM-PTQQ-27S3;
- GW MAEGB1.CM-PUQR-30S3;
- GW MAEGB1.CM-PUQR-35S3;
- GW MAEGB1.CM-QPQS-40S3;

Zhaga Book11 Green indicator marks:

BJB holder:47.319.6190.50; AAG.STUCCHI holder:8500-G2;

Direct mounting with machine screws M3x8mm;

For the Osram SOLERIQ S13 modules.

- GW KAGHB1.EM-RRRU-27H3;
- GW KAGHB1.EM-RSRU-30H3;
- GW KAGHB1.EM-RSRU-35H3;
- GW KAGHB1.EM-RTSP-40H3;
- GW KAGHB1.EM-RTSP-50H3;
- GW KAGHB1.EM-RTSP-57H3;
- GW KAGHB1.EM-RTSP-65H3;

- GW KAGHB1.CM-RQRT-27H3;
- GW KAGHB1.CM-RRRT-30H3;
- GW KAGHB1.CM-RSRU-40H3;

Zhaga Book11 Green indicator marks:

BJB holder:47.319.6111.50;

Direct mounting with machine screws M3x8mm;

EtraLED

EtraLED-OSR-4850 Osram Modular Passive Star LED Heat Sink Φ 48mm

Mounting Options and Drawings & Dimensions

Example: EtraLED-OSR-4850-B-3

Example: EtraLED-OSR-48 **1** - **2** - **3**

1 Height (mm)

2 Anodising Color

B-Black

C-Clear

Z-Custom

3 Mounting Options - see graphics for details Combinations available

Ex.order code - 12

means option 1 and 2 combined

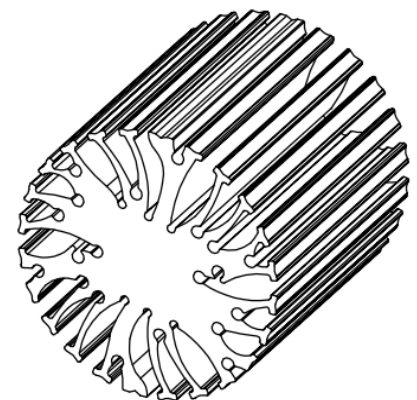
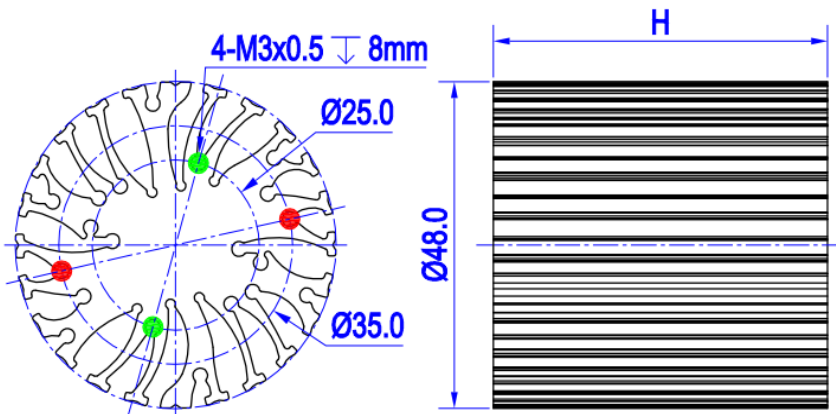
Notes:

- Mentioned models are an extraction of full product range.
- For specific mechanical adaptations please contact MingfaTech.
- MingfaTech reserves the right to change products or specifications without prior notice.



STUCCHI
ideas are made of light

MOUNTING OPTION	Module type	Holder NO.	THREAD	THREAD DEPTH	THREAD HOLE DISTANCE
1	SOLERIQ P6	AAG.STUCCHI (8500-G2)	M3	8mm	25.0mm/ 2-@180°
		BJB (47.319.6190.50)			
	SOLERIQ S13	BJB (47.319.6111.50)			
2	PrevaLED Core	/	M3	10mm	35.0mm/ 2-@180°



EtraLED

EtraLED-OSR-4850 Osram Modular Passive Star LED Heat Sink Φ48mm

The thermal data table

	 <i>EtraLED-4850</i>
Model No.	EtraLED-OSR-4850
Size	Φ48xH50mm
Material	AL6063-T5
Finish	Black Anodized
Weight(gr)	134.0
Thermal Wattage	12.0W
HeatsinkOs-a²	36868
Heat Sink T Rise Above Ambient	4.2

Dissipated Power Pd(W)	Pd = Pe x (1-ηL)	Heat sink to ambient thermal resistance Rhs-amb (°C/W)	Heat sink to ambient temperature rise Ths-amb (°C)
		EtraLED-OSR-4850	EtraLED-OSR-4850
2.5		5.6	14
4.5		5.3	24
7.0		4.6	32
9.5		4.3	41
12.0		4.1	49
18.0		3.7	65

