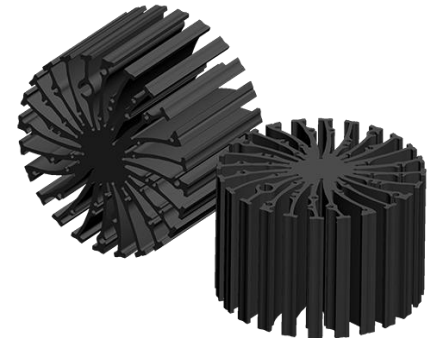


EtraLED

EtraLED-OSR-130100 Osram Modular Passive Star LED Heat Sink Φ 130mm

Features VS Benefits

- * The EtraLED-OSR-130100 Osram Modular Passive Star LED Heat Sinks are specifically designed for luminaires using the Osram LED engines.
- * Mechanical compatibility with direct mounting of the LED engines to the LED cooler and thermal performance matching the lumen packages.
- * For spotlight and downlight designs from 3500 to 8700 lumen.
- * Thermal resistance range R_{th} 0.65°C/W.
- * Modular design with mounting holes foreseen for direct mounting of Osram SOLERIQ P9, SOLERIQ S13 and SOLERIQ S19 LED engines.
- * Diameter 130mm - standard height 100mm Other heights on request.
- * Extruded from highly conductive aluminum.



Zhaga LED engine and radiator assembly is a unified future international standardization

- * Below you find an overview of Osram COB's and LED modules which standard fit on the EtraLED Star LED Heat Sinks.
- * In this way mechanical after work and related costs can be avoided, and lighting designers can standardize their designs on a limited number of Star LED Heat Sinks.



Osram LED Modules Mounting Options

For the Osram SOLERIQ S19 LED modules.

GW KAHNB1.CM-TSTU-27S3;
 GW KAHNB1.CM-TSTU-30S3;
 GW KAHNB1.CM-TTUP-35S3;
 GW KAHNB1.CM-TUUC-40S3;
 GW KAHNB1.EM-TUUC-27S3;
 GW KAHNB1.EM-TUUC-30S3;
 GW KAHNB1.EM-UPUR-35S3;
 GW KAHNB1.EM-UPUS-40S3;

Zhaga Book3 Green indicator marks:

BJB holder:47.319.2170.50;

AAG.STUCCHI holder:8503-G2;

Direct mounting with machine screws M3x6mm;

For the Osram SOLERIQ P13 modules.

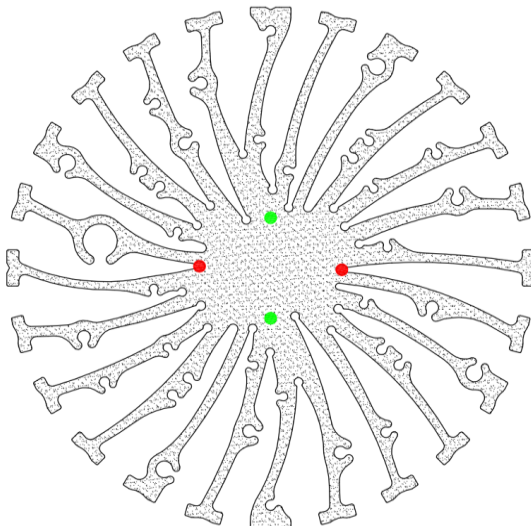
GW MAGMB1.CM-SUTR-27S3;
 GW MAGMB1.CM-TPTS-30S3;
 GW MAGMB1.CM-TPTS-35S3;
 GW MAGMB1.CM-TQTT-40S3;
 GW MAGMB1.EM-TQTT-27S3;
 GW MAGMB1.EM-TRTU-30S3;
 GW MAGMB1.EM-TSUP-35S3;
 GW MAGMB1.EM-TSUP-40S3;
 GW MAGMB1.EM-TSUP-50S3;

Zhaga Book3 Green indicator marks:

BJB holder:47.319.2131.50;

IDEAL holder:50-2101CR;

Direct mounting with machine screws M3x6mm;



EtraLED

EtraLED-OSR-130100 Osram Modular Passive Star LED Heat Sink Φ 130mm

Mounting Options and Drawings & Dimensions

Example: EtraLED-OSR-130100-B-3

Example: EtraLED-OSR-130 **1** - **2** - **3**

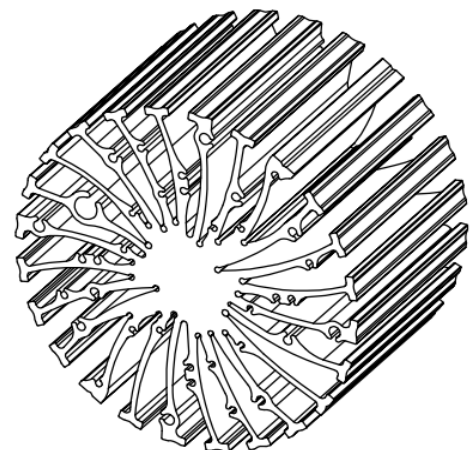
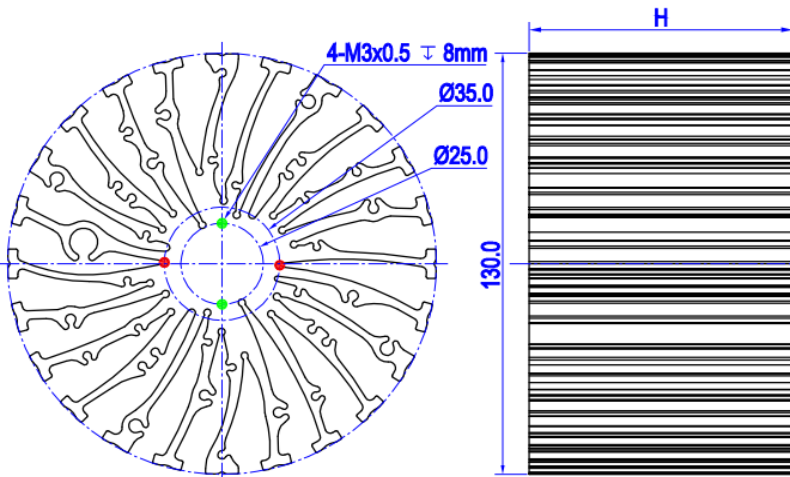
- 1** Height (mm)
- 2** Anodising Color
B-Black
C-Clear
Z-Custom
- 3** Mounting Options - see graphics for details Combinations available
Ex.order code - 12
means option 1 and 2 combined



Notes:

- Mentioned models are an extraction of full product range.
- For specific mechanical adaptations please contact MingfaTech.
- MingfaTech reserves the right to change products or specifications without prior notice.

| MOUNTING OPTION | Module type | Holder NO. | THREAD | THREAD DEPTH | THREAD HOLE DISTANCE |
|-----------------|----------------------|-----------------------|--------|--------------|----------------------|
| 1 | SOLERIQ P9 | AAG.STUCCHI (8501-G2) | M3 | 8mm | 25.0mm/ 2-@180° |
| | | BJB (47.319.6200.50) | | | |
| 2 | SOLERIQ S13 | BJB (47.319.6111.50) | M3 | 8mm | 35.0mm/ 2-@180° |
| | | AAG.STUCCHI (8503-G2) | | | |
| | BJB (47.319.2170.50) | | | | |
| | SOLERIQ P13 | BJB (47.319.2131.50) | | | |
| | PrevaLED Core | / | | | |



EtraLED

EtraLED-OSR-130100 Osram Modular Passive Star LED Heat Sink Φ 130mm

The thermal data table

| | |
|---|--|
| |  |
| | <i>EtraLED-130100</i> |
| Model No. | EtraLED-OSR-130100 |
| Size | Φ130xH100mm |
| Material | AL6063-T5 |
| Finish | Black Anodized |
| Weight(gr) | 1384.0 |
| Thermal Wattage | 76.2W |
| HeatsinkΘs-a² | 304263 |
| Heat Sink T Rise Above Ambient | 0.65 |

| Pd = Pe x (1- η L) | Heat sink to ambient thermal resistance Rhs-amb ($^{\circ}$ C/W) | Heat sink to ambient temperature rise Ths-amb ($^{\circ}$ C) |
|----------------------------|---|---|
| | EtraLED-OSR-130100 | EtraLED-OSR-130100 |
| 15 | 1.20 | 18.0 |
| 25 | 1.00 | 25.0 |
| 30 | 0.95 | 28.5 |
| 40 | 0.75 | 30.0 |
| 50 | 0.70 | 35.0 |
| 55 | 0.68 | 37.4 |
| 65 | 0.67 | 43.6 |
| 75 | 0.65 | 48.8 |

