



for

LED

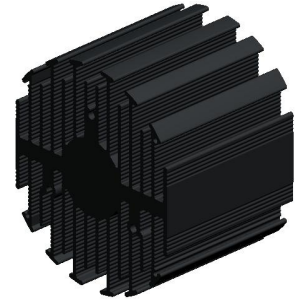


eLED

eLED-NIC-7050 Nichia Modular Passive Star LED Heat Sink Φ 70mm

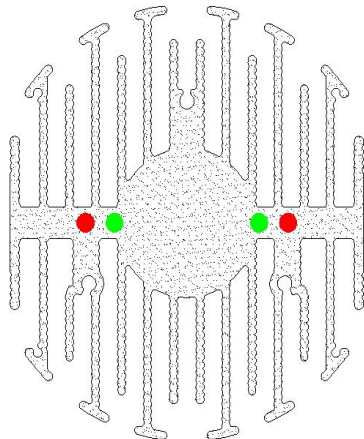
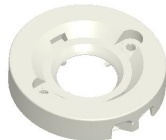
Features VS Benefits

- * The eLED-NIC-7050 Nichia Modular Passive Star LED Heat Sinks are specifically designed for luminaires using the Nichia LED engines.
- * Mechanical compatibility with direct mounting of the LED engines to the LED cooler and thermal performance matching the lumen packages.
- * For spotlight and downlight designs from 1000 to 2600 lumen.
- * Thermal resistance range R_{th} 2.18°C/W.
- * Modular design with mounting holes foreseen for direct mounting of Nichia COB LED engines.
- * Diameter 70mm - standard height 50mm Other heights on request.
- * Extruded from highly conductive aluminum.



Zhaga LED engine and radiator assembly is a unified future international standardization

- * Below you find an overview of Nichia engines COB's and LED modules which standard fit on the eLED Star LED Heat Sinks.
- * In this way mechanical after work and related costs can be avoided, and lighting designers can standardize their designs on a limited number of LED Star LED Heat Sinks.



Nichia LED engines Mounting Options.

Nichia COB LED modules name:

NJCWS024Z;
NJCLS024Z;

Zhaga Book11 Holders:

BJB holder:47.319.6180.50;
A.A.G Stucchi holder:8300/G2
Direct mounting with machine screws M3x8mm;
Green indicator marks

Nichia COB LED modules name:

NFCWL036B;
NFCLL036B;
NFCWL060B;
NFCLL060B;

Zhaga Book3 connector:

Ideal Holder:50-2100NC;
TE Connectivity:2213382-2
Mounting with machine screws M3x8mm;
Red indicator marks



eLED

eLED-NIC-7050 Nichia Modular Passive Star LED Heat Sink Φ 70mm

Mounting Options and Drawings & Dimensions

Example: eLED-NIC-7050-B-1,2

Example: eLED-NIC-70 **1** - **2** - **3**

1 Height (mm)

2 Anodising Color

B-Black

C-Clear

Z-Custom

3 Mounting Options - see graphics for details Combinations available

Ex.order code - 12

means option 1 and 2 combined

Notes:

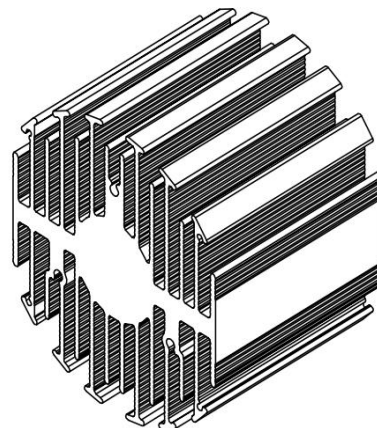
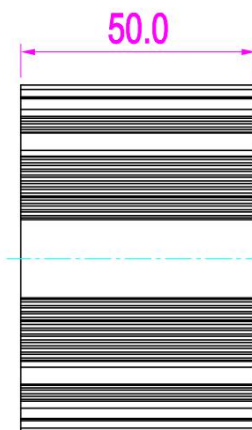
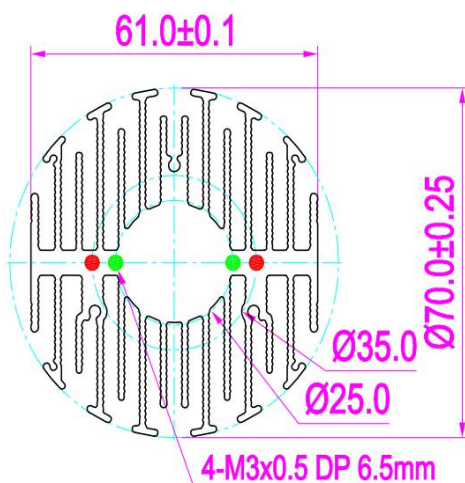
- Mentioned models are an extraction of full product range.

- For specific mechanical adaptations please contact MingfaTech.

- MingfaTech reserves the right to change products or specifications without prior notice.



MOUNTING OPTION	Module type	Holder NO.	THREAD	THREAD DEPTH	THREAD HOLE DISTANCE
N	/	None	None	None	None
1	NJCWS024Z; NJCLS024Z;	BJB (47.319.6180.50)	M3	6.5mm	25.0mm/ @180°
		A.A.G Stucchi (8300/G2)			
2	NFCWL036B; NFCLL036B; NFCWL060B; NFCLL060B;	Ideal Holder: (50-2100NC)	M3	6.5mm	35.0mm/ @180°
		TE Connectivity: (2213382-2)			



Tel:+86-769-39023131
 E-fax:+86-(020)28819702 ext:22122
 Email:sales@mingfatech.com
 Http://www.heatsinkled.com
 Http://www.mingfatech.com



eLED

eLED-NIC-7050 Nichia Modular Passive Star LED Heat Sink Φ 70mm

The thermal data table

	
	<i>eLED-7050</i>
Model No.	eLED-NIC-7050
Size	Φ 70xH50mm
Material	AL6063-T5
Finish	Black Anodized
Weight(gr)	206
Thermal Wattage	22.9W
HeatsinkOs-a²	73369
Heat Sink T_{Rise Above Ambient}	2.18

Dissipated Power Pd(W)	Heat sink to ambient thermal resistance Rhs-amb (°C/W)	
	eLED-NIC-7050	
5	3.40	17
10	2.80	28
15	2.70	37
20	2.25	45
25	2.16	54

